



2021 HEAVY DUTY BODY BUILDER



Release Date 3/15/21

MODEL MODEL
389 567

This page is intentionally left blank.

BODY BUILDER MANUAL CONTENTS

SECTION 1: INTRODUCTION

SECTION 2: SAFETY AND COMPLIANCE

SAFETY SIGNALS	2-1
FEDERAL MOTOR VEHICLE SAFETY STANDARDS AND COMPLIANCE	2-2
NOISE AND EMISSIONS REQUIREMENTS	2-3
FUEL SYSTEM	2-4
COMPRESSED AIR SYSTEM	2-5
EXHAUST AND EXHAUST AFTER-TREATMENT SYSTEM	2-5
COOLING SYSTEM	2-6
ELECTRICAL SYSTEMS	2-7
AIR INTAKE SYSTEM	2-9
CHARGE AIR COOLER SYSTEM	2-9
BENDIX WINGMAN FUSION 2.0 RADAR CLEARANCE	2-9
BENDIX WINGMAN FUSION 2.9 RADAR CLEARANCE	2-10
GENERAL WIRE ROUTING	2-10
SAFETY RELATED COMPONENTS AND SYSTEMS	2-11

SECTION 3: DIMENSIONS

INTRODUCTION	3-1
ABBREVIATIONS	3-1
OVERALL DIMENSIONS	3-1
Model 579-124 SBFA	3-2
Model 579-118 SBFA	3-3
Model 567-115 SFFA	3-4
Model 567-121 SFFA	3-5
Model 567-115 SBFA	3-6
Model 567-121 SBFA	3-7
Model 389-131	3-8
Model 389-123	3-9
Model 367-123 SBFA	3-10
Model 367-123 SBFA 10" Extended Day Cab	3-11
Model 367-123 SBFA HH	3-12
Model 367-123 SBFA HH 10" Extended Day Cab	3-13
Model 367-123 SBFA HH FEPTO	3-14
Model 365-115 SFFA	3-15
Model 365-115 SBFA	3-16
Model 365-115 SBFA 31" FEPTO	3-17
Model 365-115 SBFA 22" FEPTO	3-18
SLEEPERS	3-19
CAB – 1.9M CAB FAMILY	3-20
EXTENDED CAB – 1.9M CAB FAMILY	3-21
FRAME RAILS	3-22
FRAME HEIGHT CHARTS	3-23
REAR FRAME HEIGHTS "C"	3-26
REAR SUSPENSION LAYOUTS	3-30
LIFT AXLES (PUSHERS AND TAGS)	3-42
AXLE TRACK AND TIRE WIDTH	3-45
FRONT DRIVE AXLE, PTO'S AND AUXILIARY TRANSMISSIONS	3-47
GUPPY OUTSERTS	3-50
EXHAUST HEIGHT CALCULATIONS	3-54
GROUND CLEARANCE CALCULATIONS	3-55
OVERALL CAB HEIGHT CALCULATIONS	3-56
FRAME COMPONENTS	3-57
FRAME SPACE REQUIREMENTS	3-59

TABLE OF CONTENTS

389 FAMILY 2021 EMISSIONS	3-70
567/579 FAMILY 2021 EMISSIONS	3-92
SECTION 4: BODY MOUNTING	
INTRODUCTION	4-1
FRAME RAILS	4-1
CRITICAL CLEARANCES	4-2
BODY MOUNTING USING BRACKETS	4-3
BODY MOUNTING USING U-BOLTS	4-7
SECTION 5: FRAME MODIFICATIONS	
INTRODUCTION	5-1
DRILLING RAILS	5-1
MODIFYING FRAME LENGTH	5-1
CHANGING WHEELBASE	5-1
CROSSMEMBERS	5-2
TORQUE REQUIREMENTS	5-3
WELDING	5-3
SECTION 6: CONTROLLER AREA NETWORK (CAN) COMMUNICATIONS	
INTRODUCTION	6-1
SAE J1939	6-2
PARAMETER GROUP NUMBER	6-2
SUSPECT PARAMETER NUMBER	6-2
CAN MESSAGES AVAILABLE ON BODY CONNECTIONS	6-3
SECTION 7a: ELECTRICAL 579 FAMILY	
INTRODUCTION	7-1
ELECTRICAL ACRONYM LIBRARY	7-1
ELECTRICAL WIRING CIRCUIT CODES	7-2
MULTIPLEX SYSTEM	7-3
ELECTRICAL COMPONENT OVERVIEW	7-4
ELECTRICAL HARNESS OVERVIEW	7-5
IN CAB CAN BASED MESSAGING CONNECTOR	7-6
BODY CONNECTION POINTS	7-7
ELECTRIC ENGAGED EQUIPMENT	7-10
OPTIONAL 8 PIN PTO INPUT CONNECTOR	7-10
REMOTE THROTTLE AND REMOTE PTO CONTROLS	7-11
DUAL STATION CONTROLS	7-16
POWER DISTRIBUTION CENTER	7-20
CHASSIS MODULE	7-23
FUSE GROUPS	7-25
ELECTRIC OVER AIR SOLENOIDS	7-27
SWITCHES	7-29
SWITCH RELEARN PROCESS	7-30
GROUNDING	7-32
SPARE POWER	7-33
JUNCTION BOX	7-36
TRANSMISSION BACK UP SIGNALS	7-37
SNOW PLOW LIGHTING	7-37
LIFT AXLES	7-38
DIGITAL DISPLAY	7-39
GAUGES	7-40
TELLTALE ICONS	7-40
TELLTALE CONNECTOR LOCATIONS	7-41

TABLE OF CONTENTS

SECTION 7b: ELECTRICAL 389 FAMILY

INTRODUCTION	7-42
ELECTRICAL ACRONYM LIBRARY	7-42
ELECTRICAL WIRING CIRCUIT CODES	7-43
MULTIPLEX SYSTEM	7-44
ELECTRICAL COMPONENT OVERVIEW	7-45
ELECTRICAL HARNESS OVERVIEW	7-46
IN CAB CAN BASED MESSAGING CONNECTOR	7-47
BODY CONNECTION POINTS	7-48
ELECTRIC ENGAGED EQUIPMENT	7-51
OPTIONAL 8 PIN PTO INPUT CONNECTOR	7-51
REMOTE THROTTLE AND REMOTE PTO CONTROLS	7-52
DUAL STATION CONTROLS	7-57
MAIN POWER DISTRIBUTION CENTER	7-61
CHASSIS MODULE	7-64
ELECTRIC OVER AIR SOLENOIDS	7-66
SWITCHES	7-68
SWITCH RELEARN PROCESS	7-69
GROUNDING	7-71
SPARE POWER	7-72
TRANSMISSION BACKUP SIGNALS	7-75
TELLTALE ICONS	7-76
TELLTALE CONNECTOR LOCATIONS	7-77
LIFT AXLES	7-78
GAUGES	7-79
COMMON TERMINALS AND PINS FOR BODY BUILDER CONNECTIONS	7-80

SECTION 8: POWER TAKE OFF (PTO)

INTRODUCTION	8-1
PTO ACRONYM LIBRARY	8-1
TRANSMISSION MOUNTED PTO	8-2
FRONT ENGINE PTO	8-9
REAR ENGINE PTO	8-10
PTO MOUNTING CLEARANCE	8-11
MX PTO MODE CONTROL (PMC)	8-15
MX PTO MODE FEATURES	8-16
MX PTO MODE PROTECTIONS AND LIMITS	8-16
MX PTO SPEED CONTROL (PSC) FEATURES	8-17
MX PTO SPEED CONTROL INTERLOCKS	8-18
REMOTE PMC CONNECTIONS	8-19
PTO MODE CONTROL FLOW CHARTS	8-20
MX PTO TROUBLESHOOTING GUIDE	8-21

SECTION 9: AFTERTREATMENT SYSTEM

INTRODUCTION	9-1
DEF SYSTEM SCHEMATIC	9-1
GENERAL GUIDELINES FOR DEF SYSTEM	9-3
INSTALLATION REQUIREMENTS AND DIMENSIONS FOR DEF SYSTEM	9-3
ROUTING TO THE DOSING MODULE (INJECTOR)	9-4
DEF SUPPLY MODULE MOUNTING REQUIREMENTS	9-5

TABLE OF CONTENTS

SECTION 10: ROUTING

INTRODUCTION	10-1
DEFINITIONS	10-1
ROUTING REQUIREMENTS	10-2
ROUTING OF WIRES AND HOSES NEAR EXHAUST SYSTEM	10-4

SECTION 1 INTRODUCTION



The Peterbilt Heavy Duty Body Builder Manual was designed to provide body builders with a comprehensive information set to guide the body planning and installation process. Use this information when installing bodies or other associated equipment.

This manual contains appropriate dimensional information, guidelines for mounting bodies, modifying frames, electrical wiring information, and other information useful in the body installation process.

The Peterbilt Heavy Duty Body Builder Manual can be very useful when specifying a vehicle, particularly when the body builder is involved in the vehicle selection and component ordering process. Information in this manual will help reduce overall costs through optimized integration of the body installation with vehicle selection. Early in the process, professional body builders can often contribute valuable information that reduces the ultimate cost of the body installation.

In the interest of continuing product development, Peterbilt reserves the right to change specifications or products at any time without prior notice. It is the responsibility of the user to ensure that he is working with the latest released information. Check Peterbilt.com for the latest released version.

If you require additional information or reference materials, please contact your local Peterbilt dealer.

This page is intentionally left blank.

SECTION 2 SAFETY AND COMPLIANCE

SAFETY SIGNALS

There are a number of alerting messages in this book. Please read and follow them. They are there for your protection and information. These alerting messages can help you avoid injury to yourself or others and help prevent costly damage to the vehicle.

Key symbols and “signal words” are used to indicate what kind of message is going to follow. Pay special attention to comments prefaced by “WARNING”, “CAUTION”, and “NOTE.” Please do not ignore any of these alerts.

WARNINGS, CAUTIONS, AND NOTES

WARNING



When you see this word and symbol, the message that follows is especially vital. It signals a **potentially hazardous situation** which, if not avoided, could result in death or serious injury. This message will tell you what the hazard is, what can happen if you do not heed the warning, and how to avoid it.

Example:

WARNING! Be sure to use a circuit breaker designed to meet lift-gate amperage requirements. An incorrectly specified circuit breaker could result in an electrical overload or fire situation. Follow the lift-gate installation instructions and use a circuit breaker with the recommended capacity.

CAUTION



Signals a **potentially hazardous situation** which, if not avoided, could result in minor or moderate injury or damage to the vehicle.

Example:

CAUTION: Never use a torch to make a hole in the rail. Use the appropriate drill bit.

NOTE



Provides general information: for example, the note could warn you on how to avoid damaging your vehicle or how to drive the vehicle more efficiently.

Example:

Note: Be sure to provide maintenance access to the battery box and fuel tank fill neck.

Please take the time to read these messages when you see them, and remember:

WARNING

Indicates a potentially hazardous situation which, if not avoided, could result in death or serious injury.

CAUTION

Signals a potentially hazardous situation which, if not avoided, could result in minor or moderate injury or damage to the vehicle.

NOTE

Useful information that is related to the topic being discussed.

FEDERAL MOTOR VEHICLE SAFETY STANDARDS COMPLIANCE

As an Original Equipment Manufacturer, Peterbilt Motors Company, ensures that our products comply with all applicable U.S. or Canadian Federal Motor Vehicle Safety Standards. However, the fact that this vehicle has no fifth wheel and that a Body Builder (Intermediate or Final Stage Manufacturer) will be doing additional modifications means that the vehicle was incomplete when it left the build plant.

INCOMPLETE VEHICLE CERTIFICATION

An Incomplete Vehicle Document is shipped with the vehicle, certifying that the vehicle is not complete. [See Figure 2-1.](#) In addition, affixed to the driver's side door frame or edge is an Incomplete Vehicle Certification label. [See Figure 2-2.](#)

NOTE



These documents list the U.S. or Canadian Federal Motor Vehicle Safety Standard regulations that the vehicle complied with when it left the build plant. You should be aware that if you add, modify or alter any of the components or systems covered by these regulations, it is your responsibility as the Intermediate or Final Stage Manufacturer to ensure that the complete vehicle is in compliance with the particular regulations upon completion of the modifications.

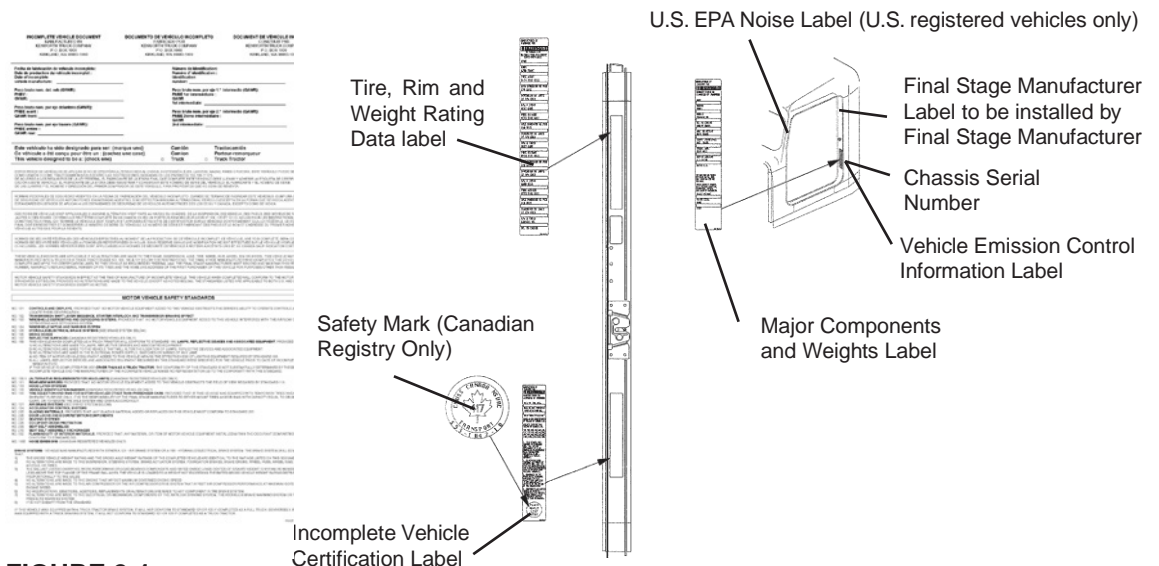


FIGURE 2-1.
Incomplete Vehicle
Certification Document

FIGURE 2-2. Locations of Certification
Labels - Driver's Door and Frame

As the Intermediate or Final Stage Manufacturer, you should retain the Incomplete Vehicle Document for your records. In addition, you should record and retain the manufacturer and serial number of the tires on the vehicle. Upon completion of the vehicle (installation of the body and any other modifications), you should affix your certification label to the vehicle as required by Federal law. This tag identifies you as the "Intermediate or Final Stage Manufacturer" and certifies that the vehicle complies with Federal Motor Vehicle Safety Standards. (See Figure 2-2.) Be advised that regulations affecting the intermediate and final stage manufacturer may change without notice. Ensure you are referencing the most updated copy of the regulation during the certification and documentation processes.

In part, if the final stage manufacturer can complete and certify the vehicle within the instruction in the incomplete vehicle document (IVD), the certification label would need a statement that reads, "This vehicle has been completed in accordance with the prior manufacturers IVD where applicable. This vehicle conforms to all applicable Federal Motor Vehicle Safety Standards [and Bumper and Theft Prevention Standards if applicable] in effect in (month, year)."

However, if the vehicle cannot be completed and certified within the guidance provided in the IVD, the final stage manufacturer must ensure the vehicle conforms to all applicable Federal Motor Vehicle Safety Standards (FMVSS). The final stage manufacturer's certification label would need a statement that reads, "This vehicle conforms to all applicable Federal Motor Vehicle Safety Standards [and Bumper and Theft Prevention Standards if applicable] in effect in (month, year).

These statements are just part of the certification regulation. Please refer to NHTSA/DOT Title 49 CFR part 567 certification for all of the details related to this regulation.

For Canadian final stage manufacturers see:

<http://www.gazette.gc.ca/index-eng.html>; and
<http://www.tc.gc.ca/eng/acts-regulations/menu.htm> for the regulations.

Or contact: Transport Canada
Tower C, Place de Ville, 330 Sparks Street
Ottawa, Ontario K1A 0N5 (613) 990-2309
TTY: 1-888-675-6863

NOISE AND EMISSIONS REQUIREMENTS

NOTE



This truck may be equipped with specific emissions control components/systems in order to meet applicable Federal and California noise and exhaust emissions requirements. Tampering with these emissions control components/systems is against the rules that are established by the U.S Code of Federal Regulations, Environment Canada Regulations and California Air Resources Board (CARB). These emissions control components/systems may only be replaced with original equipment parts.

Additionally, most vehicles in North America will be equipped with a Greenhouse Gas (GHG) "Vehicle Emission Control Information" door label indicating its certified configuration. The vehicle components listed on this label are considered emission control devices.

Modifying (i.e. altering, substituting, relocating) any of the emissions control components/systems defined above will affect the noise and emissions performance/certification. Modifications that alter the overall shape and aerodynamic performance of a tractor will also affect the emission certification. If modifications are required, they must first be approved by the manufacturer. Unapproved modifications could negatively affect emissions performance/certification. There is no guarantee that proposed modifications will be approved.

Tires may be substituted provided the new tires possess a Coefficient of rolling resistance (Crr) equal to or lower than Crr of the original tires. Consult with your tire supplier(s) for appropriate replacement tires.

Contact the engine manufacturer for any requirements and restrictions **prior** to any modifications.

- For Cummins Contact 1-800-DIESELS or your local Cummins distributor. Reference AEB 21.102.

It is possible to relocate the DEF tank; however the relocation requirements in section 9 of this manual need to be followed. Any variances from the relocation requirements may cause the emissions control components/systems to operate improperly potentially resulting in engine de-rate.

NOTE

All 2017 engine emissions certified vehicles will be equipped with an On-Board Diagnostics (OBD) system. The OBD system is designed to detect malfunctions of any engine or vehicle component that may increase exhaust emissions or interfere with the proper performance of the OBD system itself.

All diesel engines will be equipped with an On-Board Diagnostics (OBD) system. The OBD system consists of computer program on one or more of the vehicle's Electronic Control Units (ECUs). This program uses information from the control system and from additional sensors to detect malfunctions. When a malfunction is detected, information is stored in the ECU(s) for diagnostic purposes. A Malfunction Indicator Light (MIL) is illuminated in the dash to alert the driver of the need for service of an emission-related component or system.

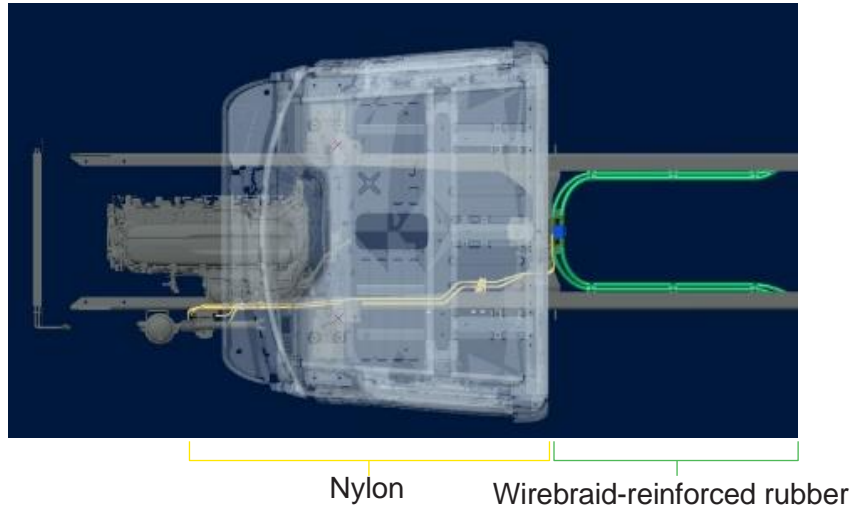
To ensure compliance to emissions regulations, the final configuration of certain features of the completed vehicle must meet specific requirements. This section describes requirements relevant for only the most common or critical modifications done by body builders. For a complete description of acceptable modifications, see the application guidance available from the manufacturer of the engine installed in the chassis.

FUEL SYSTEM

The following are highlights of some of the more common or critical aspects of this system.

The overall system restriction may not exceed the restriction limitations set forth by the engine manufacturer for both supply and return.

- Ensure that fuel lines are not pinched or can potentially be damaged when installed between body and frame
- Fuel lines must be routed and secured without dips or sags
- There must be easy access to filter(s) and fill cap
- The tank vent may not obstructed
- Added accessories (heaters, generators) cannot introduce air into system
- Fuel tank must be located so that the full level is not above cylinder head
- "Ultra-Low Sulfur Fuel Only" labels must be present on the dash and fuel fill
- Modification of the pressure side secondary filter and plumbing is not allowed without engine manufacturer approval
- Body installation of fuel tank or routing of lines must not cause significant increase in fuel temperature
- Fuel hoses shall meet or exceed OEM supplied hose material construction specifications
- Formed nylon fuel lines with quick-connects are installed underneath the cab and hood along the frame rail. Behind the cab from the fuel tee to tanks are wirebraid-reinforced rubber lines. Supply and return fittings are poka-yoked to prevent incorrect assembly.



COMPRESSED AIR SYSTEM

The following are highlights of some of the more common or critical aspects of this system.

- Air system modification must meet applicable FMVSS regulations
- Compressed air tank may not be modified (exception – addition or removal of fittings or relocation of the tank)
- Added devices or bodywork may not interfere with or rub air lines
- Air supply to the engine doser may not be restricted or disconnected
- Air lines should be routed, protected from heat, and properly secured to prevent damage from other components
- Care should be taken so that air lines do not rub against other components
- Care should be taken to protect the air system from heat sources.

EXHAUST AND EXHAUST AFTER-TREATMENT SYSTEM

The following are highlights of some of the more common or critical aspects of this system.

- The following after-treatment and exhaust system components may not be modified:
 - DPF/SCR Assembly
 - Exhaust pipes between the engine and after-treatment devices (DPF, SCR Catalyst) and between after-treatment devices
 - NOx Sensors
 - PM Sensor
- The following modifications may only be done within the guidelines outlined in Section 9 of this manual:
 - Modifications to Diesel Exhaust Fluid (DEF) throttle, suction, or pressure lines
 - Modification or relocation of the DEF tank
 - Modification of coolant lines to and from the DEF tank
- All DEF and coolant lines should be routed, protected, and properly secured to prevent damage during vehicle operation or other components
- The after-treatment canister mounting may not be modified

- The NOx sensor may not be relocated or altered in any way; this includes re-clocking the after-treatment canister or reorienting the sensor(s)
- Exhaust pipes used for tailpipes/stacks must be properly sized, and must prevent water from entering
- Ensure adequate clearance between the exhaust and body panels, hoses, and wire harnesses
- The body in the vicinity of the DPF must be able to withstand temperatures up to 400°C (750°F)
- Do not add thermal insulation to the external surface of the DPF
- The after-treatment canister water drain hole may not be blocked
- Allow adequate clearance (25mm (1 inch)) for servicing the DPF sensors, wiring, and clamped joints
- Drainage may not come in contact with after-treatment canister, sensors or wiring
- Allow sufficient clearance for removing sensors from DPF. Thermistors require four inches. Other sensors require one inch
- Wiring should be routed, protected from heat, and properly secured to prevent damage from other components
- The exhaust system from an auxiliary power unit (APU) must not be connected to any part of the vehicle after-treatment system or vehicle tail pipe.

COOLING SYSTEM

The following are highlights of some of the more common or critical aspects of this system.

- Modifications to the design or locations of fill or vent lines, heater or defroster core, and surge tank are not recommended
- Additional accessories plumbed into the engine cooling system are not permitted, at the risk of voiding vehicle warranty
- Coolant level sensor tampering will void warranty
- When installing auxiliary equipment in front of the vehicle, or additional heat exchangers, ensure that adequate air flow is available to the vehicle cooling system. Refer to engine manufacturer application guidelines for further detail
- When installing FEPTO drivelines, the lower radiator anti-recirculation seal must be retained with FEPTO driveline clearance modification only
- Changes made to cooling fan circuit and controls are not allowed, with the exception of AC minimum fan on time parameter
- See owner's manual for appropriate winter front usage

ELECTRICAL SYSTEM

The following are highlights of some of the more common or critical aspects of this system.

- Electrical harnesses providing battery power and electronic control signals to engine and emissions control/vehicle OBD components including datalinks may not be spliced. These emissions control/vehicle OBD components include the following:
 - throttle pedal
 - vehicle speed sensor
 - after-treatment wiring
 - 9-pin OBD Connector
 - CAN Communication / OBD wiring
- If the alternator or battery is substituted, it must meet the requirements of the engine manufacturer's guidelines. This includes alternator ground voltage drop and alternator ground cable effectiveness. See the engine manufacturer's guidelines for recommended test procedure. Additionally the maximum voltage differential and the peak-peak voltage differential between the engine ECM block ground stud and battery negative terminal may not exceed 500 mV under any combination of loads or operating conditions.
- Only an OBD compliant battery disconnect switch may be installed on vehicles equipped EPA 2013 and beyond compliant diesel engines. An OBD compliant switch and harness, even in the off position, shall supply a small amount of power to the engine controller and enable certain emissions critical functions (e.g. DEF line purge). Any modifications to the electrical system which interrupt this power supply will cause OBD fault codes and illumination of the MIL. In addition, such a modification will render the engine non-compliant with certain emission regulations. As a general rule of thumb, you can remove and replace a battery disconnect switch on a truck equipped with a battery disconnect switch at the factory. However, if a battery disconnect switch was not installed in the factory a significant harness modification is required before a battery disconnect switch can be added.
- Installation of aftermarket transfer-cases must address the vehicle speed sensor position. The standard position of the speed sensor is at the transmission tail shaft. When a transfer-case is added it is best to relocate the sensor to the axle side output shaft of the transfer-case. This is typically accomplished by adding a tone wheel into the driveline yoke assembly.
- Wiring extensions for the after-treatment wiring are available for relocating the DEF tank from your dealer via Paccar Parts. For relocation of DEF tank, refer to the after-treatment section of this manual.
- The emission system requires an accurate Outside Air Temperature (OAT) reading in order to properly run its control algorithms. The OAT sensor is located in the driver's side mirror assembly on Peterbilt trucks and is shown in the figure below. If the body builder needs to modify the mirror assembly in any way, it is important the OAT sensor stay positioned on the mirror assembly. Running the vehicle without the OAT sensor connected will cause the MIL lamp to illuminate. If needed, a replacement sensor can be ordered from your Peterbilt dealer.
- **WARNING! When jump starting using a battery charger/booster, verify that the battery charger/booster is set to the same jump start voltage and amperage specifications as the vehicle electrical system and batteries (i.e. if the vehicle electrical system is a 12 volt system, the jump start voltage on the battery charger/booster shall be set at no higher than a 12 volt setting). Failure to comply may cause an explosion and/or fire resulting in death, personal injury, equipment or property damage.**





FIGURE 2-3: Aerodynamic Mirror OAT Sensor Location

- Coolant Sensor considerations are given in the Cooling section above
- The OBD/Diagnostic connector port is located below the dash to the left of the steering wheel. This connector and its location may not be changed.
- All vehicles equipped with EPA 2013 and beyond compliant diesel and bi-fueled engines must be equipped with a Malfunction Indicator Lamp (MIL) lamp. This lamp is required to be an engine outline symbol as defined by ISO (International Standards Organization). The figure below shows the instrument cluster and MIL lamp position. Note this lamp location is fixed with respect to the controls and its location may not be changed if you are updating the warning lamp cards.

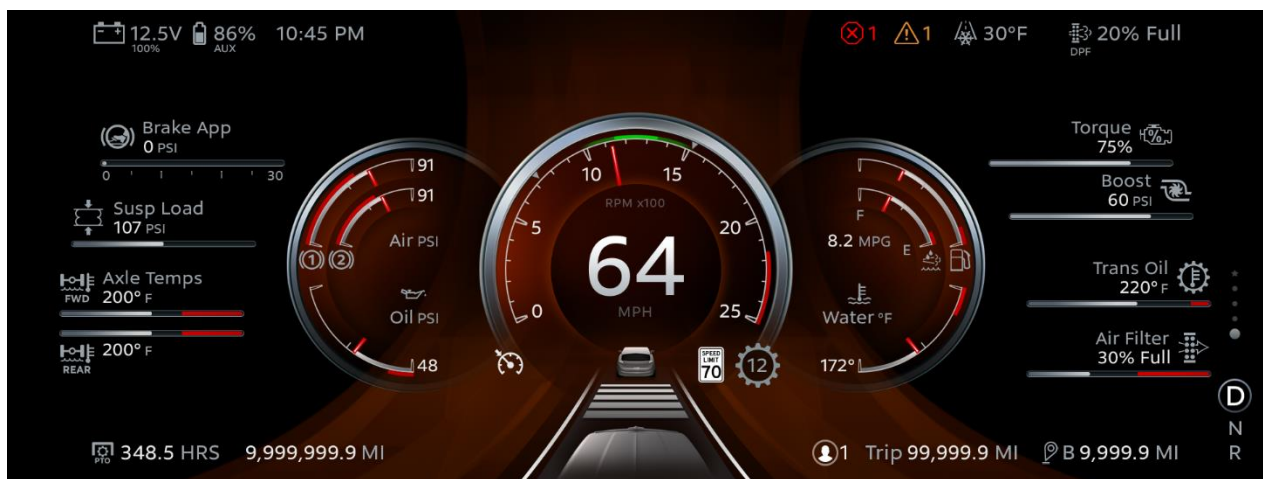




FIGURE 2-4: Digital Display for 579/567.

The Check Engine lamp  and/or the MIL  will appear in the Driver Information Display. See 579/567 Operator's Manual for more information.

- In addition to the gauges and lamps above, the emission system also depends on signals from the after-treatment canister and NOx sensor. Wiring between these devices, the doser and engine ECM should not be tampered with or altered in any way. De-rate information is available in the engine after-treatment system operator manual supplement.

AIR INTAKE SYSTEM

The following are highlights of some of the more common or critical aspects of this system.

- The air intake screen may not be blocked, either fully or partially
- Modification to the air intake system may not restrict airflow. For example, pipe diameter may not be reduced
- All sensors must be retained in existing locations
- To retain system seal, proper clamp torque must be used. Refer to service manual for proper clamp torque

CHARGE AIR COOLER SYSTEM

The following are highlights of some of the more common or critical aspects of this system.

- The Charge Air Cooler may not be modified
- The installation of engine over-speed shutdown devices must not introduce restriction in the intake system
- All plumbing associated with the charge air cooler may not be modified

BENDIX WINGMAN FUSION 2.0 RADAR CLEARANCE

Some vehicles are equipped with the Bendix Wingman Fusion bumper mounted radar. When mounting cattle guards or other equipment to the front of the bumper, it is important to follow the manufacturers' guidelines for radar clearance. Please see the diagram below from Bendix SD-61-4963 to ensure proper clearance.

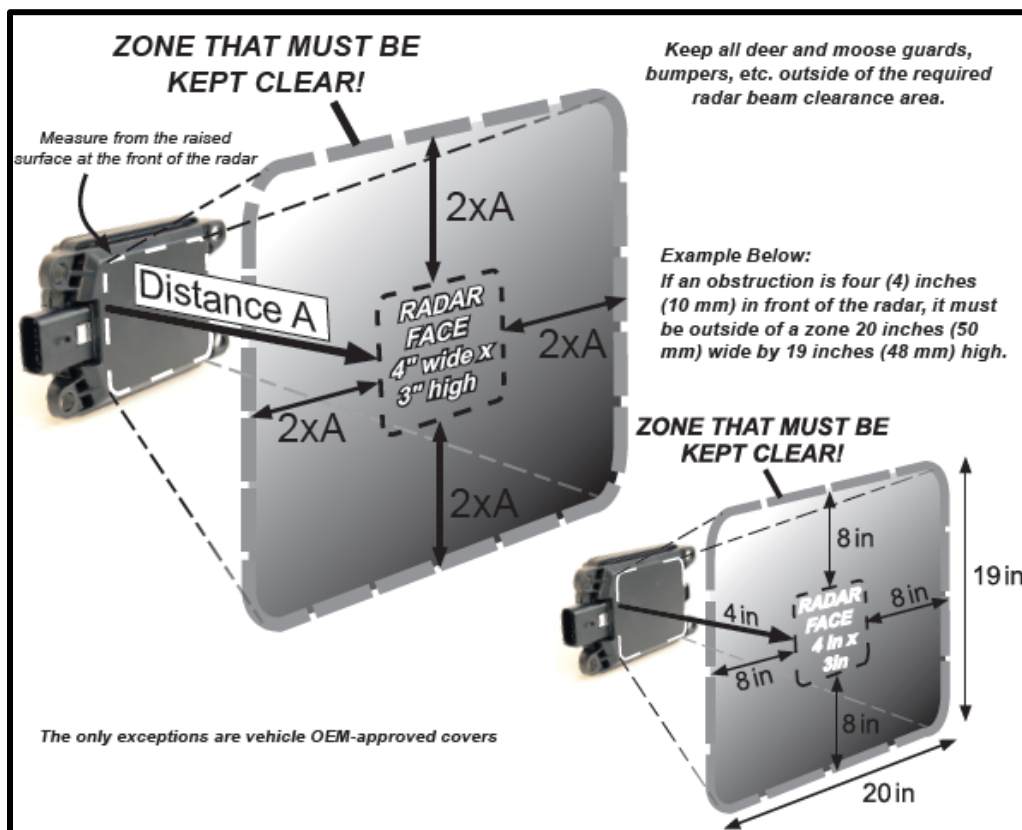
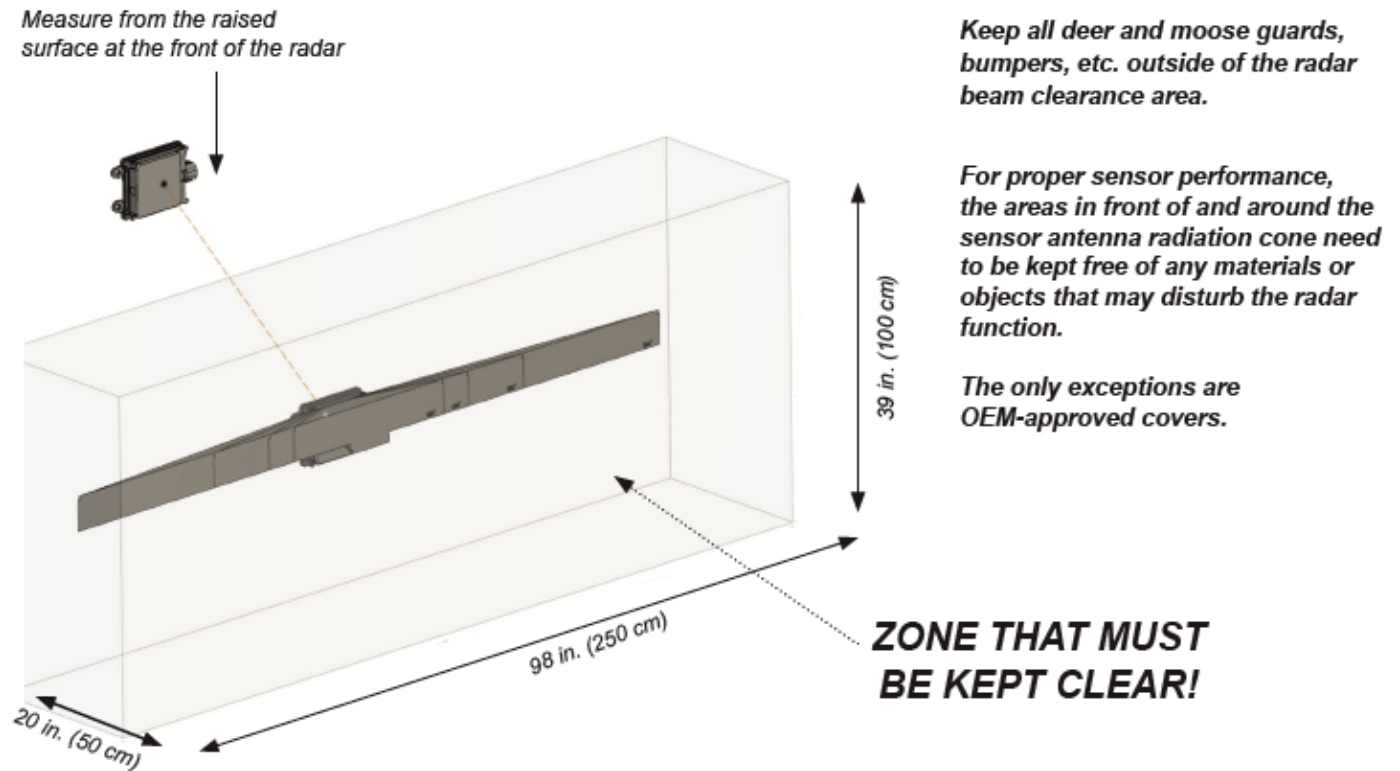


FIGURE 2-5: Fusion 2.0 Radar Clearance

BENDIX WINGMAN FUSION 2.9 RADAR CLEARANCE



NOTE: Drawing is representative only and not to scale. Dimensions are accurate.

FIGURE 2-6: Fusion 2.9 Radar Clearance (Bendix SD-29-50022)

Additional service documentation for the Wingman Fusion system can be found on the Bendix website in the document library: https://www.bendix.com/en/servicessupport/documentlibrary/doclib_1.jsp

GENERAL WIRE ROUTING

The following are highlights of some of the more common or critical aspects of this system.

- Whenever possible, battery cables, electrical wires, and wire harnesses should be secured by clamps attached to rigid components (for example, the engine, frame, bracket, etc.) or secured by tie straps fastened to other restrained lines at intervals not exceeding 460mm (18 in.).
- Battery cables, alternator cables, electrical wires, and wire harnesses routed on the chassis and engine should be covered by braided loom or convoluted tubing.
- At the clamping or tie points, battery cables, electrical wires, and wire harnesses should be covered by braided loom or convoluted tubing.

SAFETY RELATED COMPONENTS AND SYSTEMS

Upfitting and other modifications may change the compliance of an as-built vehicle. As such, Peterbilt will not support any modifications that affect the as-built compliance of a vehicle. These may include modifications to the following:

- **Stability Control Systems** –Stability Control parameters are matched specifically to chassis components and center of gravity of the body type. Chassis modifications or alterations to wheelbase, GAWR, GVWR, brakes, suspension and other components affect the Stability Control system. Therefore, modifications or alterations to chassis with factory-installed Stability Control Systems are not supported.

These include:

- Intended Service
- Body Type
- Wheelbase (reducing or increasing wheelbase)
- GAWR
- GVWR
- Brakes
- Suspension
- Lift Axles (removal or addition)
- Conversion of a truck to a tractor
- Factory installed Safety Systems - Factory installed Safety Systems will not be removed or inactivated
- Green House Gas Requirements

This page is intentionally left blank.

SECTION 3 DIMENSIONS

INTRODUCTION

This section has been designed to provide enough information to successfully layout a chassis in the body planning process. All dimensions are in inches unless otherwise noted. Optional equipment may not be depicted. Please contact your local Peterbilt dealer if more dimensional information is desired.

ABBREVIATIONS

Throughout this section and in other sections as well, abbreviations are used to describe certain characteristics on your vehicle. The chart below lists the abbreviated terms used.

TABLE 3-1. Abbreviations Used

CA	Cab to axle. Measured from the back of the cab to the centerline of the rear axle(s).
EOF	Frame rail overhang behind rear axle--measured from the centerline of tandems
FOF	Front of frame
FAX	Front Axle
BOC	Back of cab
SOC	Side of cab
WB	Wheelbase
BFA	Bumper to front axle. Measured from front of bumper centerline of front axle.
BBC	Bumper to back of cab Measured from front of bumper to back of cab.

OVERALL DIMENSIONS

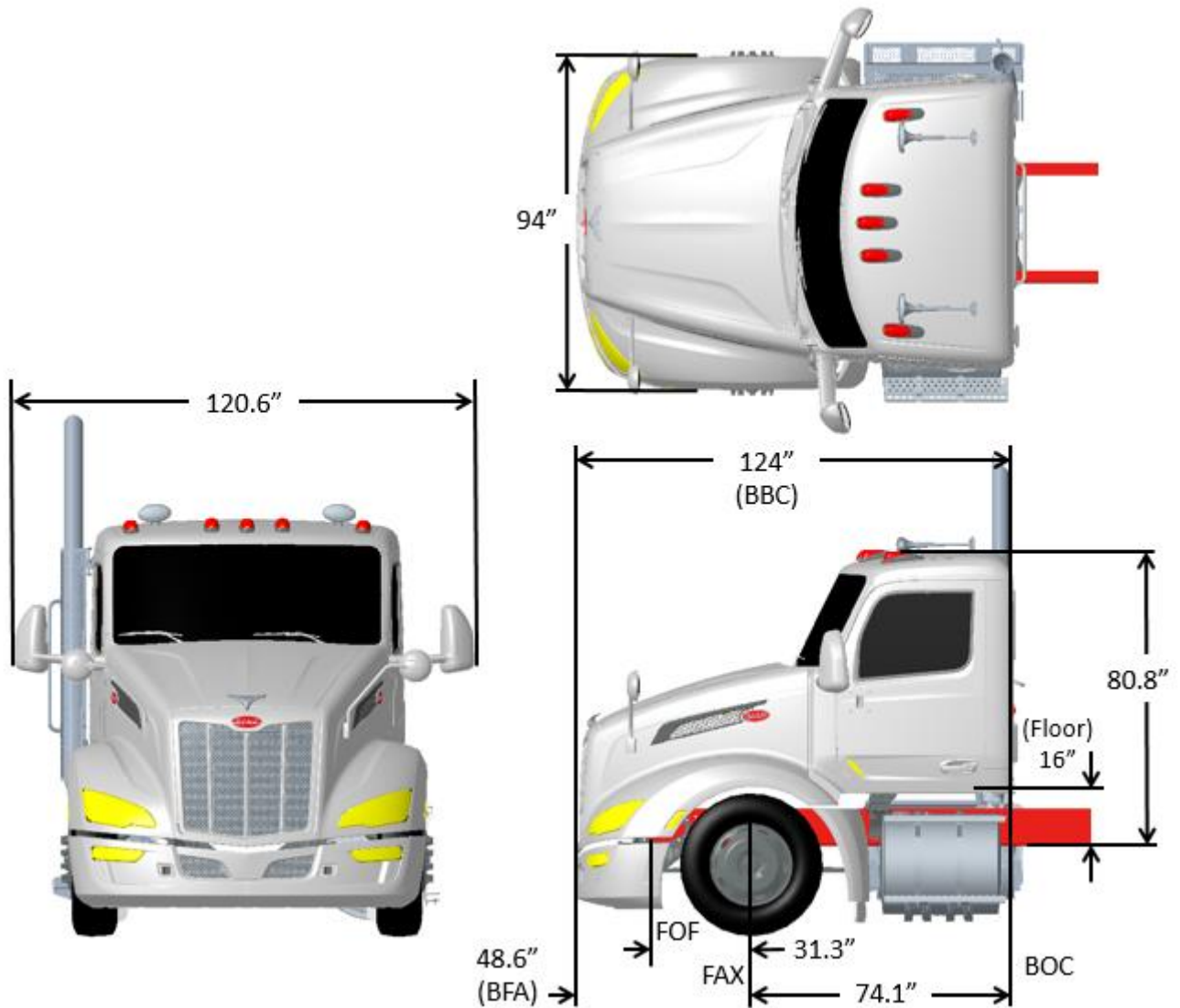
This section includes drawings and charts of the following Peterbilt Models: 579, 567, 389, 367, and 365. The Extended Rear Window, Extended Cab and Unibilt sleepers are also included.

On the pages that follow, detail drawings show particular views of each vehicle; all dimensions are in inches (in). They illustrate important measurements critical to designing bodies of all types. See the "Contents" at the beginning of the manual to locate the drawing that you need.

All heights are given from the bottom of the frame rail.

Peterbilt also offers .dxf files and frame layouts of ordered chassis prior to build. Please speak with your local dealership to request this feature when specifying your chassis.

Model 579-124 SBFA

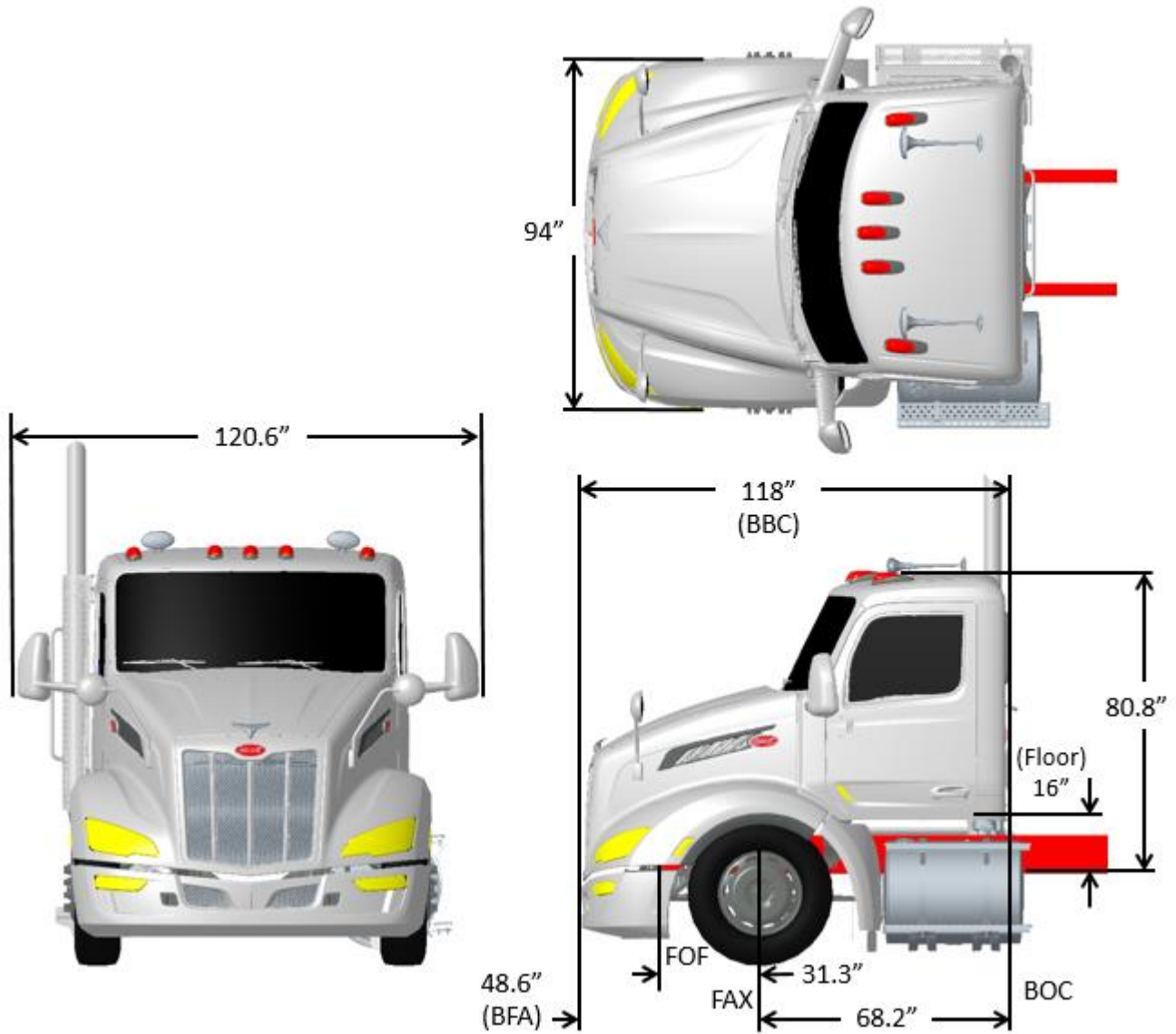


NOTES:

- 1) DIMENSIONS ARE FOR REFERENCE ONLY
- 2) DIMENSIONS ARE TO FRONT OF BUMPER

FIGURE 3-17. Model 579-124 SBFA – Overall Dimensions

Model 579-118 SBFA

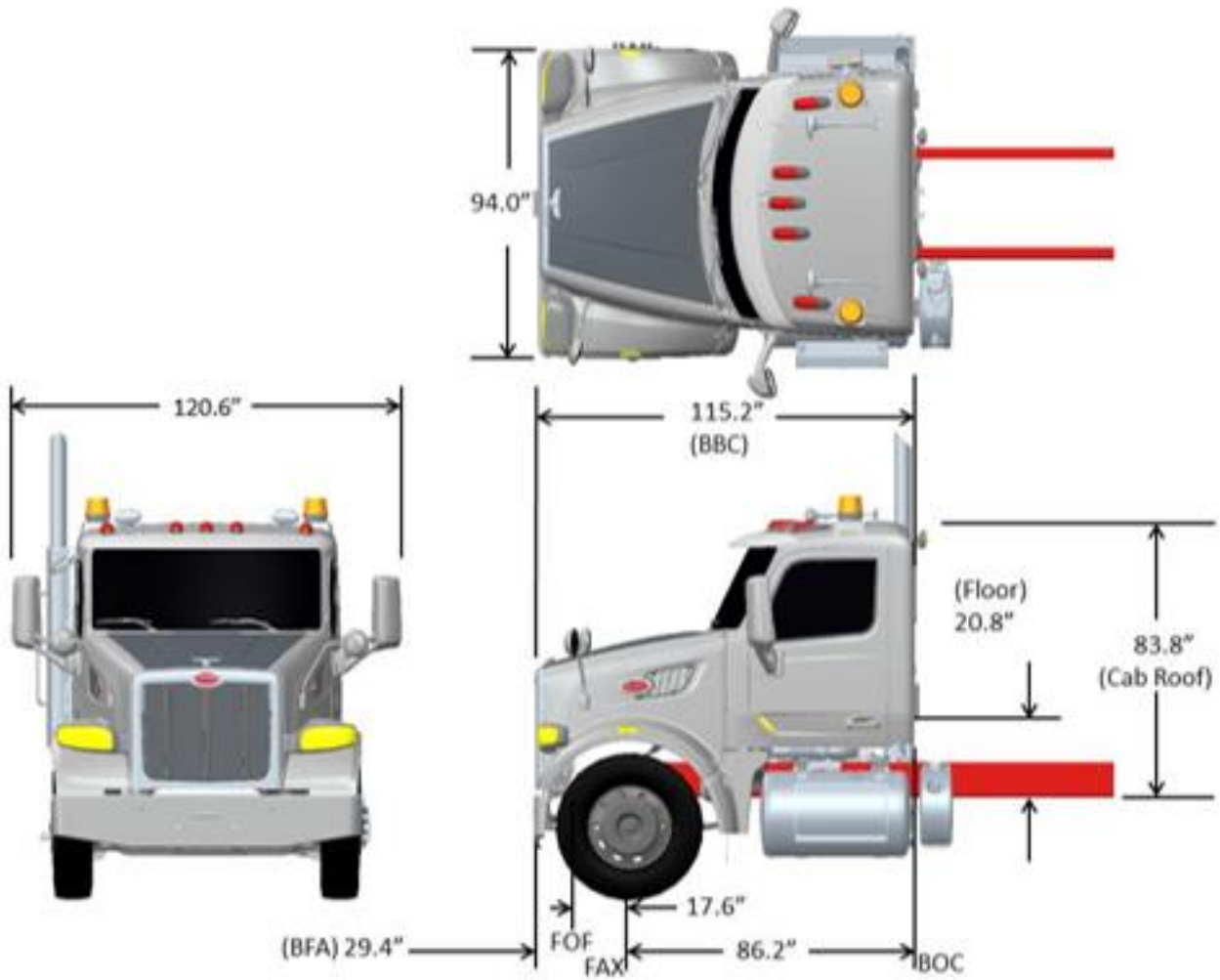


NOTES:

- 1) DIMENSIONS ARE FOR REFERENCE ONLY
- 2) DIMENSIONS ARE TO FRONT OF BUMPER

FIGURE 3-18. Model 579-118 SBFA Top & LH View – Overall Dimensions

Model 567-115 SFFA

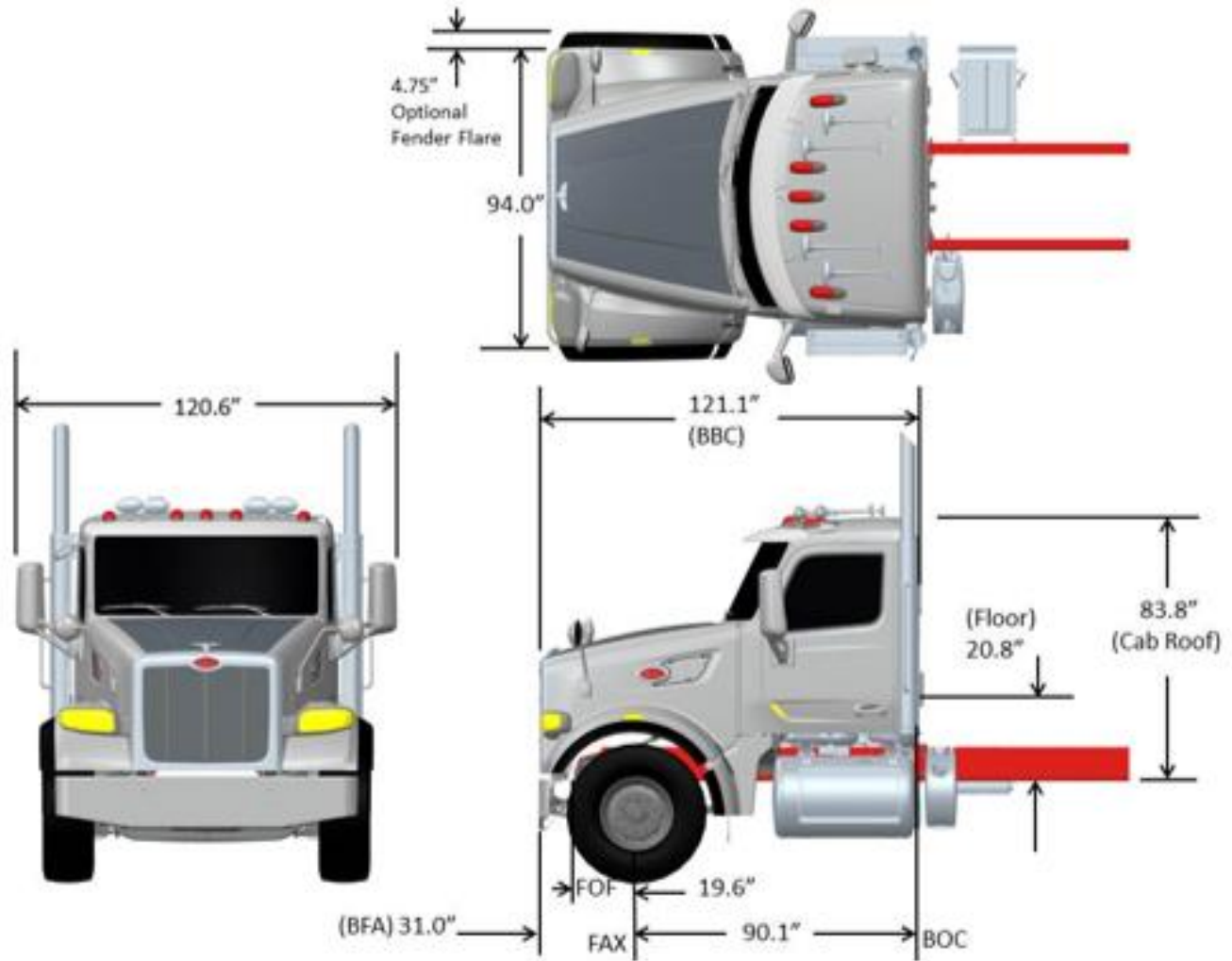


NOTES:

- 1) DIMENSIONS ARE FOR REFERENCE ONLY
- 2) DIMENSIONS ARE TO FRONT OF BUMPER

FIGURE 3-1. Model 567-115 SFFA – Overall Dimensions

Model 567-121 SFFA

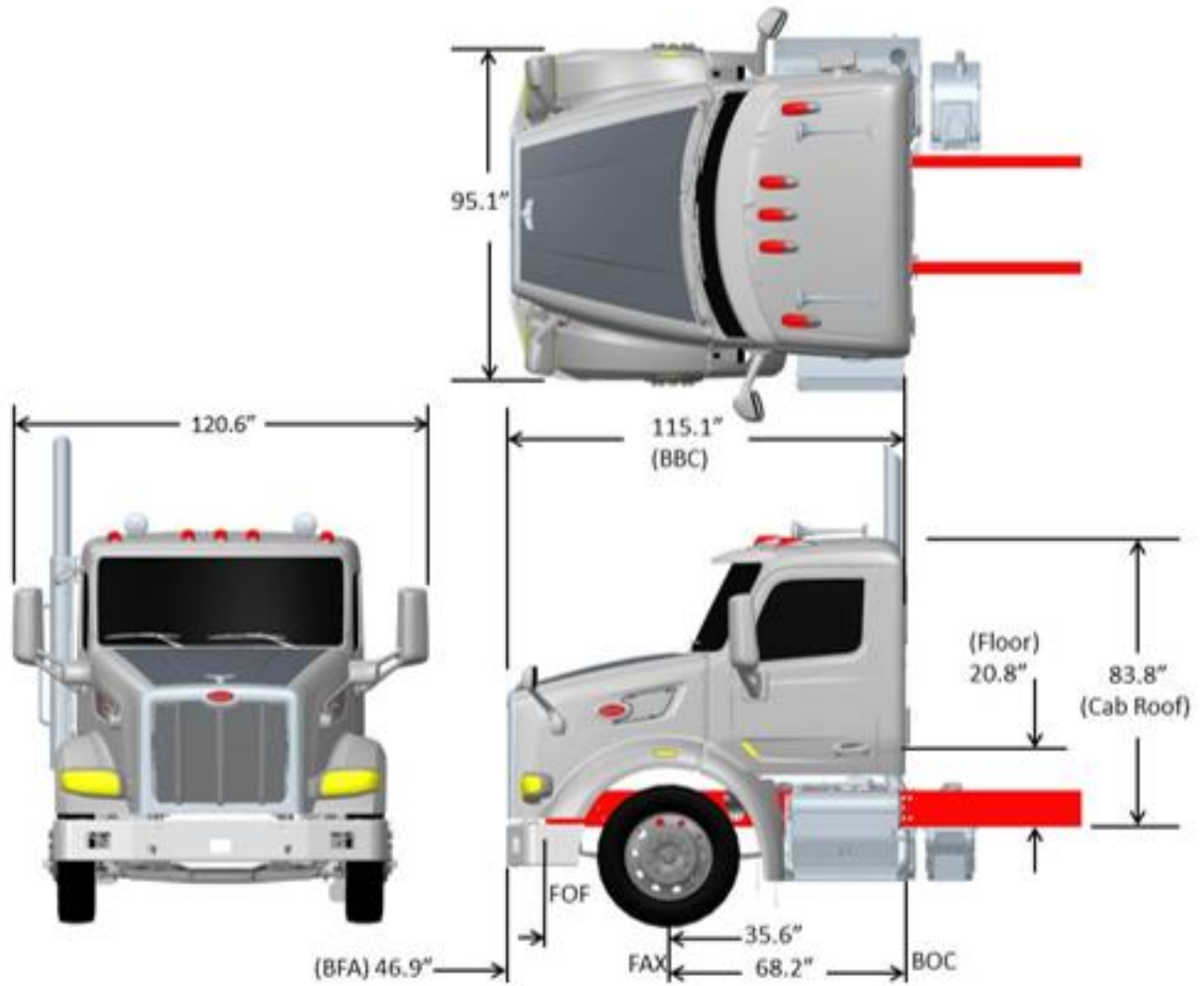


NOTES:

- 1) DIMENSIONS ARE FOR REFERENCE ONLY
- 2) DIMENSIONS ARE TO FRONT OF BUMPER

FIGURE 3-2. Model 567-121 SFFA – Overall Dimensions

Model 567-115 SBFA

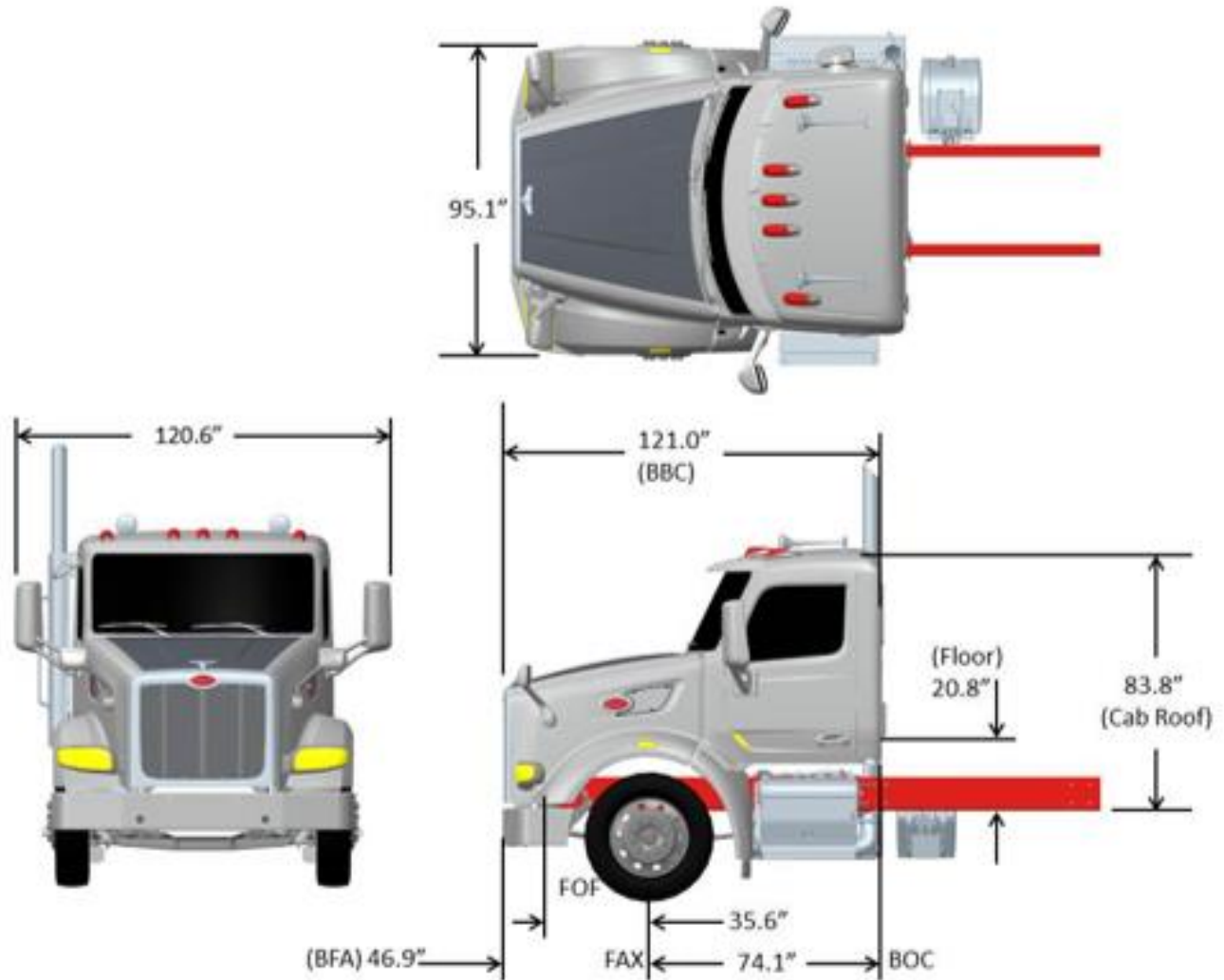


NOTES:

- 1) DIMENSIONS ARE FOR REFERENCE ONLY
- 2) DIMENSIONS ARE TO FRONT OF BUMPER

FIGURE 3-3. Model 567-115 SBFA – Overall Dimensions

Model 567-121 SBFA

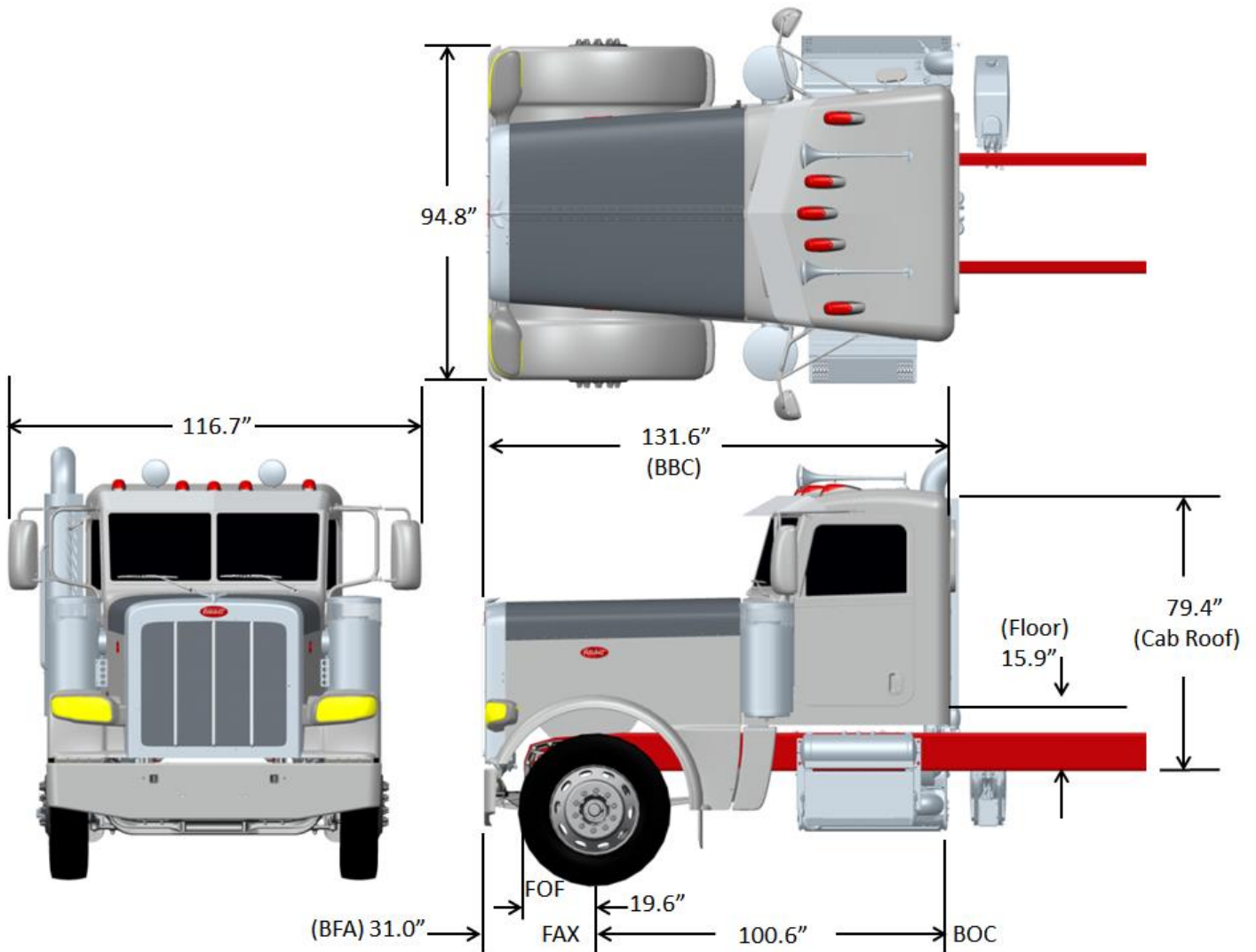


NOTES:

- 1) DIMENSIONS ARE FOR REFERENCE ONLY
- 2) DIMENSIONS ARE TO FRONT OF BUMPER

FIGURE 3-4. Model 567-121 SBFA – Overall Dimensions

Model 389-131

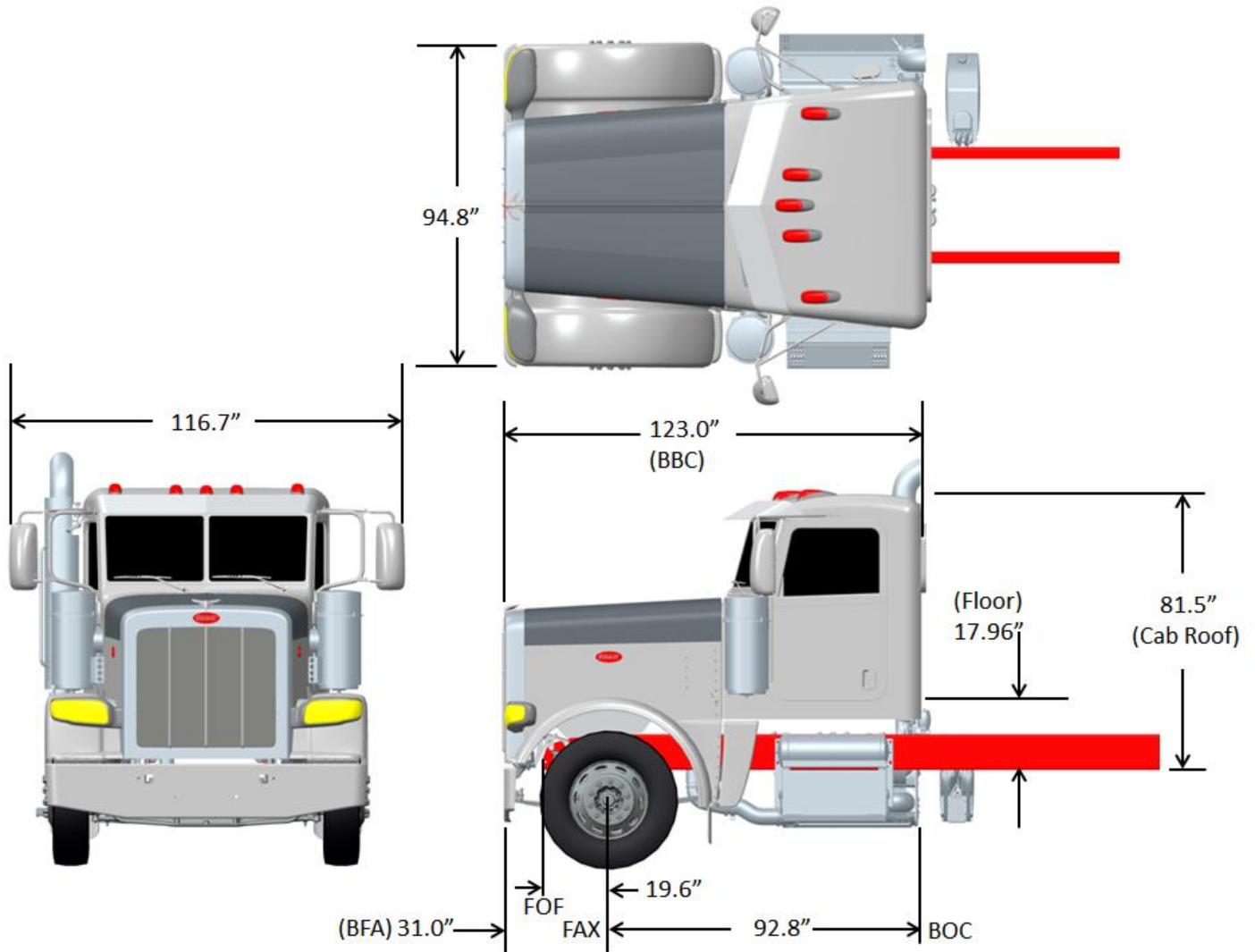


NOTES:

- 1) DIMENSIONS ARE FOR REFERENCE ONLY
- 2) DIMENSIONS ARE TO FRONT OF BUMPER

FIGURE 3-5. Model 389-131 Top & LH View – Overall Dimensions

Model 389-123

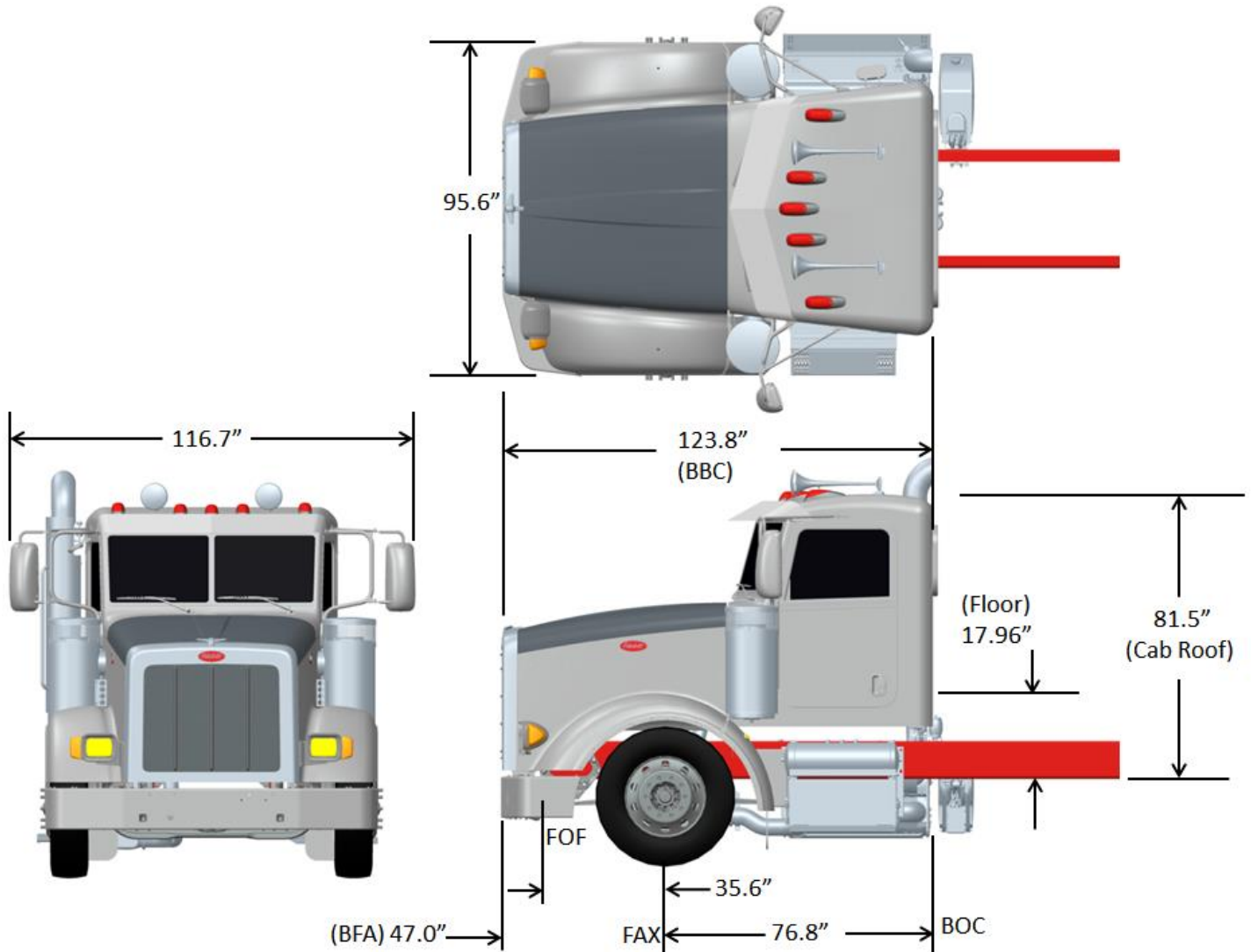


NOTES:

- 1) DIMENSIONS ARE FOR REFERENCE ONLY
- 2) DIMENSIONS ARE TO FRONT OF BUMPER

FIGURE 3-6. Model 389-123 Top & LH View – Overall Dimensions

Model 367-123 SBFA

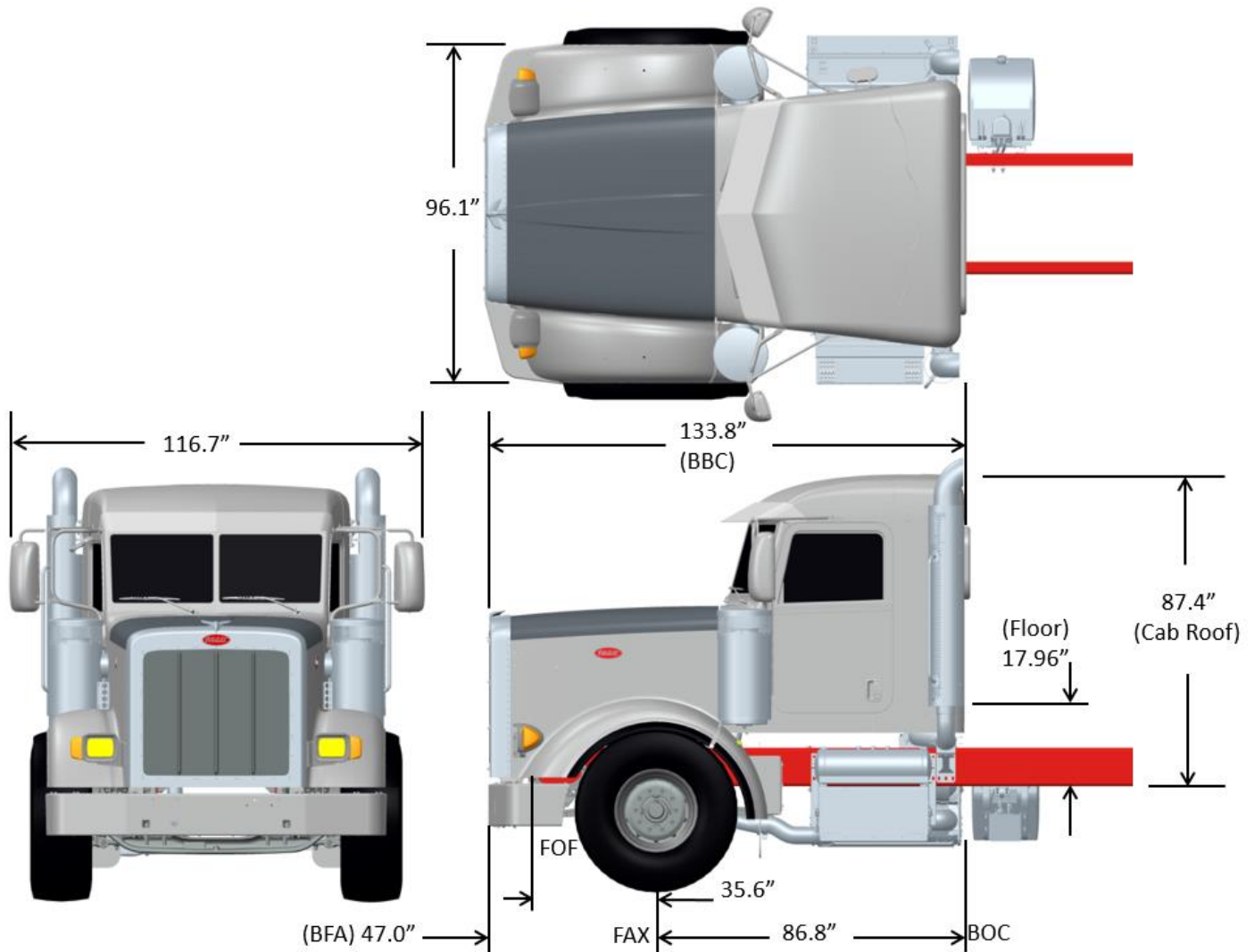


NOTES:

- 1) DIMENSIONS ARE FOR REFERENCE ONLY
- 2) DIMENSIONS ARE TO FRONT OF BUMPER

FIGURE 3-8. Model 367 SBFA Top & LH View – Overall Dimensions

Model 367-123 SBFA 10" Extended Day Cab

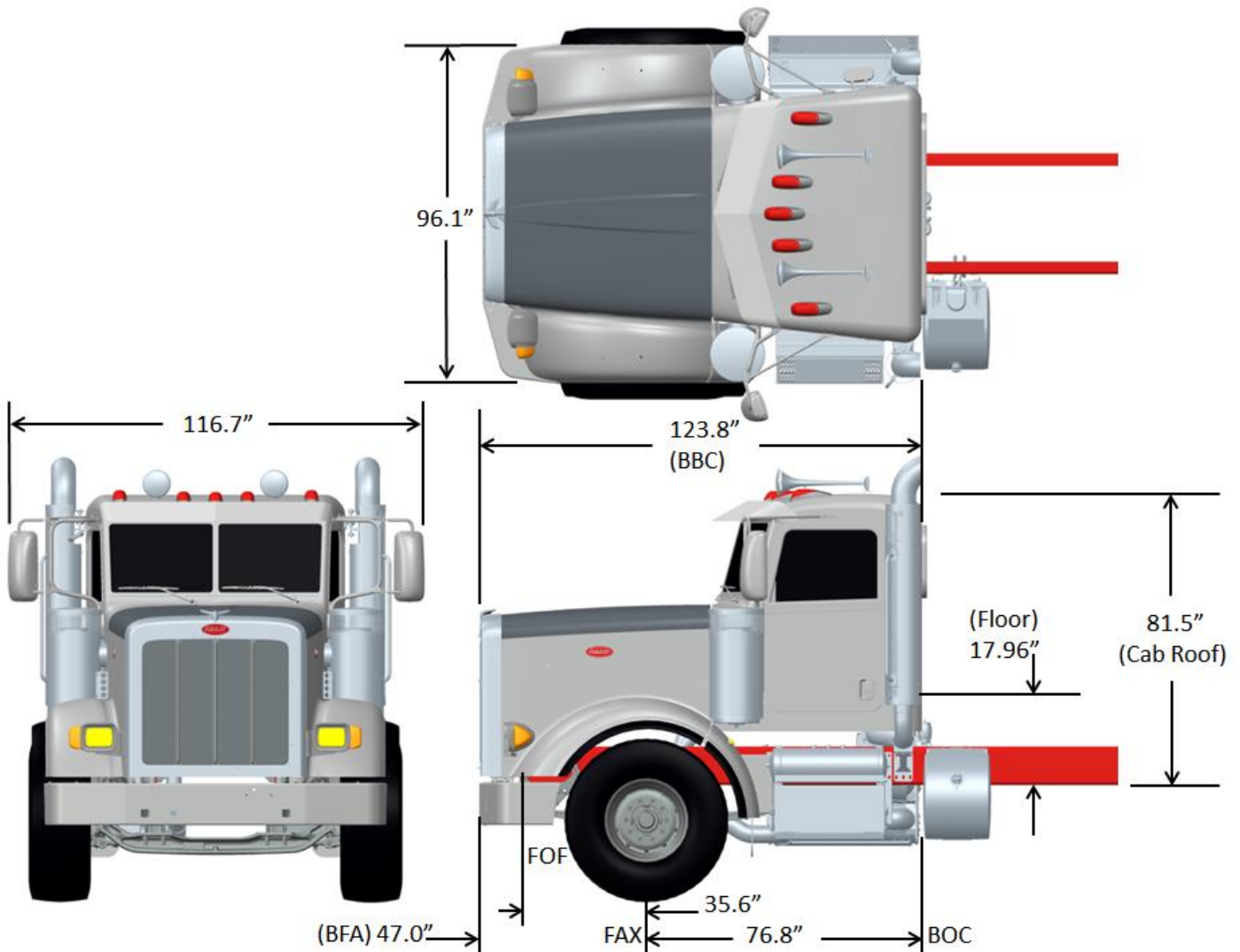


NOTES:

- 1) DIMENSIONS ARE FOR REFERENCE ONLY
- 2) DIMENSIONS ARE TO FRONT OF BUMPER

FIGURE 3-9. Model 367 SBFA 10" Extended Day Cab Top & LH View – Overall Dimensions

Model 367-123 SBFA HH

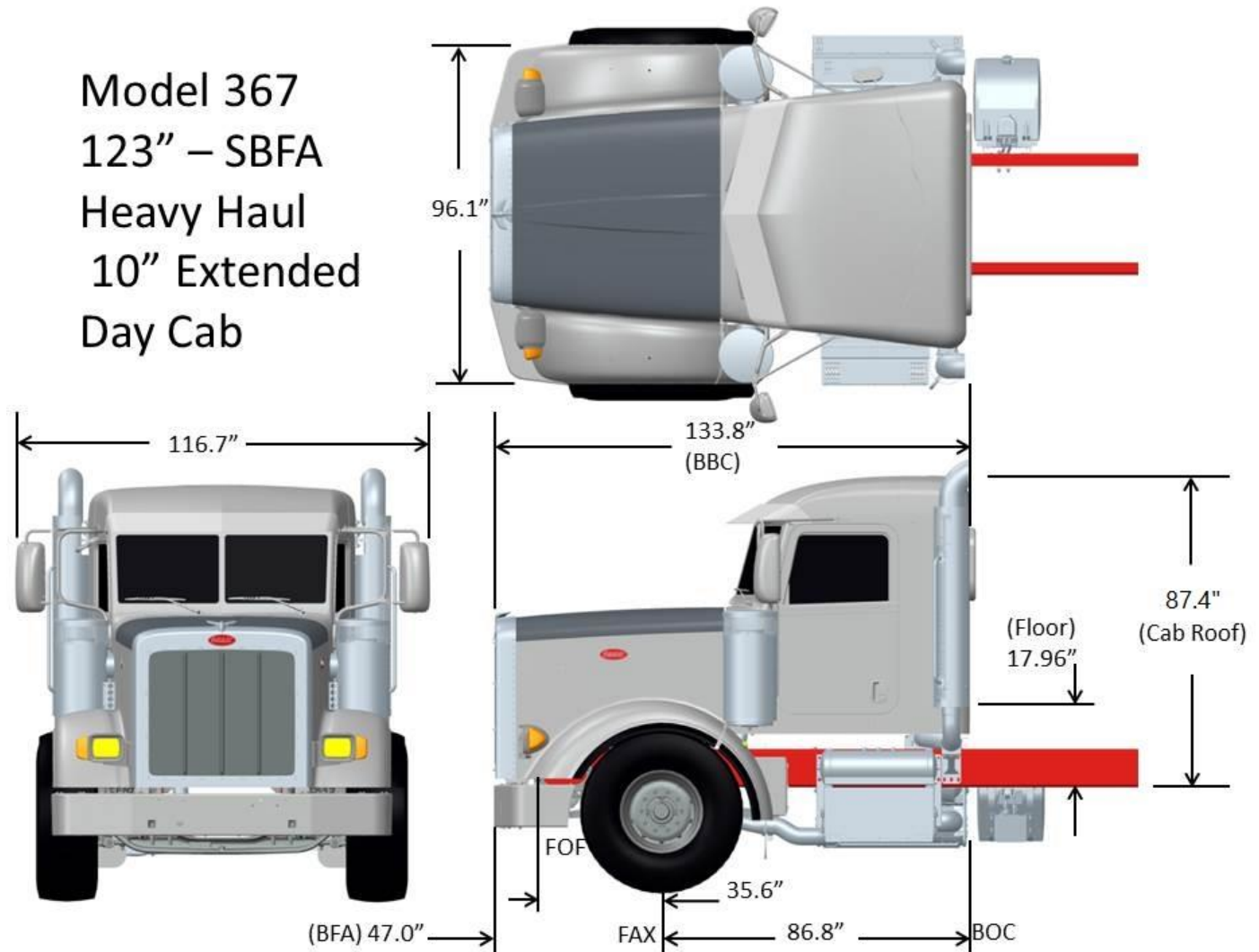


NOTES:

- 1) DIMENSIONS ARE FOR REFERENCE ONLY
- 2) DIMENSIONS ARE TO FRONT OF BUMPER

FIGURE 3-10. Model 367 SBFA Heavy Haul Hood Top & LH View – Overall Dimensions

Model 367-123 SBFA HH 10" Extended Day Cab

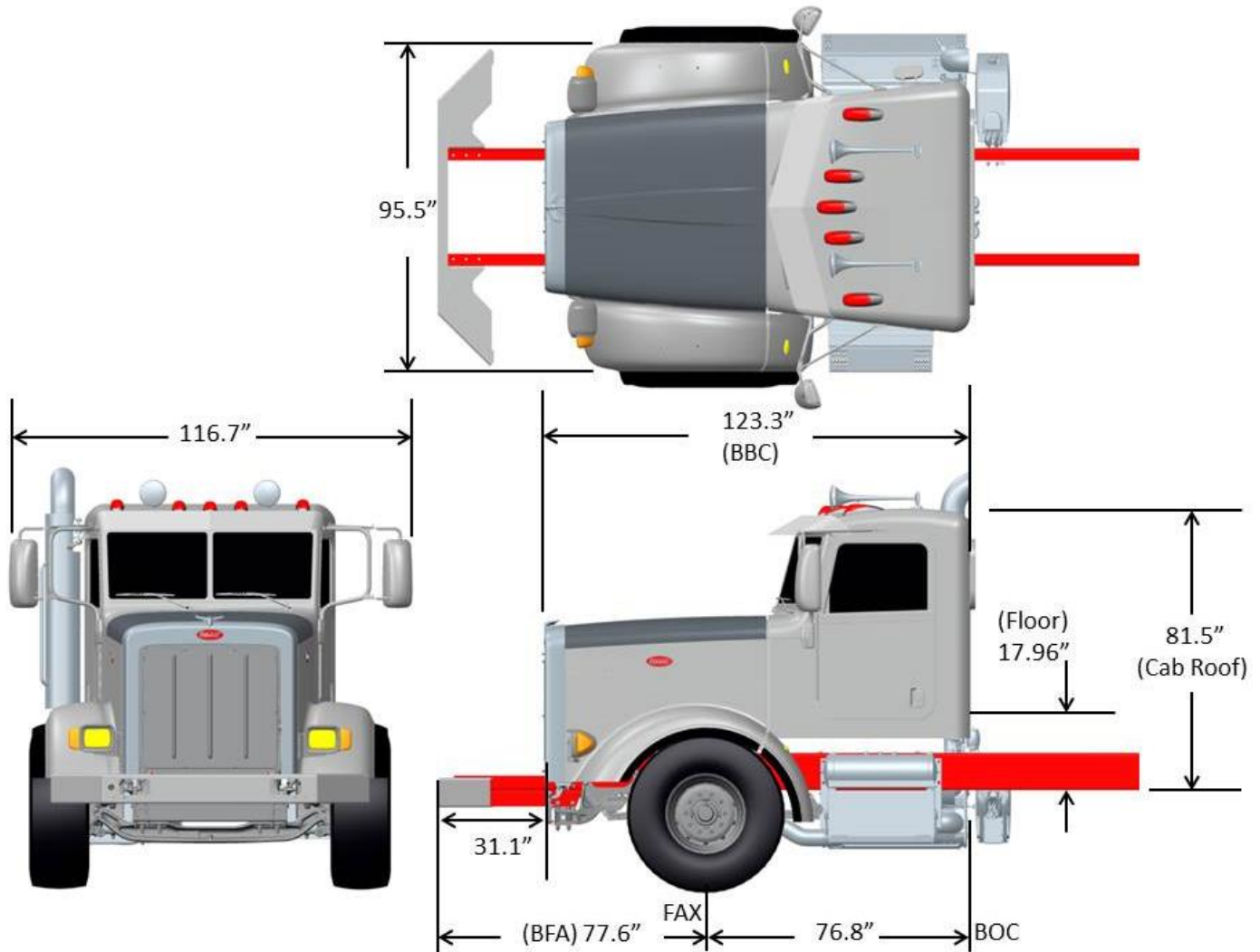


NOTES:

- 1) DIMENSIONS ARE FOR REFERENCE ONLY
- 2) DIMENSIONS ARE TO FRONT OF BUMPER

FIGURE 3-11. Model 367 SBFA Heavy Haul Hood 10" Extended Day Cab Top & LH View – Overall Dimensions

Model 367-123 SBFA HH FEPTO

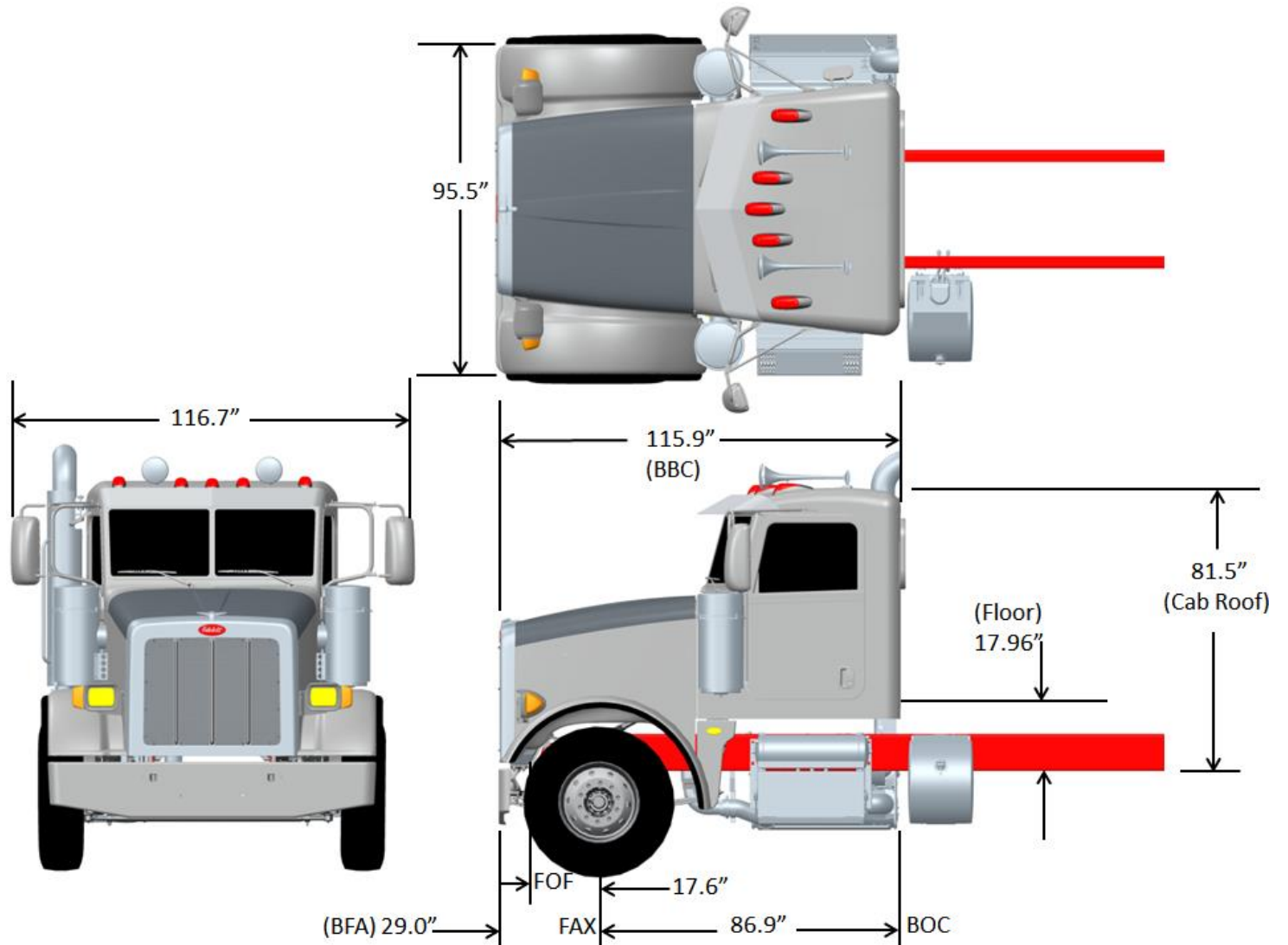


NOTES:

- 1) DIMENSIONS ARE FOR REFERENCE ONLY
- 2) DIMENSIONS ARE TO FRONT OF BUMPER

FIGURE 3-12. Model 367 SBFA FEPTO Heavy Haul Hood – Overall Dimensions

Model 365-115 SFFA

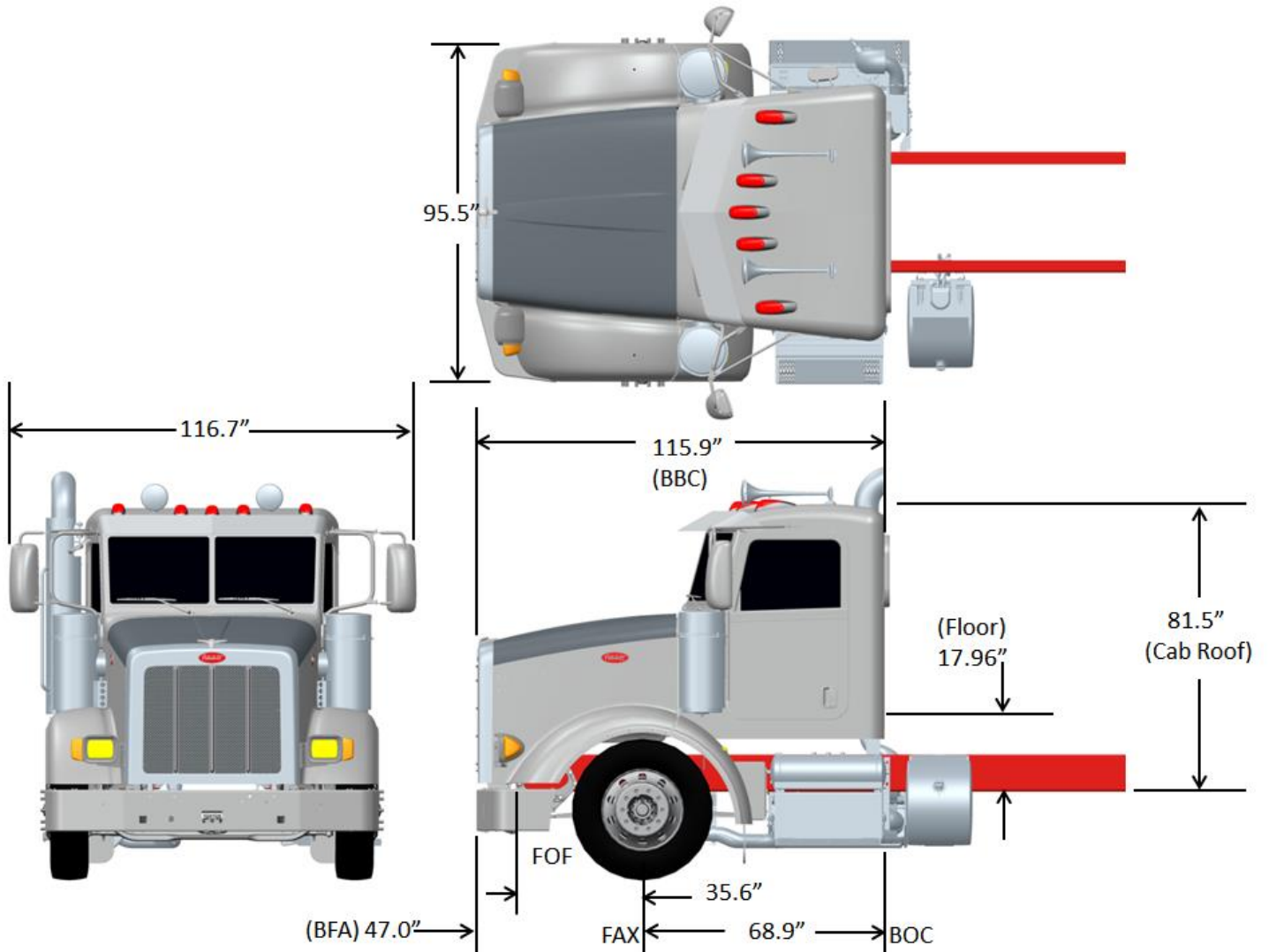


NOTES:

- 1) DIMENSIONS ARE FOR REFERENCE ONLY
- 2) DIMENSIONS ARE TO FRONT OF BUMPER

FIGURE 3-13. Model 365 SFFA Top & LH View – Overall Dimensions

Model 365-115 SBFA

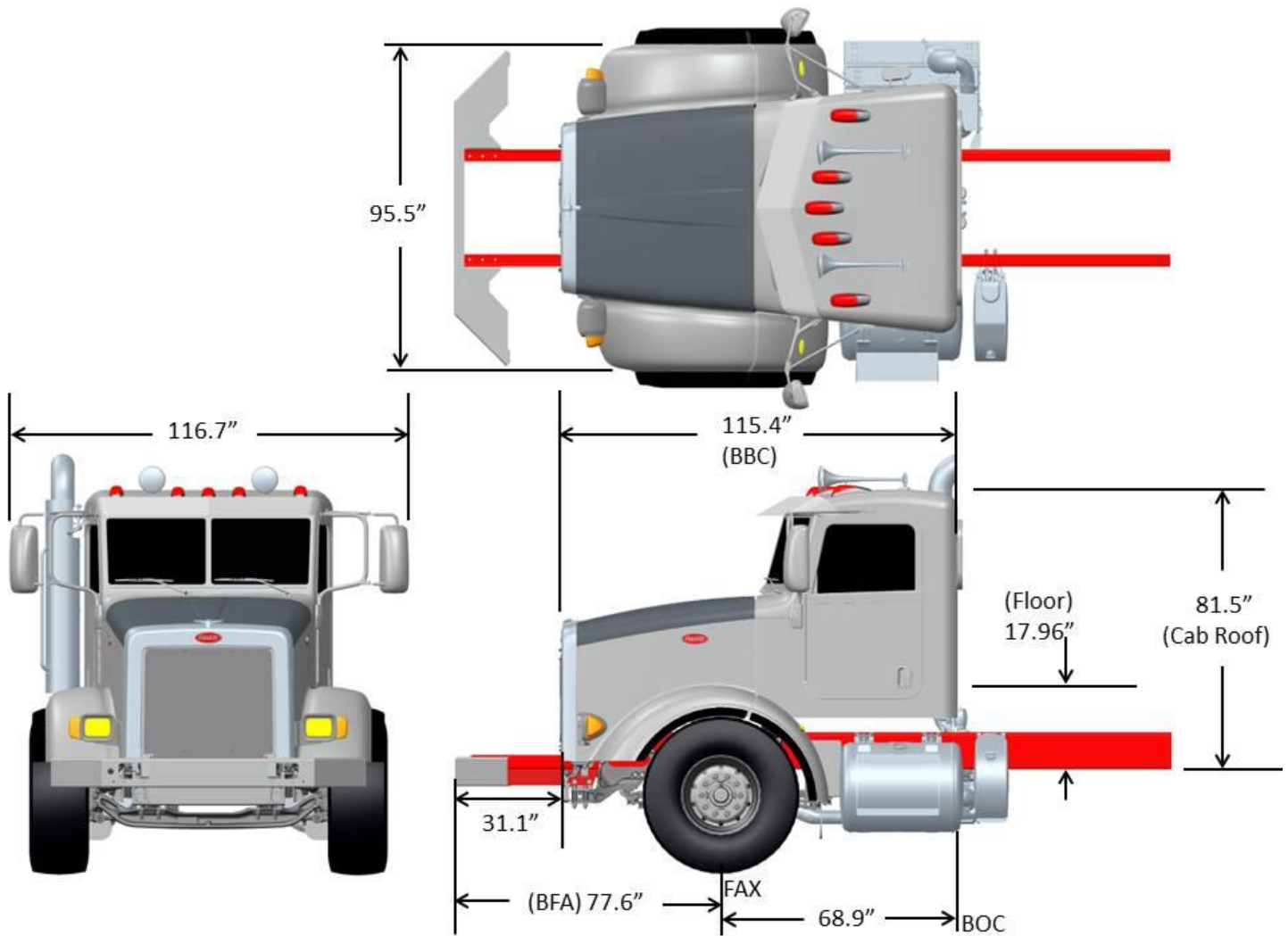


NOTES:

- 1) DIMENSIONS ARE FOR REFERENCE ONLY
- 2) DIMENSIONS ARE TO FRONT OF BUMPER

FIGURE 3-14. Model 365 SBFA Top & LH View – Overall Dimensions

Model 365-115 SBFA 31" FEPTO

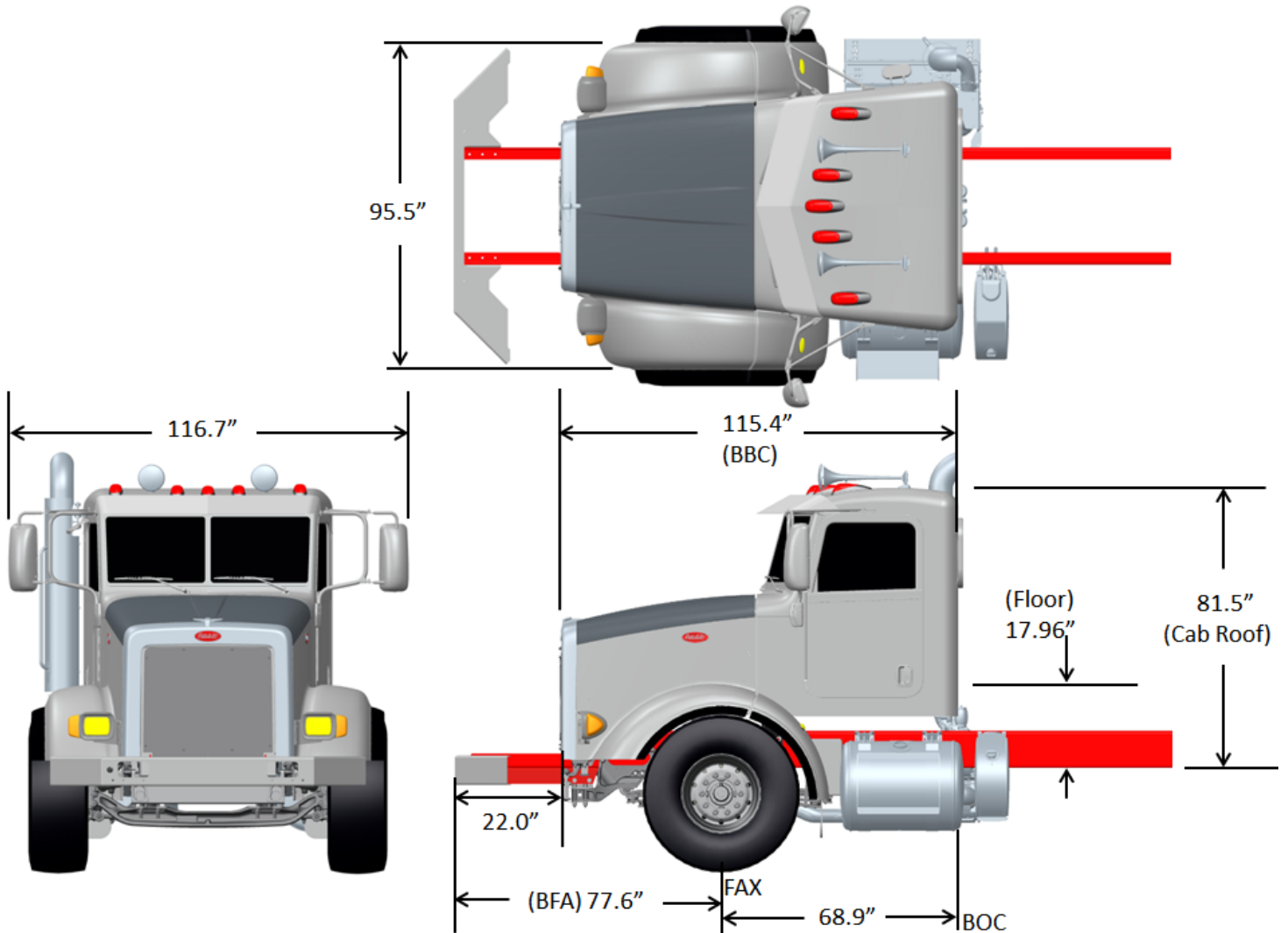


NOTES:

- 1) DIMENSIONS ARE FOR REFERENCE ONLY
- 2) DIMENSIONS ARE TO FRONT OF BUMPER

FIGURE 3-15. Model 365 SBFA 31" FEPTO Hood – Overall Dimensions

Model 365-115 SBFA 22" FEPTO



NOTES:

- 1) DIMENSIONS ARE FOR REFERENCE ONLY
- 2) DIMENSIONS ARE TO FRONT OF BUMPER

FIGURE 3-16. Model 365 SBFA 22" FEPTO Hood – Overall Dimensions

SLEEPERS

TABLE 3-2. Sleeper Dimensions

MODEL	CAB TO SLEEPER OPENING				SLEEPER DIMENSIONS								CAB TO SLEEPER GAP
	STD CAB		ULTRACAB		D = DISTANCE FROM BTM OF FRAME RAIL TO TOP OF ROOF								
	"A"	"B"	"A"	"B"	44"	58" LOW	58" HIGH	72" LOW	72" HIGH	78"	80"	"E"	
389-131	49.0	59.0	59.0	59.0	81.7	83.5	99.3	83.3	99.4	101.6	N/A	2.3	
389-123, 367, 365	49.0	59.0	59.0	59.0	83.7	85.5	101.4	85.3	101.5	103.7	N/A	2.3	
579, 567	49.0	68.1	66.5	68.1	83.7	85.5	N/A	N/A	101.8	N/A	106.3	1.8	
	SLEEPER LENGTH "C" =				36.0	48.0	48.0	63.0	63.0	70.0	70.0		

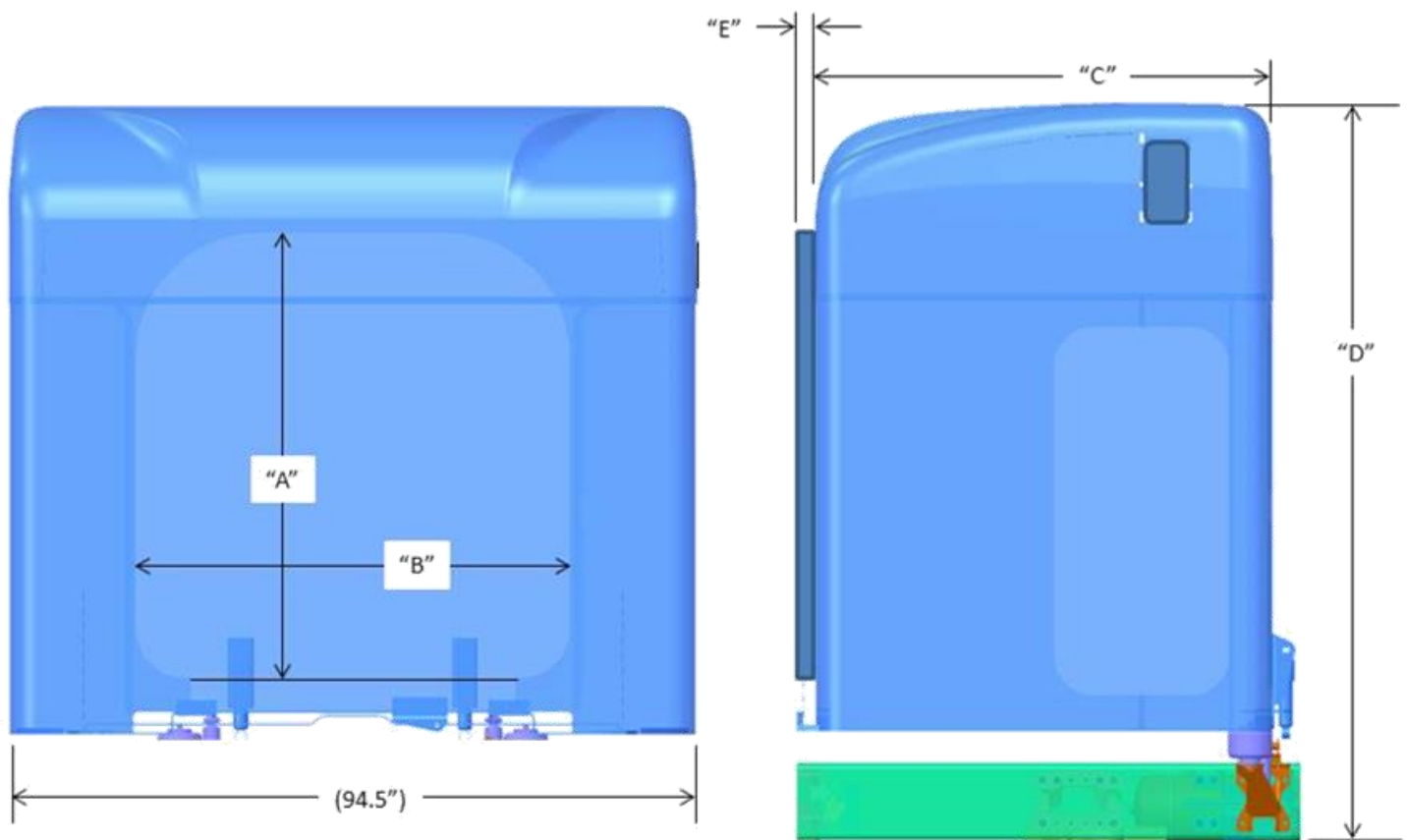


FIGURE 3-19. Sleeper Dimensions – Front & LH View

CAB- 1.9M CAB FAMILY

Models 389, 367, 365

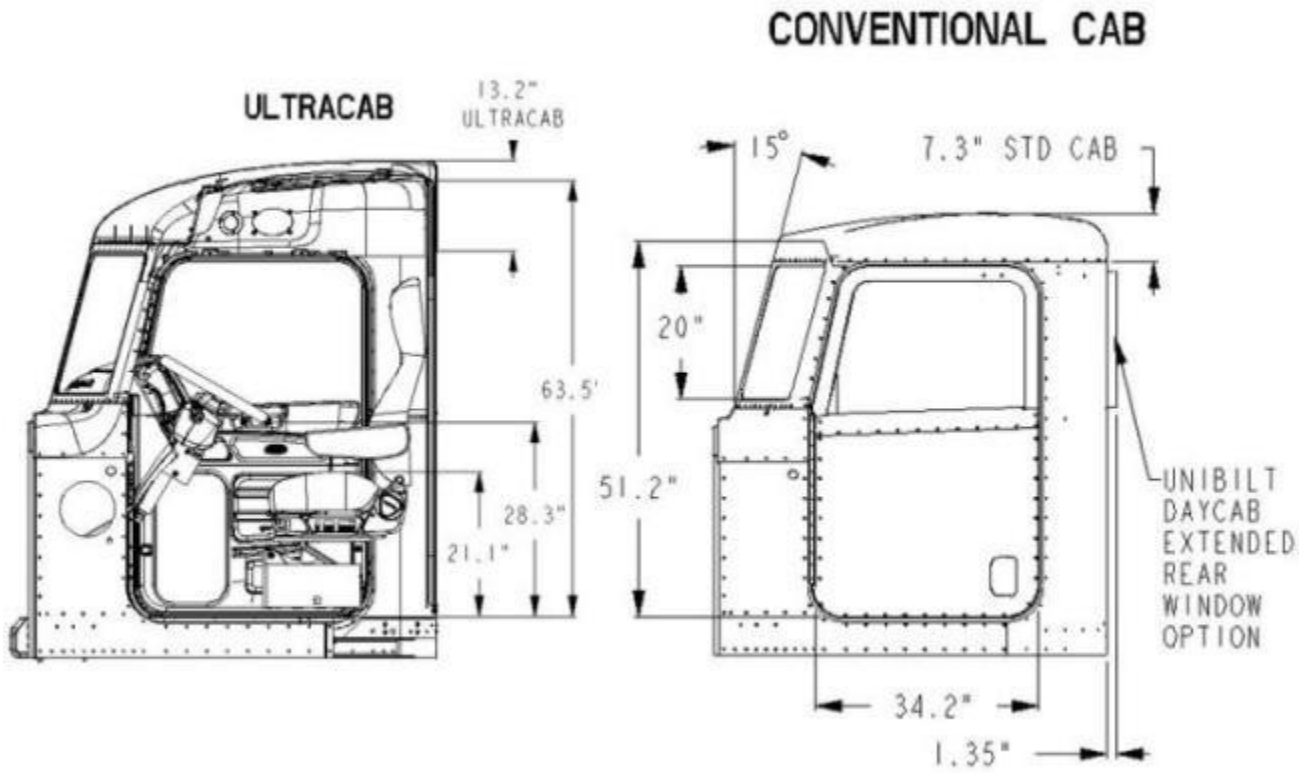


FIGURE 3-20. Cab Dimensions 1.9 m Cab Family

EXTENDED CAB – 1.9M CAB FAMILY

Models 389, 367, 365

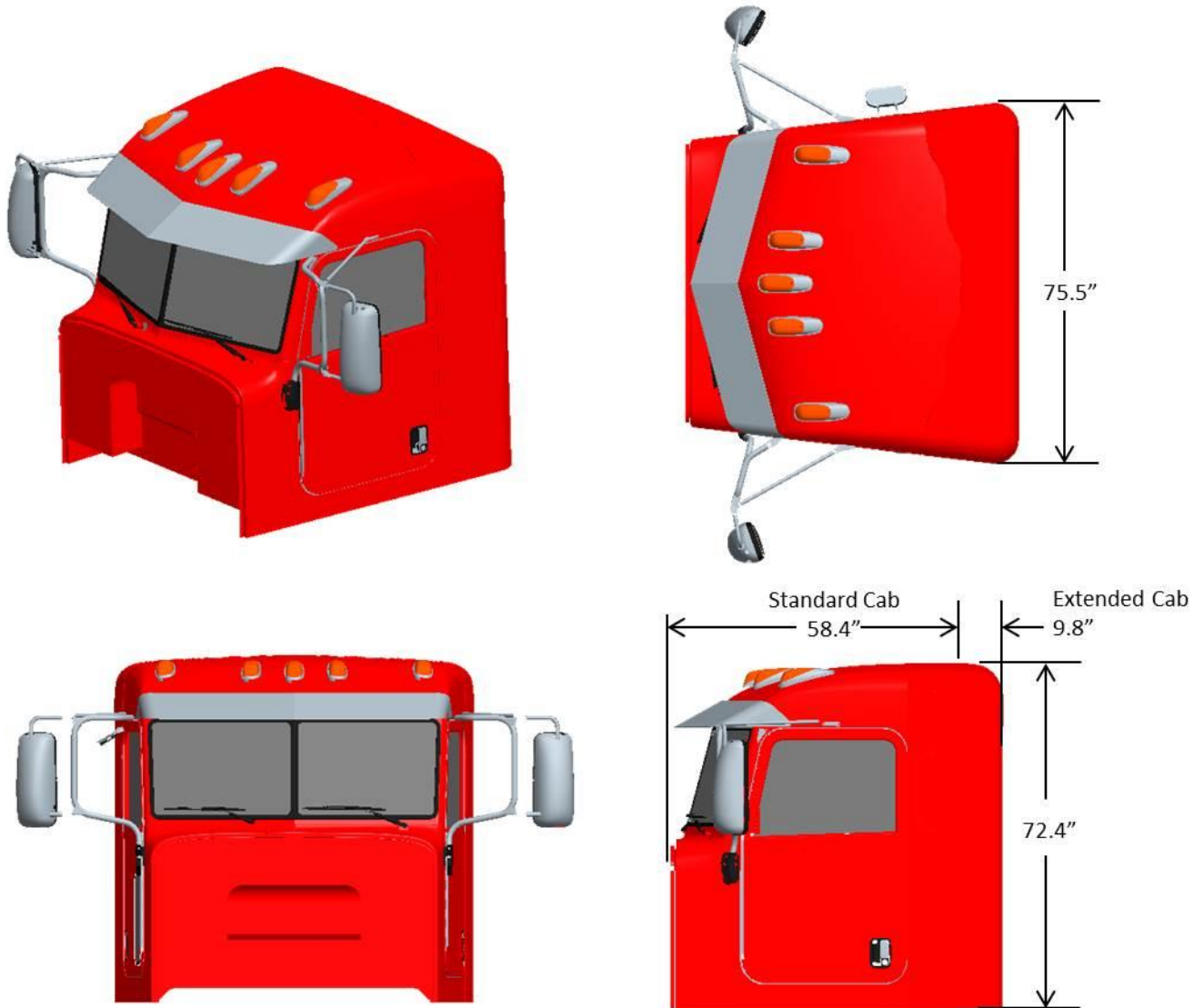


FIGURE 3-21. Extended Cab

FRAME RAILS

Frame rail configurations are shown in FIGURE 3-22. Rail height, flange and structural values can be found in the Body Mounting Section.

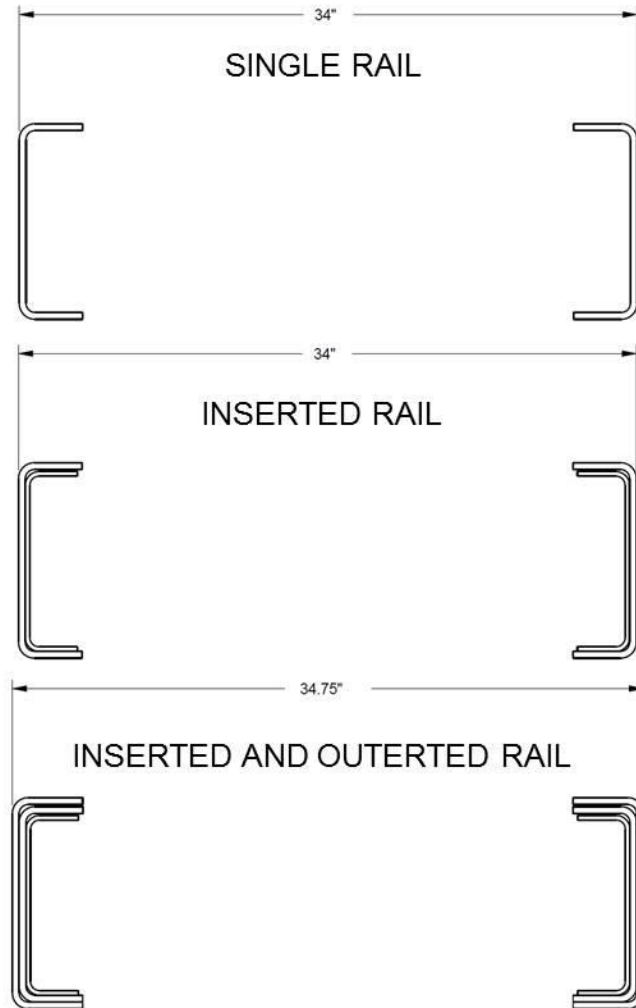


FIGURE 3-22. Frame Rail Configurations



NOTE: The outserted frame section does not extend through the rear suspension area.

FRAME HEIGHT CHARTS

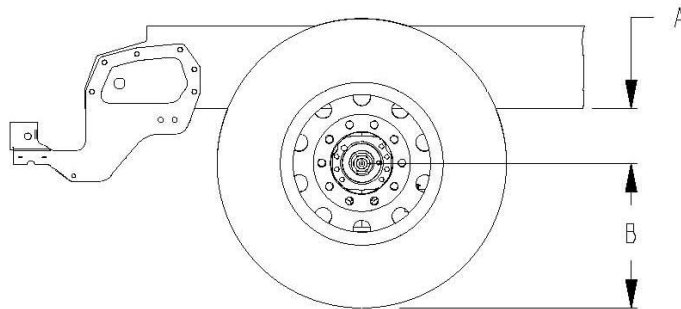
THE FOLLOWING FRAME HEIGHT CHARTS MAY BE USED FOR FINDING APPROXIMATE FRONT AND REAR FRAME HEIGHTS.

THE RESULTS ARE APPROXIMATIONS BECAUSE OF THE MANY VARIABLES SUCH AS TIRE TREAD THICKNESS, MANUFACTURING TOLERANCES, SPRING SET, AND THE LOADING IMPOSED IN THE LOADED SITUATION.

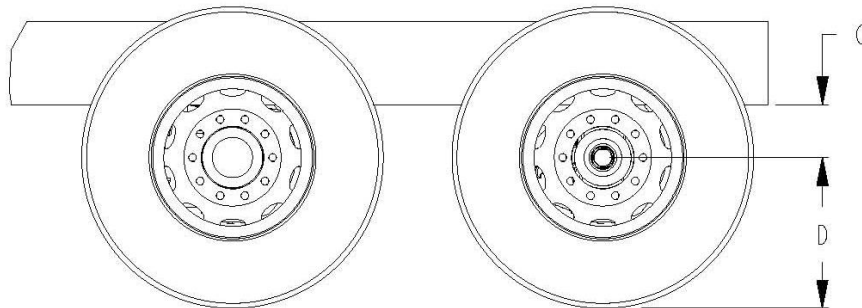
LOADED VALUES ARE QUOTES FOR REPRESENTATIVE LOADS AT THE GROUND FOR THE PARTICULAR SPRING AND AXLE COMBINATION, AND, AS SUCH, CAN VARY WITH LOADING VARIATIONS.

SPECIAL INSTALLATIONS ARE SOMETIMES POSSIBLE WITH CERTAIN SUSPENSIONS ALLOWING VARIATIONS FROM STANDARD. PLEASE CONTACT APPLICATIONS ENGINEERING FOR INFORMATION.

FRONT FRAME HEIGHT



REAR FRAME HEIGHT



NOTES:

- (1) "B" AND "D" DIMENSIONS CAN BE FOUND IN THE TIRES/WHEELS SECTION OR IN THE TIRE VENDOR'S LITERATURE.

FIGURE 3-23. Frame Height

TABLE 3-3. Front Frame Height "A" - SFFA

SFFA SUSPENSION			SPACER (mm)	LIGHT	LOADED
12,000 lbs. ³	TAPERLEAF	SFFA	10	9.3	8.9
			20	9.7	9.3
			30	10.1	9.7
			40	10.5	10.1
			50	10.9	10.5
			60	11.3	10.9
			70	11.7	11.2
			80	12.1	11.6
13,200 lbs. ³	TAPERLEAF	SFFA	10	9.3	8.9
			20	9.7	9.3
			30	10.1	9.7
			40	10.5	10.1
			50	10.9	10.5
			60	11.3	10.9
			70	11.7	11.3
			80	12.1	11.5
14,600 lbs.	TAPERLEAF	SFFA	10	9.3	8.9
			20	9.7	9.3
			30	10.1	9.7
			40	10.5	10.1
			50	10.9	10.5
			60	11.3	10.9
			70	11.7	11.3
			80	12.1	11.7
16,000 lbs.	TAPERLEAF	SFFA	10	10.5	10.0
			20	10.9	10.3
			30	11.3	10.7
			40	11.7	11.1
			50	12.1	11.5
			60	12.5	11.9
			70	12.9	12.3
			80	13.3	12.7
18,000 - 20,000 lbs. ¹	TAPERLEAF	SFFA	10	10.6	9.5
			20	11.0	10.0
			30	11.4	10.4
			40	11.8	10.8
			50	12.2	11.2
			60	12.6	11.6
			70	13.0	12.0
			80	13.4	12.4
22,000 - 24,000 lbs. ²	TAPERLEAF	SFFA	10	12.4	10.9
			20	12.8	11.3
			30	13.2	11.7
			40	13.6	12.1
			50	14.0	12.5
			60	14.3	12.9
			70	14.7	13.3
			80	15.1	13.6

NOTES:

- 1) Shown with 20K load for laden dim. Add 0.3" to laden dim. if 18K load.
- 2) Shown with 23K load for laden dim. Add 0.1" to laden dim. if 22K load. Subtract .01" from unladen dim if 24K load.
- 3) Note: Standard 3-1/2" drop axle heights shown, for 5" drop axles, subtract an additional 1-1/2".
Spacer blocks are used by Engineering to obtain level frame and are not options.
"A" dimension shown is to bottom of frame rail. Add frame rail height dimension for frame height.

TABLE 3-4. Front Frame Height "A" - SBFA

SBFA Suspension			Spacer (Mm)	Unladen (In.)	Laden (In.)
12,000 lbs.	TAPERLEAF	SBFA	30	9.7	8.5
			40	10.1	8.9
			50	10.5	9.3
			60	10.9	9.7
			70	11.3	10.1
			80	11.7	10.5
13,200 lbs.	TAPERLEAF	SBFA	30	9.8	8.5
			40	10.2	8.9
			50	10.6	9.3
			60	11	9.7
			70	11.4	10.1
			80	11.8	10.5
14,600 lbs.	TAPERLEAF	SBFA	30	10.1	8.5
			40	10.5	8.9
			50	10.9	9.3
			60	11.3	9.7
			70	11.7	10.1
			80	12.1	10.5
16,000 lbs. ³	TAPERLEAF	SBFA	30	11.4	9.5
			40	11.8	9.9
			50	12.2	10.3
			60	12.6	10.7
			70	13	11.1
			80	13.4	11.5
18,000-20,000 ¹	TAPERLEAF	SBFA	50	11.9	10
			60	12.3	10.4
			70	12.7	10.8
			80	13.1	11.2
22,000 - 24,000 lbs. ²	TAPERLEAF	SBFA	OMIT	12.3	9.4
			30	13.4	10.5
			40	13.8	10.9
			50	14.2	11.3
			60	14.6	11.7
			70	15	12.1
			80	15.4	12.5

NOTES:

- 1) Shown with 20K load for laden dim. Add 0.3" to laden dim. if 18K load. S
 - 2) Shown with 23K load for laden dim. Add 0.1" to laden dim. if 22K load. Subtract 0.1" from laden dim. if 24K load.
 - 3) 16K springs with 12K to 14.6K axle minimum spacer block is 30 mm. With 16K springs and 20K axle minimum spacer block is 50 mm.
- Note: Standard 3-1/2" drop axle heights shown, for 5" drop axles, subtract an additional 1-1/2".
 Spacer Blocks are used by Engineering to obtain level frame and are not options.
 "A" dimension shown is to bottom of frame rail. Add frame rail height for frame height.

REAR FRAME HEIGHTS "C"

TABLE 3-5. Single Drive Suspension Heights

Suspension	Rating	Version	Unladen Height	Laden Height
AIR TRAC	20,000 lbs.	Standard	11.4	11.0
	23,000 lbs.	Standard	11.4	11.0
REYCO 79KB	20,000 lbs.	Taperleaf (3.38" saddle)	9.4	11.8
	21,000 lbs.	Taperleaf (1.38" saddle)	7.4	9.8
	23,000 lbs.	Multileaf (1.38" saddle)	8.8	11.6
	26,000 lbs.	Multileaf (1.38" saddle)	9.2	11.8
	28,000 lbs.	Multileaf (1.38" saddle)	9.7	12.3
	31,000 lbs.	Multileaf (1.38" saddle)	10.8	13.3
REYCO 102	23K-29K lbs.	4.38 saddle	12.1	10.2
	23K-29K lbs.	4.63 saddle	12.2	10.4
	29,000 lbs	3.50 saddle	11.7	10.0
	31,000 lbs	3.50 saddle	12.2	10.5
	31,000 lbs	4.38 saddle	12.5	10.7
	31,000 lbs	4.63 saddle	12.7	10.9
REYCO 102AR (AIR)	17K -23K	Standard	9.3	9.3
		Low	8.3	8.3

TABLE 3-6. Tandem Peterbilt Suspension Heights

Suspension	Rating	Version	Unladen Height	Laden Height
AIR LEAF	38,000 lbs.		12.0	11.7
LOW AIR LEAF	40,000 lbs.		8.8	8.5
FLEX AIR	38,000 lbs.		8.7	8.5
LOW LOW AIR LEAF	40,000 lbs.		6.8	6.5
AIR TRAC	40K-46K lbs		11.4	11.0
QUADRAFLEX	38,000 lbs.	Taperleaf	10.6	8.7

TABLE 3-7. Tandem Neway Suspension Heights

Suspension	Rating	Version	Unladen Height	Laden Height
NEWAY AD	52,000 lbs.		10.0	10.0
NEWAY ADZ	46K-52K lbs.		10.0	10.0

TABLE 3-8. Tandem Reyco Suspension Heights

Suspension	Rating	Version	Unladen Height	Laden Height
REYCO 102 MULTILEAF	40,000 lbs	1.75 saddle (STD)	11.7	9.9
		1.38 saddle	10.2	8.3
		3.38 saddle	13.4	11.5
	44,000 lbs	1.75 saddle (STD)	11.7	9.8
		1.38 saddle	11.5	9.7

TABLE 3-9. Tandem Chalmers Suspension Heights

Suspension	Rating	Version	Unladen Height	Laden Height ¹
CHALMERS 854/860	40,000 lbs	LOW	11.2	8.9
		HIGH	12.4	10.2
		X-HIGH	14.5	12.2
		XX-HIGH	17.2	14.9
CHALMERS 854/860	46,000 lbs	LOW	11.3	8.9
		HIGH	12.5	10.1
		X-HIGH	14.7	12.2
		XX-HIGH	17.3	14.9
CHALMERS 854/860	50K-52K	LOW	11.3	8.9
		HIGH	12.5	10.1
		X-HIGH	14.7	12.1
		XX-HIGH	17.3	14.8
CHALMERS 872	46,000 lbs	LOW	11.2	8.8
		HIGH	12.5	10.3
		X-HIGH	14.7	12.2
		XX-HIGH	17.3	14.9
CHALMERS 872	50,000 lbs	LOW	11.2	8.8
		HIGH	12.5	10.3
		X-HIGH	14.7	12.1
		XX-HIGH	17.3	14.8

NOTES:

1) Laden dimension shown with standard restrictor cans. Add 0.7" for #29 High Stability Restrictor Cans.

TABLE 3-10. Tandem Hendrickson Suspension Heights

Suspension	Rating	Version	Unladen Height	Laden Height
RT-403	40,000 lbs	6.00 saddle	9.9	8.9
		7.188 saddle (std)	11.2	10.1
RTE-403	40,000 lbs	6.00 saddle	9.9	8.4
		7.188 saddle (std)	11.2	9.6
R-403	40,000 lbs	12.80 saddle	5.9	5.9
		15.81 saddle (std)	8.9	8.9
		17.60 saddle	10.6	10.6
RS-403	40,000 lbs	12.25 saddle	9.7	8.9
		14.00 saddle (std)	11.5	10.6
		15.25 saddle	12.7	11.9
HMX	40,000 lbs	16.5 saddle (low)	10.6	9.5
		18.5 saddle (std)	12.6	11.5
HMX	46,000 lbs	16.5 saddle (low)	10.6	9.5
		18.5 saddle (std)	12.6	11.5
HMX EX	40,000 lbs	16.5 saddle	11.6	9.5
		17.5 saddle	12.6	10.5
		18.5 saddle (std)	13.6	11.5
	46,000 lbs	16.5 saddle	11.6	9.5
		17.5 saddle	12.6	10.5
		18.5 saddle (std)	13.6	11.5
52,000 lbs	18.5 saddle (std)	13.6	11.5	
HN462	46,000 lbs	20.25 saddle (high)	15	13.3
R-463	46,000 lbs	15.75 saddle (std)	8.8	8.8
		20.50 saddle	13.5	13.5
RS-463	46,000 lbs	12.25 saddle	9.7	8.9
		14.00 saddle (std)	11.5	10.6
		15.25 saddle	12.7	11.9
RT-463	46,000 lbs	6.00 saddle	11.3	10.5
		7.188 saddle (std)	13	11.4
		11.00 saddle	16.3	15.2
RTE-463	46,000 lbs	7.188 saddle (std)	11.6	10.2
		11.00 saddle	15.4	14

TABLE 3-10 (cont'd.) Tandem Hendrickson Suspension Heights

Suspension	Rating	Version	Unladen Height	Laden Height
RS-503	50,000 lbs	14.00 saddle (std)	11.5	10.6
		15.25 saddle	12.7	11.9
RT-503	50,000 lbs	7.188 saddle (std)	12.2	11.2
		11.0 ¹ saddle	6.4	15.4
RTE-503	50,000 lbs	7.188 saddle (std)	11.6	10.2
		11.00 saddle	15.4	14
RS-523	52,000 lbs	14.0 saddle (std)	11.5	10.6
RT-523 , RT-650	52K-65K	7.188 saddle (std)	12.2	11.2
		11.00 saddle	16.4	15.4
HN522	52,000 lbs	18.50 saddle (std)	12.6	11.5
RS650	65,000 lbs	15.00 saddle (std)	12.0 ¹	11.0 ²
		19.00 saddle	16.0 ²	15.1 ²
R650 ³	65,000 lbs	20.25 saddle (std)	12.5	12.5
R850 w/70K Meritor	85,000 lbs	20.25 saddle	12	12
R850 w/SISU 70K		20.25 saddle	12.1	12.1
RS850 w/SISU 70K	85,000 lbs	16.75 saddle	14.5	13.8

NOTES:

- 1) With SISU 70K axle subtract .39" from light/laden.
- 2) With SISU 70K axle subtract .28 from light and .39 from laden.
- 3) With Meritor 70K axles frame height is 22.5" for R650.

REAR SUSPENSION LAYOUTS

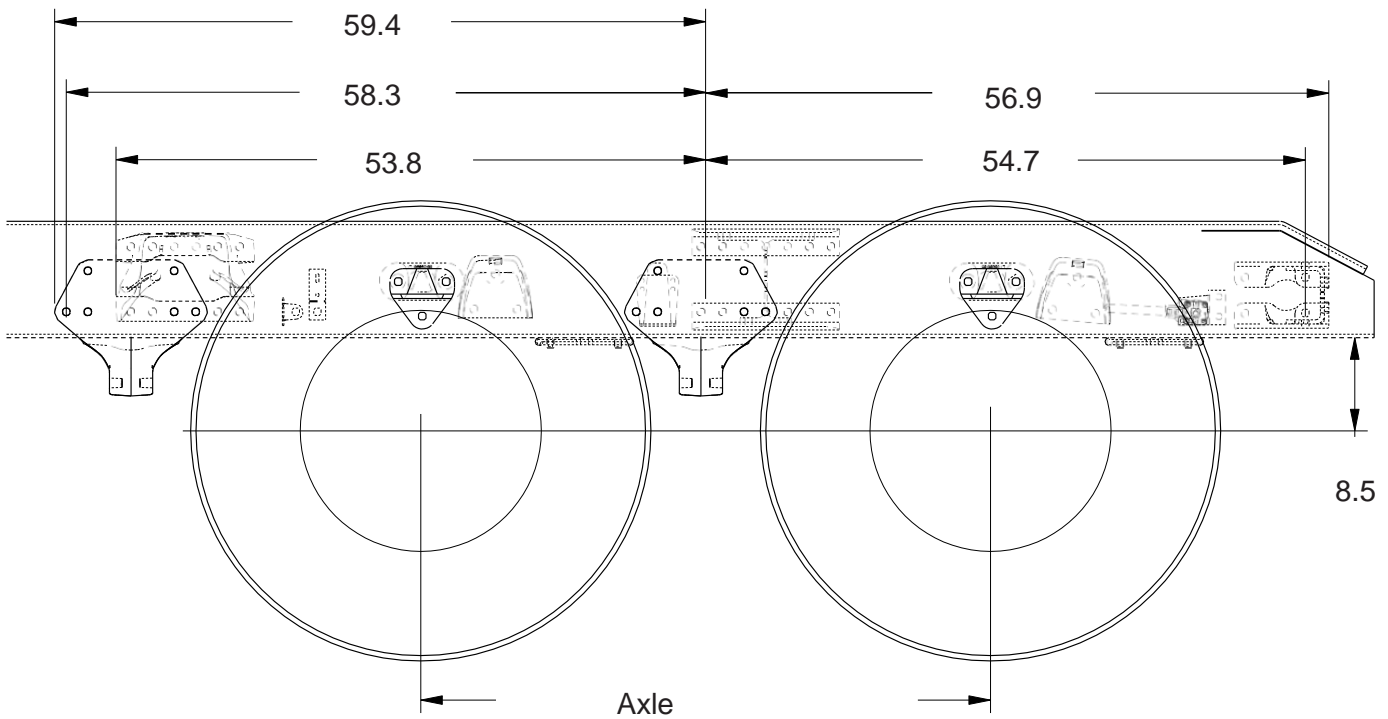
The rear suspension layouts are provided as a tool to help layout bodies prior to arrival. The applicable dimensions are shown. Be sure to check the axle spacing that is shown, as alternate spacing may exist and could change some of the dimensions. The dimensions shown are the most typical installations, in special cases some hole locations will move. If you are planning on using the holes shown for your body installation, please confirm with your local Peterbilt dealer that the drawing below will be the installation used on your specific truck. Ensure that proper torque is used to reinstall any suspension components. It would be a good idea in this case to order the frame layout of your chassis along with your truck order. This can be done on any Peterbilt truck, and will be provided ahead of the build schedule.

If there are hole locations that are not detailed please work with your local Peterbilt Dealer to request that information.

Additionally optional axle spacing are shown in the charts, if you would like details on the frame drilling with optional spacing, please contact your local Peterbilt dealer.

NOTE: Actual axle spacing can depart from nominal due to axle slant requirements. Final axle spacing can vary by more than an inch from nominal in some cases. If precise axle spacing is critical due to body installation or state/local regulatory requirements please contact Peterbilt Applications/Technical Support for assistance.

PB LOW AIR LEAF TANDEM AXLE



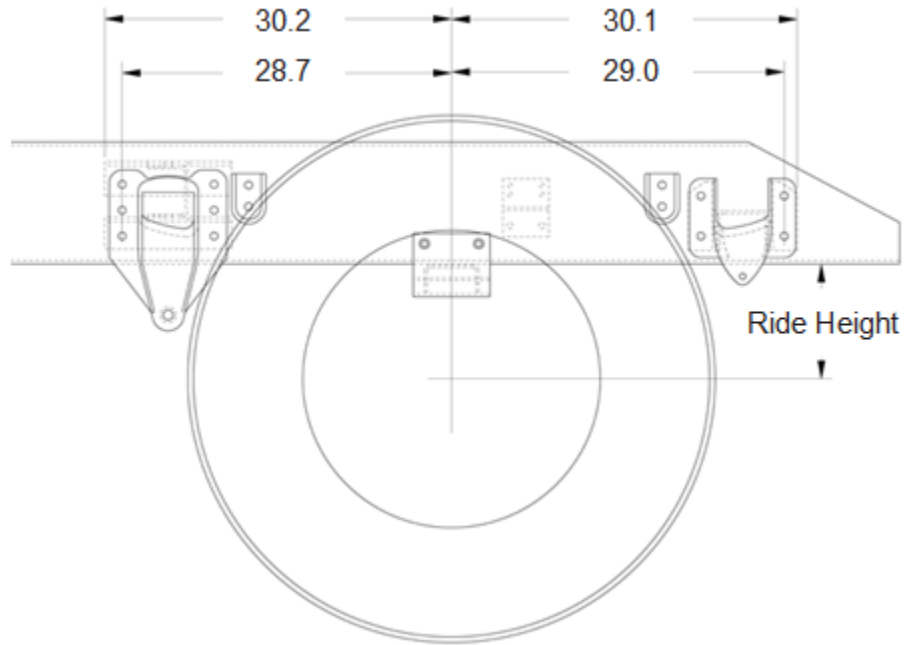
PB Low Air Leaf Suspensions

Note: "54" Axle Spacing dimensions shown

TABLE 3-11. Rear Suspension Options

Suspension Type	Rating	Axle Spacing	Laden Ride Height	Unladen Ride Height
PB Low Air Leaf Tandem	40K	52"	8.5"	8.5"
PB Low Air Leaf Tandem	40K	54"	8.5"	8.5"

REYCO 79KB SINGLE REAR AXLE



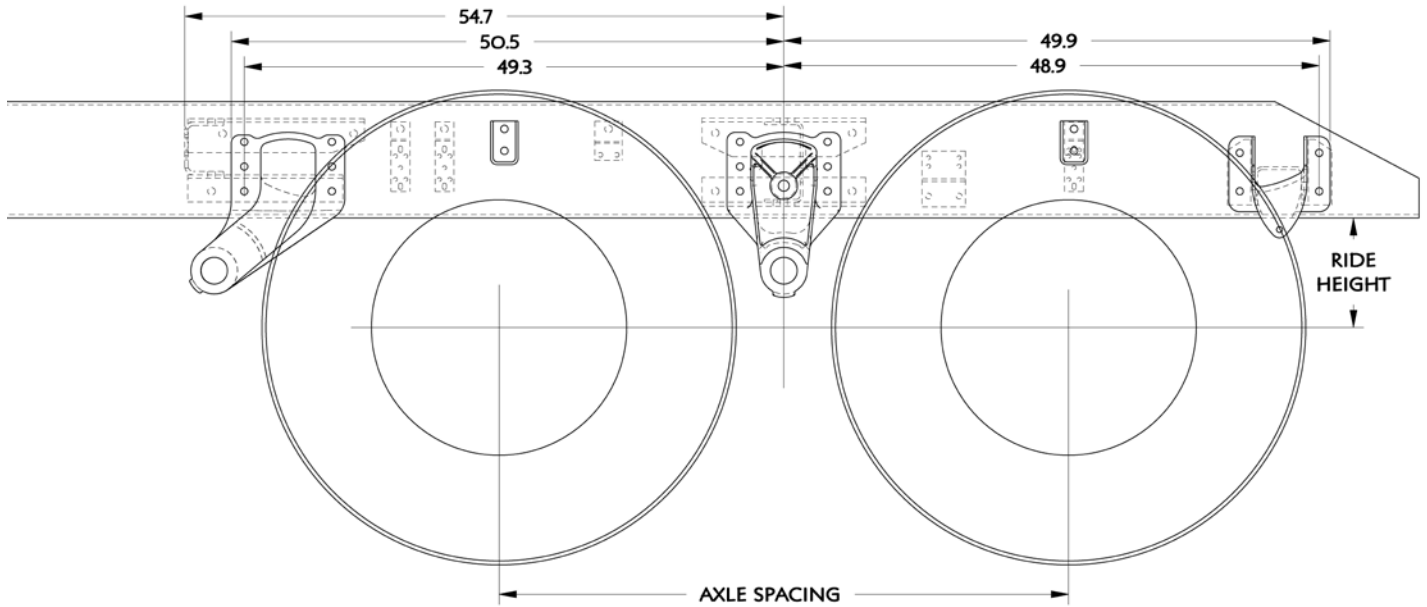
Optional Reyco 79KB Suspensions

TABLE 3-12. Rear Suspension Options

Suspension Type	Rating	Axle Spacing	Laden Ride Height	Unladen Ride Height
Reyco 79KB single	20K	-	8.3"	10.8"
Reyco 79KB single	23K	-	8.3"	10.8"
Reyco 79KB single	26K	-	8.2"	11.3"
Reyco 79KB single	31K	-	9.6"	12.2"

REYCO 102 TANDEM REAR AXLE

Shown with a 52" Axle Spacing

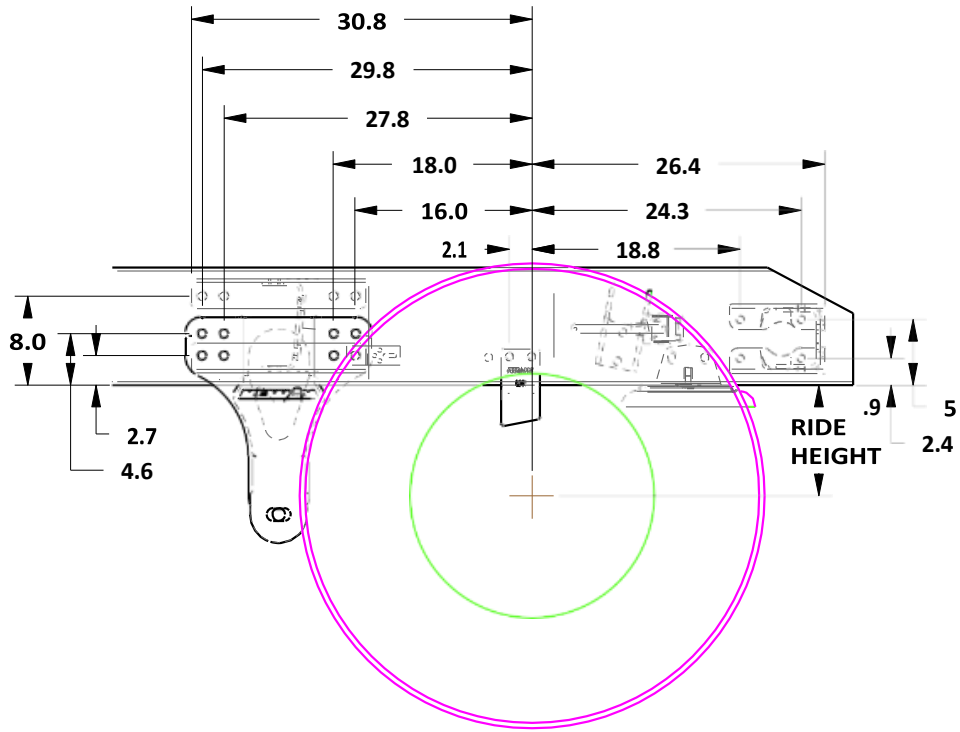


Reyco 102 Suspension

TABLE 3-13. Rear Suspension Options

Suspension Type	Rating	Axle Spacing	Laden Ride Height	Unladen Ride Height
Reyco 102 Tandem	40K	52"	9.2"	10.8"

NEWAY ADZ 123 SINGLE REAR AXLE



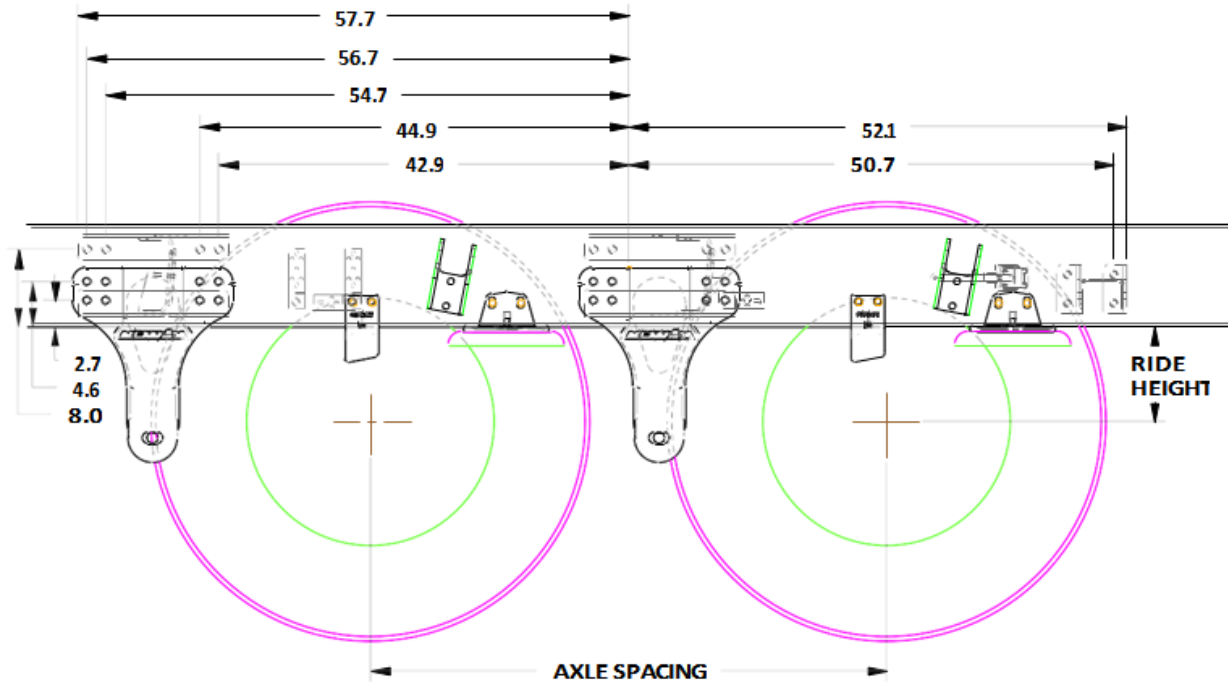
Optional Neway ADZ Single Suspensions

TABLE 3-14. Rear Suspension Options

Suspension Type	Rating	Axle Spacing	Laden Ride Height	Unladen Ride Height
Neway ADZ123 single	23K	-	10"	10"
Neway ADZ126 single	26K	-	10"	10"

NEWAY ADZ 246 TANDEM SUSPENSION

Shown with a 54" Axle Spacing



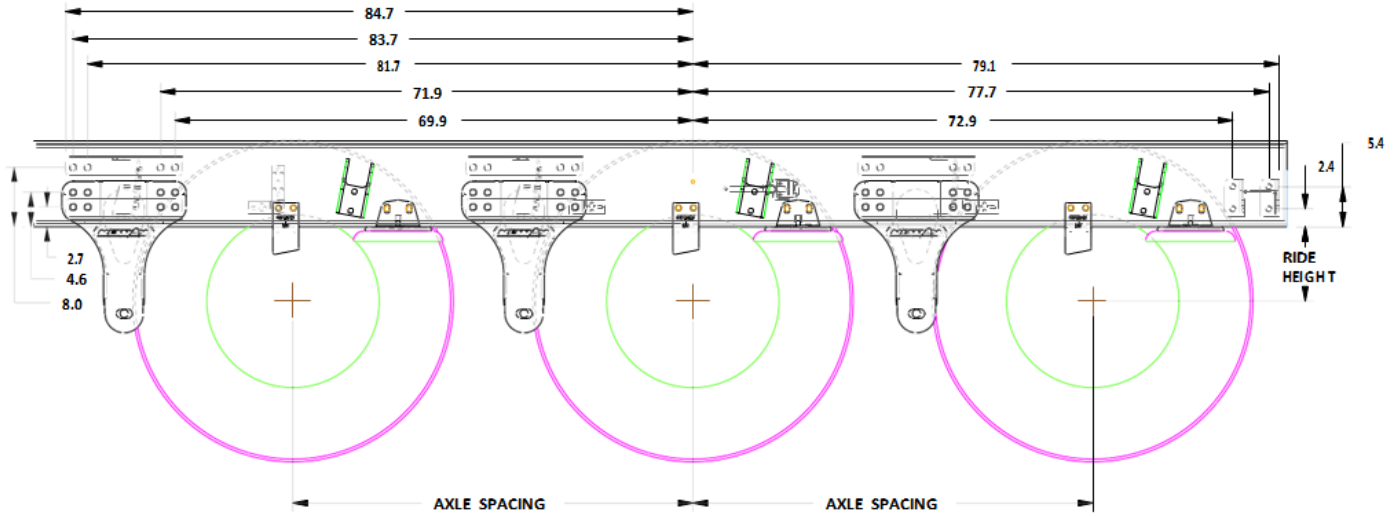
Optional Neway ADZ Tandem Suspensions

TABLE 3-15. Rear Suspension Options

Suspension Type	Rating	Axle Spacing	Laden Ride Height	Unladen Ride Height
Neway ADZ246 tandem	46K	54"	10"	10"
Neway ADZ246 tandem	46K	60"	10"	10"
Neway ADZ252 tandem	52K	54"	10"	10"
Neway ADZ252 tandem	52K	54"	12"	12"
Neway ADZ252 tandem	52K	60"	10"	10"
Neway ADZ252 tandem	52K	60"	12"	12"

NEWAY ADZ 369 SUSPENSION

Shown with 54" Axle Spacing



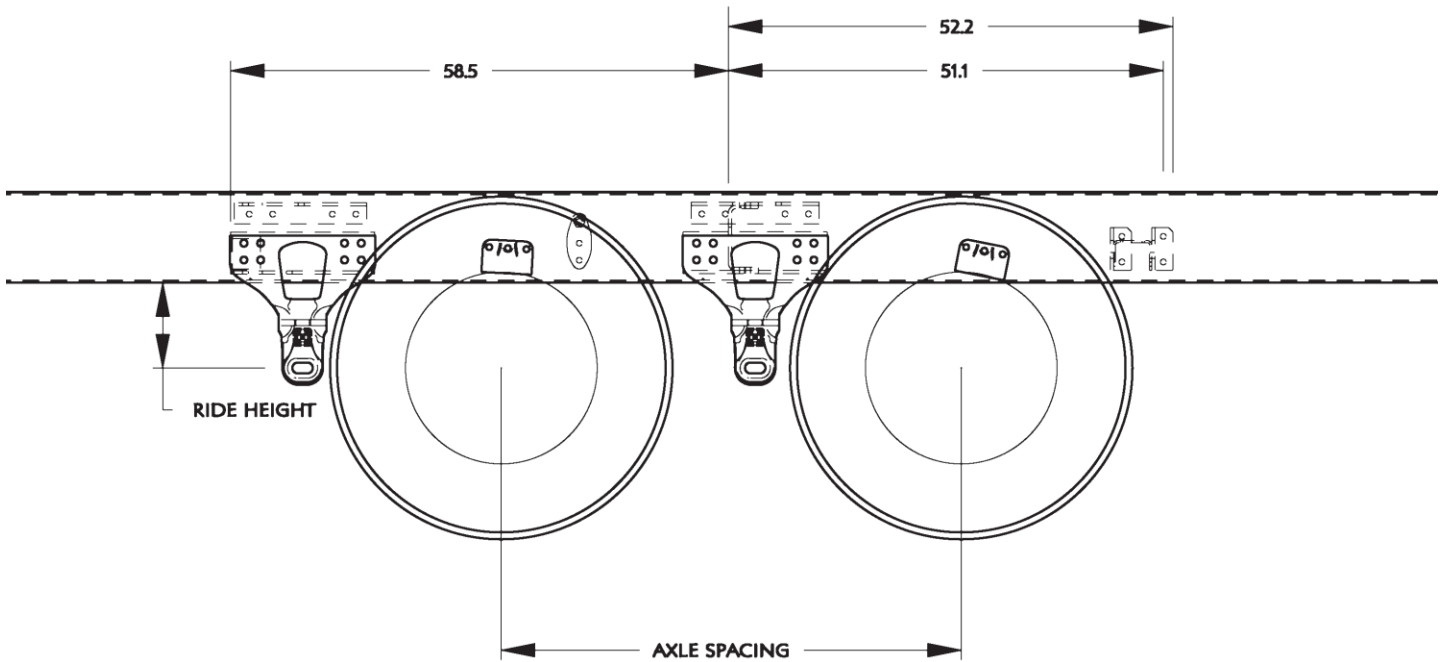
Optional Neway ADZ Suspensions

TABLE 3-16. Rear Suspension Options

Suspension Type	Rating	Axle Spacing	Laden Ride Height	Unladen Ride Height
Neway ADZ369	69K	54"	10"	10"
Neway ADZ369	69K	54"	12"	12"
Neway ADZ369	69K	60"	12"	12"
Neway ADZ378	78K	54"	10"	10"
Neway ADZ378	78K	60"	10"	10"

HENDRICKSON PRIMAAX TANDEM SUSPENSION

Shown with 54" Axle Spacing



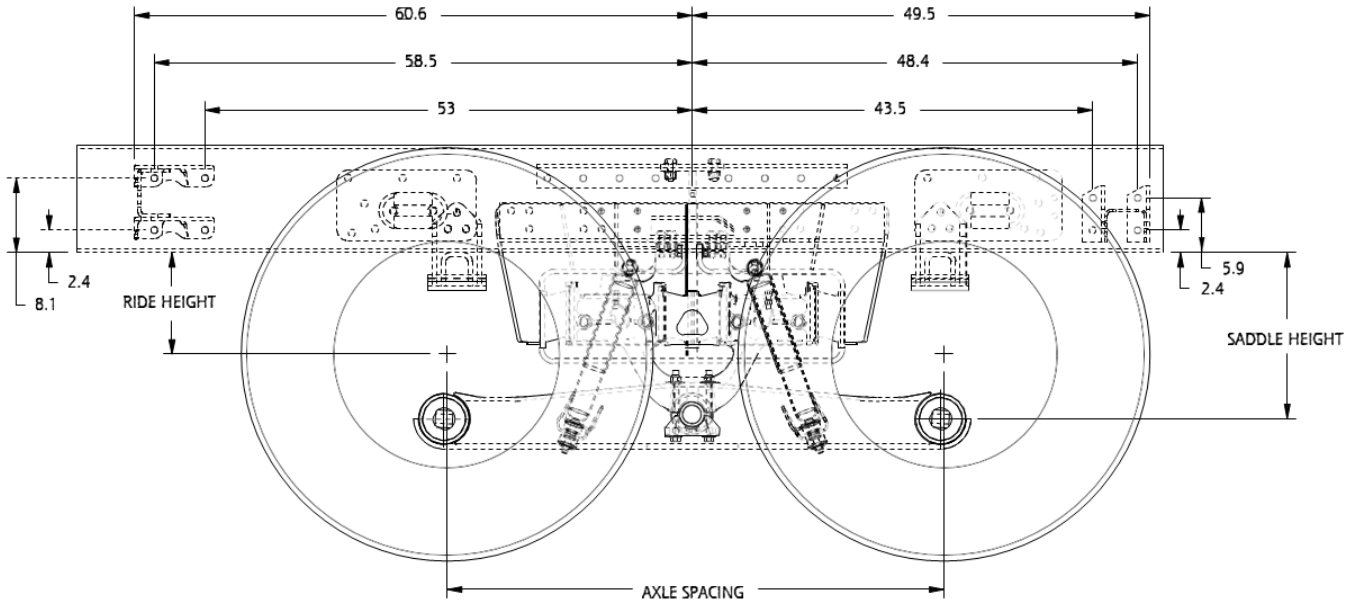
Optional Hendrickson Primaax Tandem Suspensions

TABLE 3-17. Rear Suspension Options

Suspension Type	Rating	Axle Spacing	Laden Ride Height	Unladen Ride Height
Hendrickson Primaax Tandem	46K	54"	10"	10"
Hendrickson Primaax Tandem	46K	60"	10"	10"
Hendrickson Primaax Tandem	46K	72"	10"	10"

HENDRICKSON HMX TANDEM SUSPENSION

Shown with 54" Axle Spacing



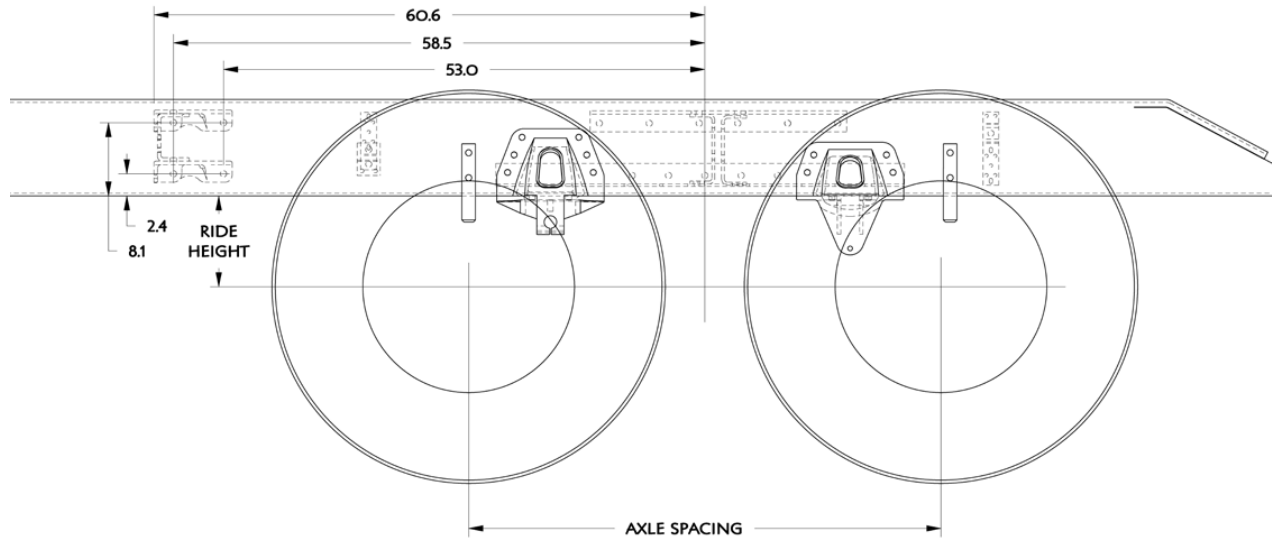
Optional Hendrickson HMX Tandem Suspensions

TABLE 3-18. Rear Suspension Options

Suspension Type	Rating	Axle Spacing	Laden Ride Height	Unladen Ride Height
Hendrickson ULTIMAAX 460 17.5" Saddle Height	46K	54"	11"	12.5"
Hendrickson ULTIMAAX 460 18.25" Saddle Height	46K	54"	11"	12.5"
Hendrickson ULTIMAAX 460 17.5" Saddle Height	46K	60"	11"	12.5"
Hendrickson ULTIMAAX 460 18.25" Saddle Height	46K	60"	11"	12.5"
Hendrickson ULTIMAAX 520 17.5" Saddle Height	52K	54"	11"	12.5"
Hendrickson ULTIMAAX 520 18.25" Saddle Height	52K	54"	11"	12.5"
Hendrickson ULTIMAAX 520 17.5" Saddle Height	52K	60"	11"	12.5"
Hendrickson ULTIMAAX 520 18.25" Saddle Height	52K	60"	11"	12.5"

HENDRICKSON RT TANDEM SUSPENSION

Shown with a 54" Axle Spacing without Track Rods



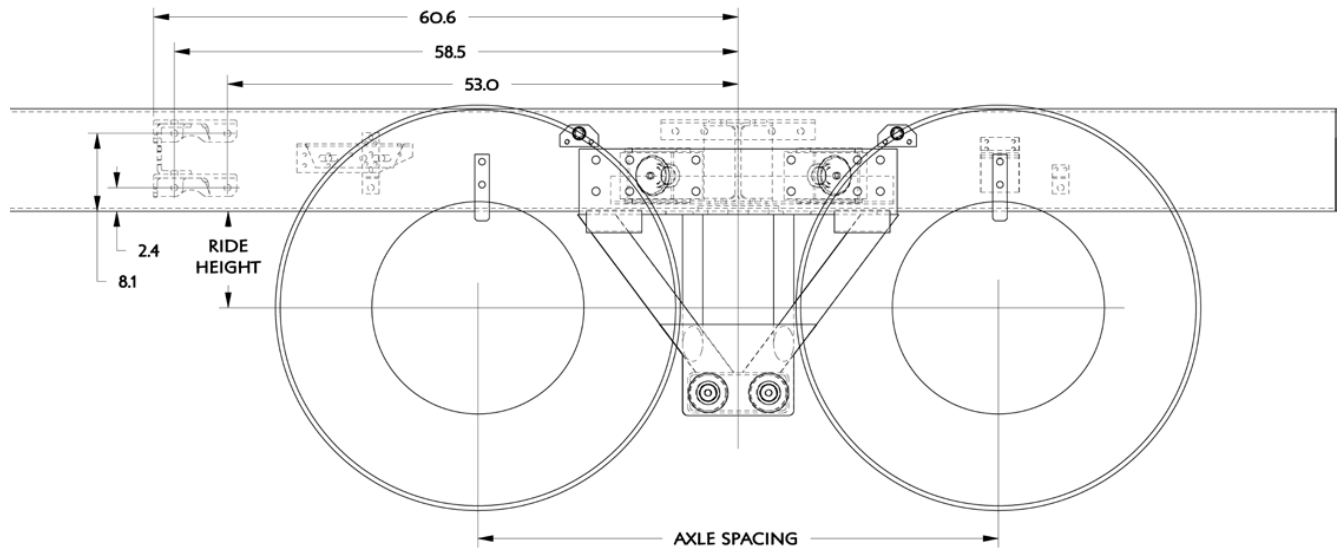
Optional Hendrickson RT Tandem Suspensions

TABLE 3-19. Rear Suspension Options

Suspension Type	Rating	Axle Spacing	Laden Ride Height	Unladen Ride Height
Hendrickson RT463 6" saddle	46K	52"	10.0"	11.1"
Hendrickson RT463 6" saddle	46K	54"	10.0"	11.1"
Hendrickson RT463 7.19" saddle	46K	54"	11.2"	12.5"
Hendrickson RT463 7.94" saddle	46K	54"	11.9"	13.3"
Hendrickson RT463 6" saddle	46K	60"	10.0"	11.1"
Hendrickson RT463 7.94" saddle	46K	60"	11.9"	13.0"
Hendrickson RTE463 7.19" saddle	46K	52"	10.5"	11.6"
Hendrickson RT523 6" saddle	52K	52"	9.9"	11.0"
Hendrickson RT523 6" saddle	52K	54"	9.9"	11.0"
Hendrickson RT523 7.19" saddle	52K	54"	11.1"	12.2"
Hendrickson RT523 11" saddle	52K	54"	14.9"	16.0"
Hendrickson RT523 6" saddle	52K	60"	9.9"	11.0"
Hendrickson RT523 7.19" saddle	52K	60"	11.1"	12.2"

CHALMERS 854 TANDEM SUSPENSION

Shown with a 54" Axle Spacing



Optional Chalmers Tandem Suspensions

TABLE 3-20. Rear Suspension Options

Suspension Type	Rating	Axle Spacing	Laden Ride Height	Unladen Ride Height
Chalmers 854-40-L	40K	54"	8.9"	11.1"
Chalmers 854-40-L-HS	40K	54"	9.6"	11.1"
Chalmers 854-40-H	40K	54"	10.2"	12.4"
Chalmers 854-40-H-HS	40K	54"	10.9"	12.4"
Chalmers 854-46-L	46K	54"	8.9"	11.3"
Chalmers 854-46-L-HS	46K	54"	9.6"	11.3"
Chalmers 854-46-H	46K	54"	10.1"	12.5"
Chalmers 854-46-H-HS	46K	54"	10.9"	12.5"
Chalmers 854-50-L	50K	54"	8.9"	11.3"
Chalmers 854-50-L-HS	50K	54"	9.6"	11.3"
Chalmers 854-50-H	50K	54"	10.1"	12.5"

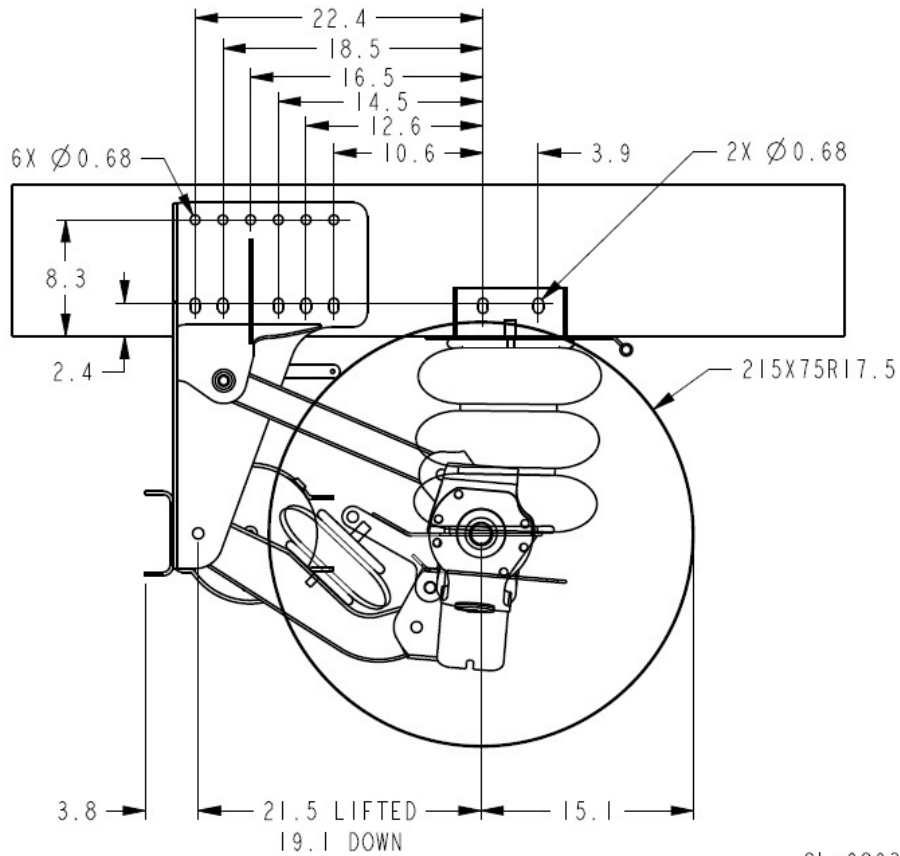
Suspension Type	Rating	Axle Spacing	Laden Ride Height	Unladen Ride Height
Chalmers 854-50-H-HS	50K	54"	10.9"	12.5"
Chalmers 854-52-L-HS	52K	54"	9.6"	11.3"
Chalmers 854-52-H-HS	52K	54"	10.9"	12.5"
Chalmers 860-40-L	40K	60"	8.9"	11.1"
Chalmers 860-46-L	46K	60"	8.9"	11.3"
Chalmers 860-46-L-HS	46K	60"	9.6"	11.3"
Chalmers 860-46-H	46K	60"	10.1"	12.5"
Chalmers 860-46-H-HS	46K	60"	10.9"	12.5"
Chalmers 860-52-H	52K	60"	10.9"	12.5"
Chalmers 872-46-H-HS	46K	72"	11.0"	12.5"

LIFT AXLES (PUSHERS AND TAGS)

The rear pusher axle layouts are provided as a tool to help layout bodies prior to arrival. The applicable dimensions are shown. When using the pusher layouts to determine available frame space please be aware that clearances required are not shown. For information that may not be detailed in these drawings work with your local Peterbilt Dealer to request that information.

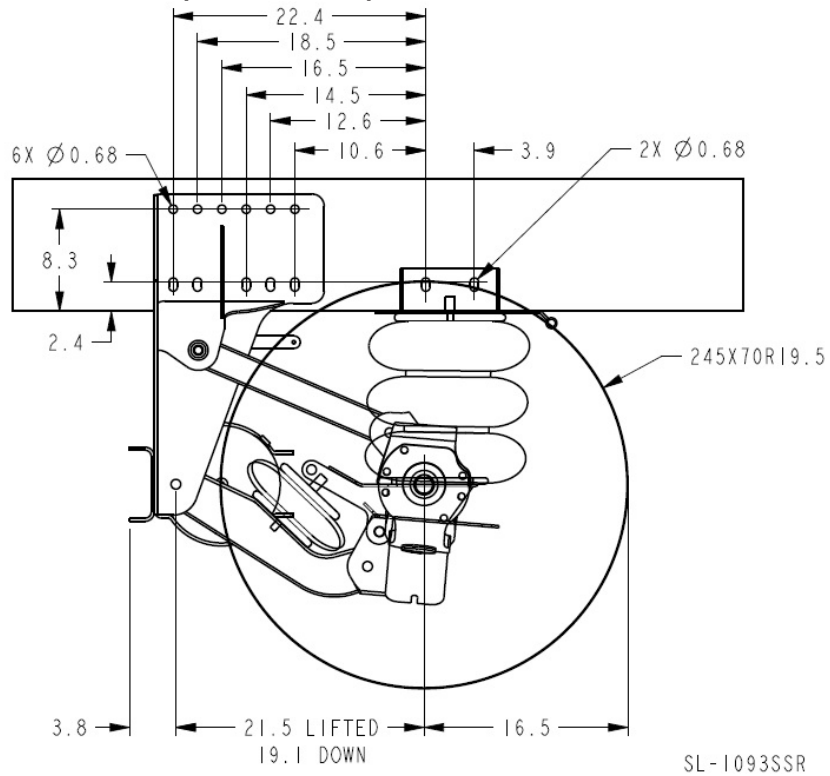
Peterbilt will automatically install highest lift axle kit as applicable based on chassis frame height and loading conditions. Lift axle available run range it utilized, along with frame height and lift axle tire size to identify applicable kits that can be installed. Installing highest lift axle kit will maximize ground clearance when axle is in lifted state. If needed, kit may be lowered in order to clear driveline when in lifted state.

Watson & Chalin 8K Steerable (SL0893SSR)

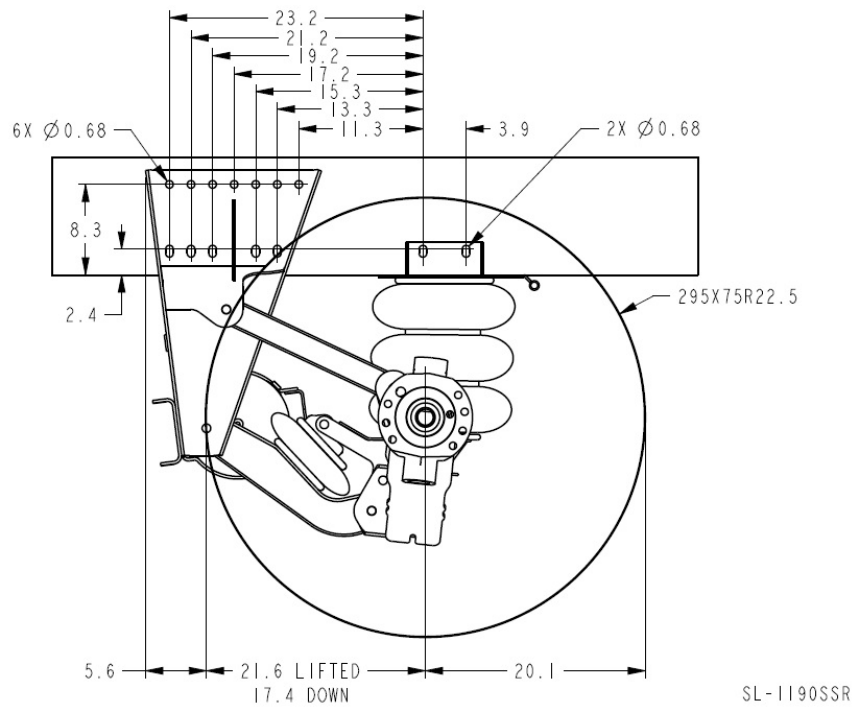


SL-0893SSR

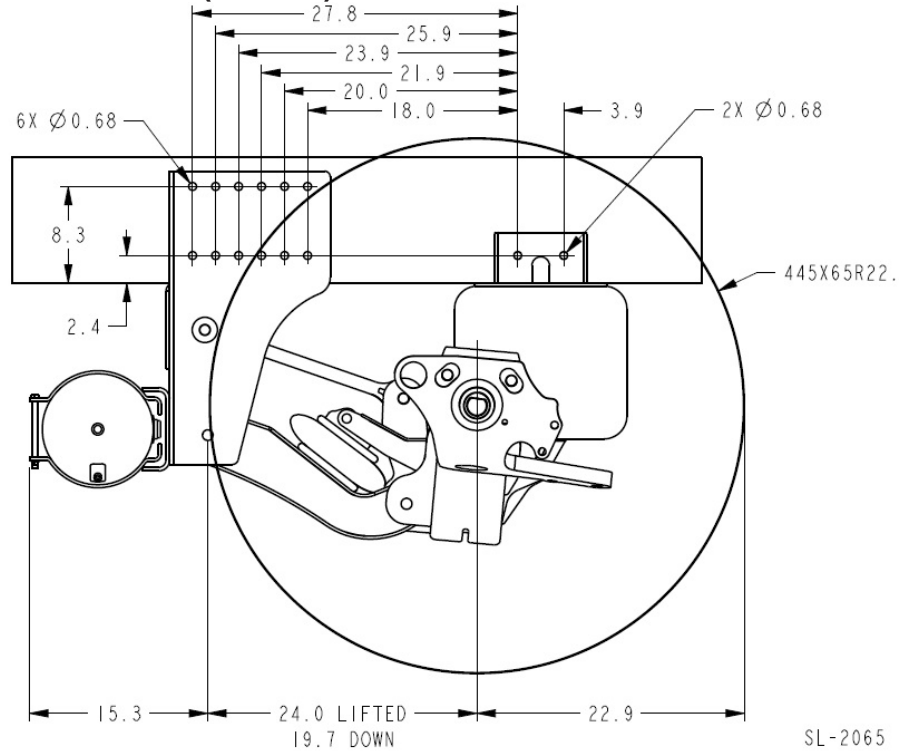
Watson & Chalin 10K Steerable (SL1093SSR)



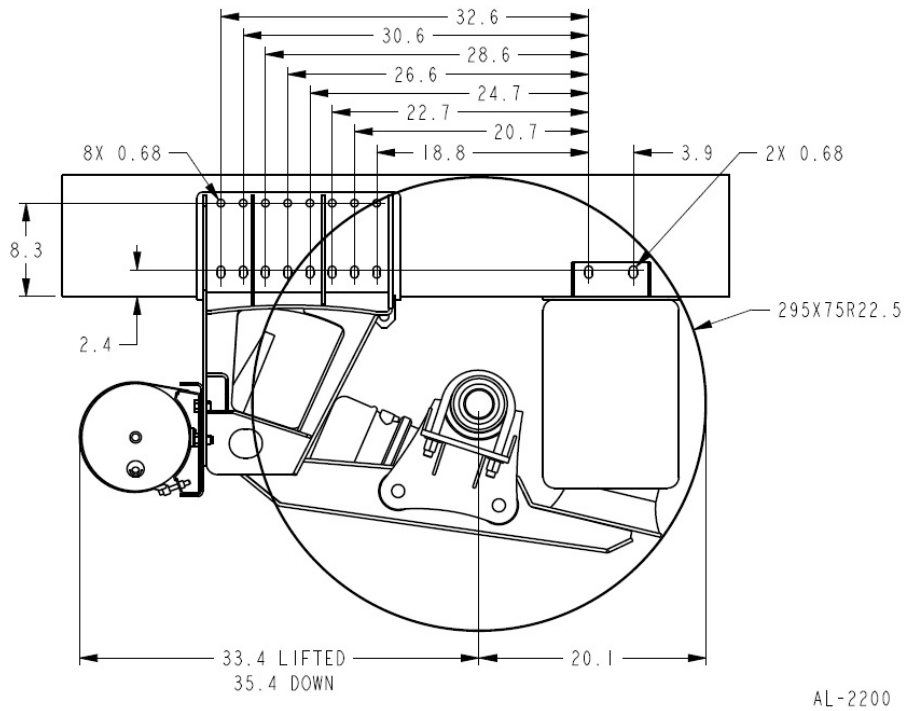
Watson & Chalin 13.5K Steerable (SL1190SSR)



Watson & Chalin 20K Steerable (SL2065)



Watson & Chalin 23K Non-Steerable (AL2200)



AXLE TRACK AND TIRE WIDTH

The dimensions provided in this section are representative of some typical product combinations. The purpose of this section is to demonstrate some of the typical dimensions.

- Axle Track: The distance between the dual tire centerlines on a dual tire arrangement or the distance between the tire centerlines on a single tire arrangement.
- Width: The distance over the outermost tire sidewall to sidewall.

These dimensions may be significant to the following:

- Appearance relative to other tires and chassis mounted equipment.
- Load carrying capacity. Different wheel disc offset can have a positive or negative impact on the axle carrying capacity of the axle.

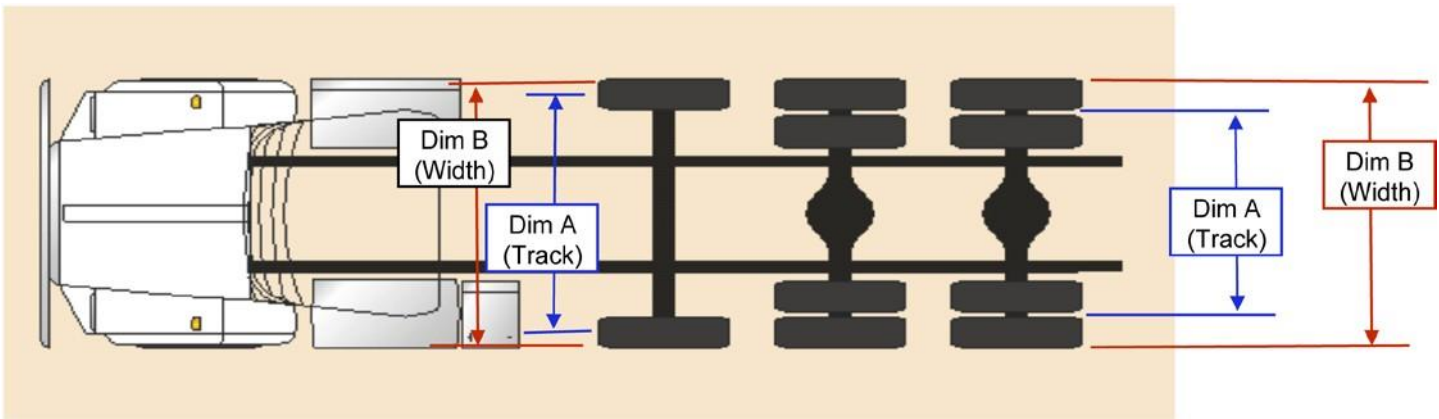


TABLE 3-21. Axle Width Calculation.

Axle - Drive	Wheel	Tire	Configuration	Track Dim "A"	Overall Width Dim "B":
Meritor RT46-160(P)(EH) 46K Dual Dana Spicer D46-170(H)(P) 46K Dual	Alcoa 88367 22.5X8.25	11R22.5	4-4	73.3"	97.8"
Meritor RT46-160(P)(EH) 46K Dual Dana Spicer D46-170(H)(P) 46K Dual	Alcoa 98363 24.5X8.25	11R24.5	4-4	73.6"	98.0"
Meritor RT46-160WT(P)(EH) 46K Dual Wide Track Dana Spicer D46-170W(H)(P) 46K Dual Wide Track	Alcoa 88367 22.5X8.25	11R22.5	4-4	79.2"	103.7"
Meritor RT46-160WT(P)(EH) 46K Dual Wide Track Dana Spicer D46-170W(H)(P) 46K Dual Wide Track	Alcoa 98363 24.5X8.25	11R24.5	4-4	79.5"	103.9"
Dana Spicer D46-170(H)(P) 46K Dual Meritor RT46-160(P)(EH) 46K Dual	Alcoa 82262 22.5X12.25	425/65R22.5	2-4	72.7"	88.9"
Meritor RT46-160WT(P)(EH) 46K Dual Wide Track Dana Spicer D46-170W(H)(P) 46K Dual Wide Track	Alcoa 82262 22.5X12.25	425/65R22.5	2-4	78.7"	94.9"

Axle - Steer	Wheel	Tire	Brake Drum Type	Track Dim "A"	Overall Width Dim "B:"
Meritor MFS13 Std Track Dana Spicer E-1322I 13.2K	Alcoa 98363 24.5X8.25	11R24.5	CAST	80.2"	91.0"
Meritor MFS13 Wide Track Dana Spicer E-1322W 13.2K	Alcoa 98363 24.5X8.25	11R24.5	CAST	82.2"	93.0"
Meritor MFS20 Std Track Dana Spicer D2000 20K	Alcoa 82362 22.5X12.25	425/65R22.5	CAST	86.5"	102.7"
Meritor MFS20 Std Track Dana Spicer D2000 20K	Alcoa 82462 22.5X12.25	425/65R22.5	CAST	82.6"	98.8"

Lift Axle Model	Wheel	Tire	Wheel Orientation	Track Dim "A"	Overall Width Dim "B"
W&C SL0893SSR 8K Steerable	Alcoa 66480 17.5x6	215/75R17.5	Same as FR	77.3"	85.8"
W&C SL1093SSR Steerable 10K	Alcoa 77349 19.5x7.5	265/70R19.5	Same as FR	78.5"	88.5"
W&C SL1190SSR Steerable 13.5K	Alcoa 88367 22.5x8.25	255/70R22.5	Same as FR	80.4"	90.7"
W&C SL2065 Steerable 20K	Alcoa 82362 22.5x12.25	425/65R22.5	Same as FR	83.6"	99.8"
W&C SL2200 Steerable 23K	Alcoa 88367 22.5x8.25	295/75R22.5	Same as RR, dual	78.2"	102.8"
W&C AL2200-STD Track Non-Steerable 23K	Alcoa 88367 22.5x8.25	11R22.5	Same as RR, dual	72.2"	96.6"
W&C AL2200-STD Track Non-Steerable 23K	Alcoa 82362 22.5x12.25	425/65R22.5	Same as RR, single	78.4"	94.7"
W&C AL2200-Wide Track Non-Steerable 23K	Alcoa 89465 22.5x9	315/80R22.5	Same as FR, single	64.7"	77.3"
W&C AL2200-Wide Track Non-Steerable 23K	Alcoa 84362 22.5x14	445/50R22.5	Same as RR, single	80.6"	97.7"

FRONT DRIVE AXLE, PTO'S AND AUXILIARY TRANSMISSIONS

The front drive axle, PTO, and auxiliary transmission layouts are provided as a tool to help layout bodies prior to arrival. For information not detailed in these drawings, work with the local Peterbilt dealer to request that information.

EXAMPLES

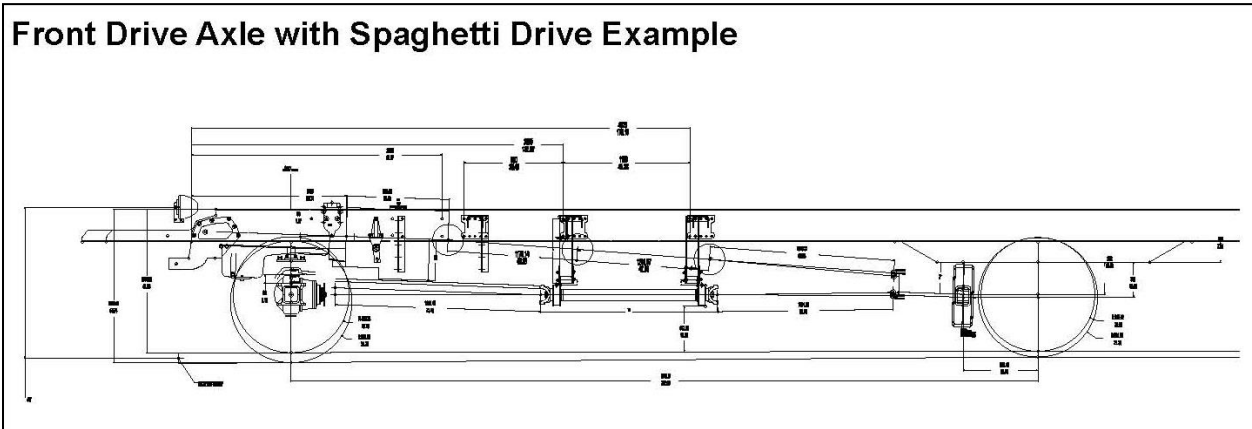


FIGURE 3-24. Front Drive Axle with Spaghetti Drive Example

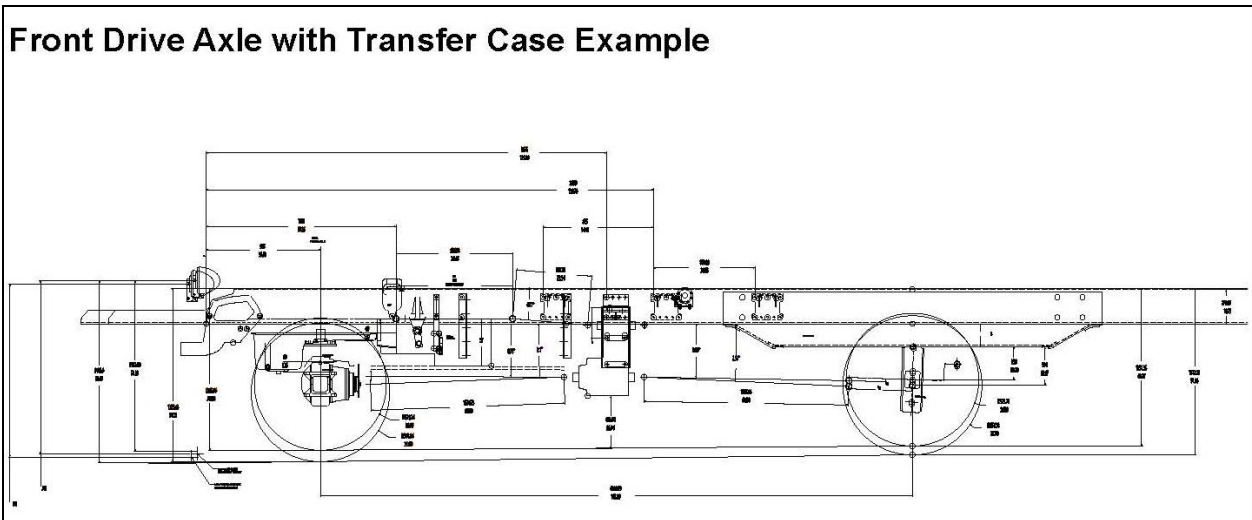


FIGURE 3-25. Front Drive Axle with Transfer Case Example

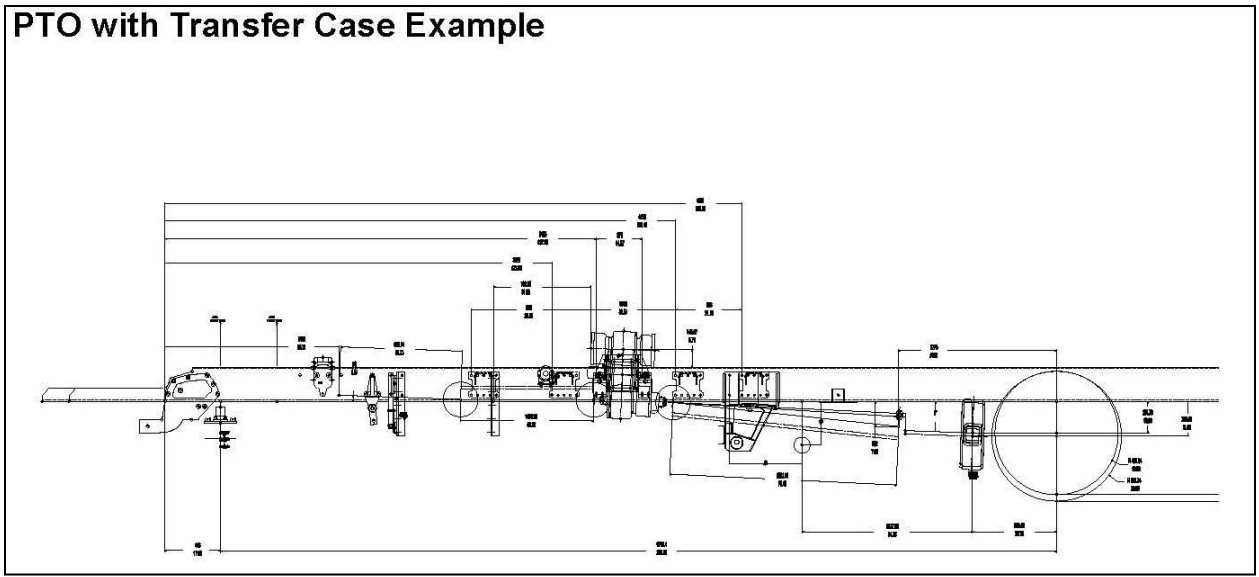


FIGURE 3-26. PTO with Transfer Case Example

Auxiliary Transmission, AT1202, Example

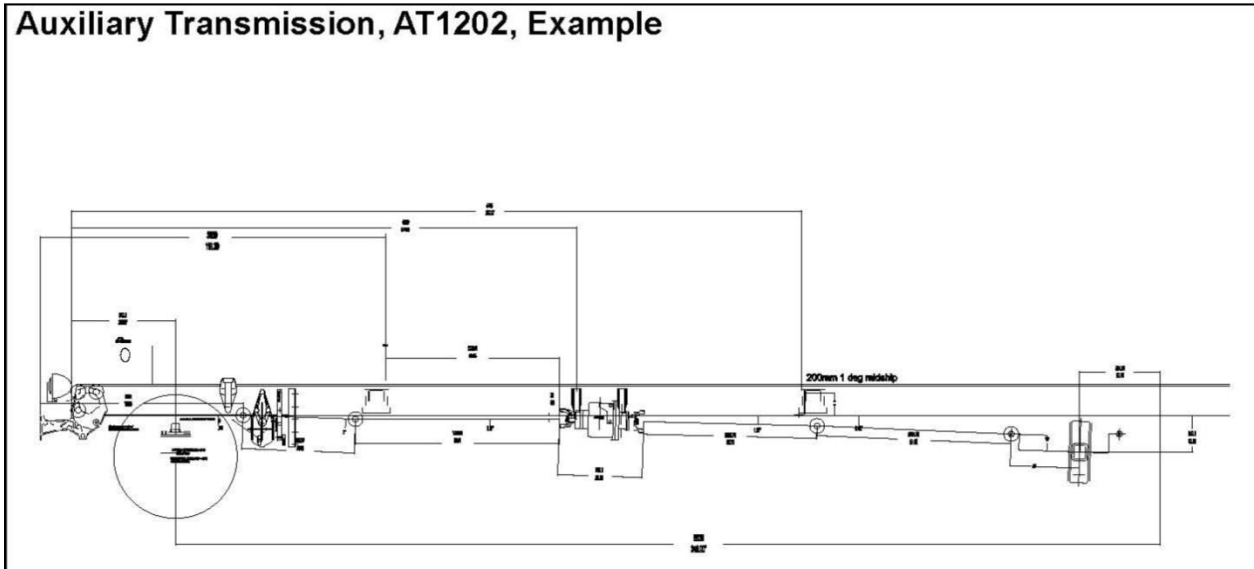


FIGURE 3-27. PTO with Transfer Case Example

Auxiliary Transmission, AT1750-4C, Example

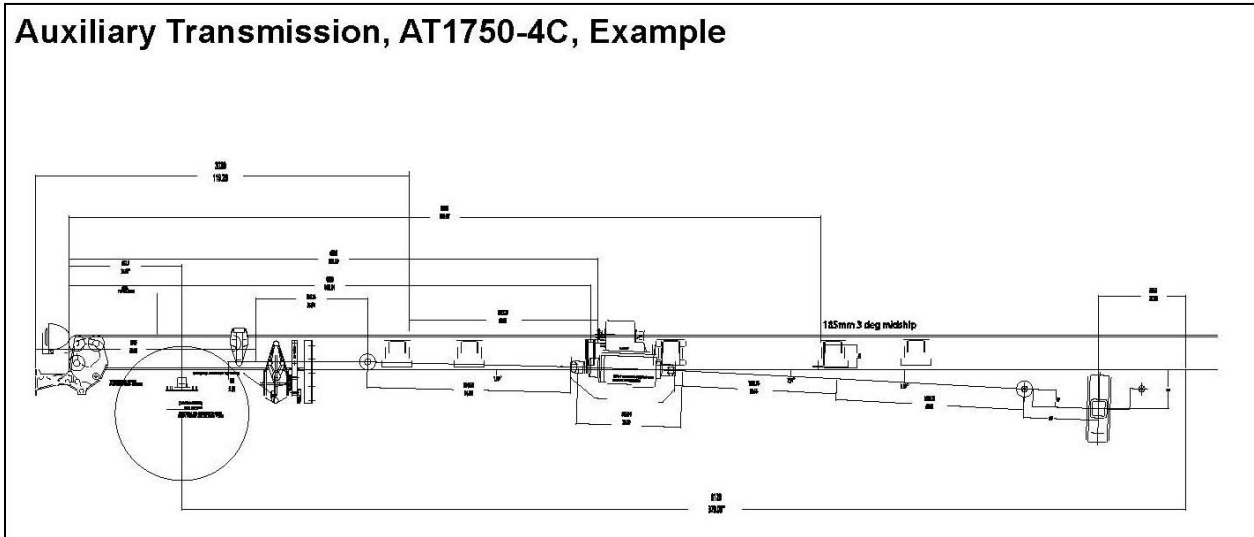


FIGURE 3-28. PTO with Transfer Case Example

GUPPY OUTSERTS

The rear suspension guppy outsert layouts are provided as a tool to help layout bodies prior to arrival. For information not detailed in these drawings, work with the local Peterbilt dealer to request that information.

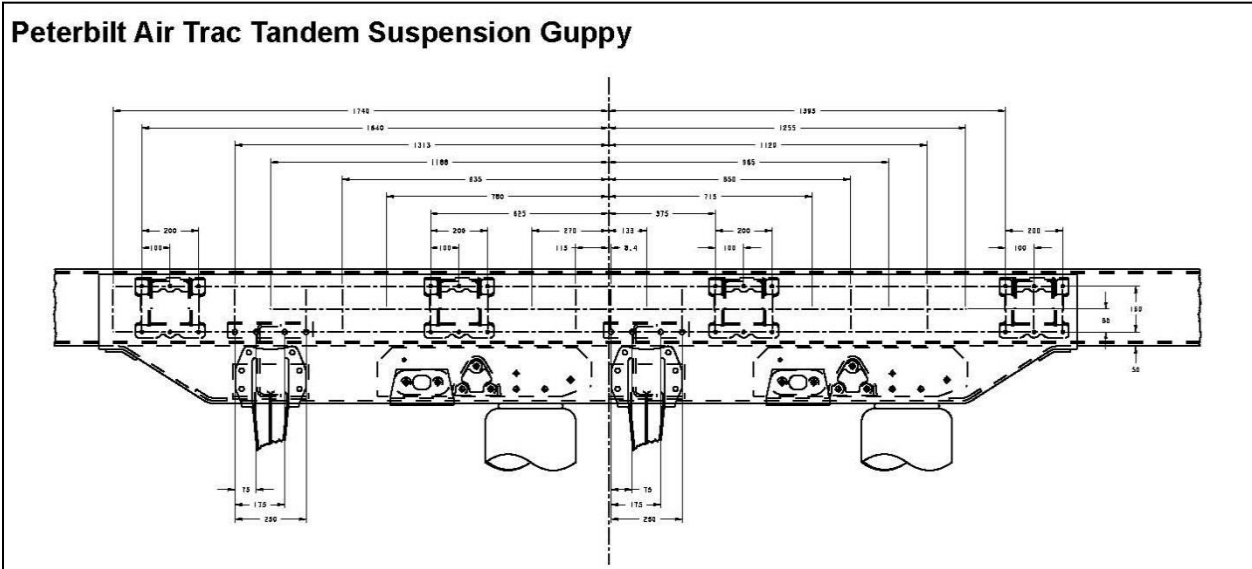


FIGURE 3-29. Peterbilt Air Trac Tandem Suspension Guppy

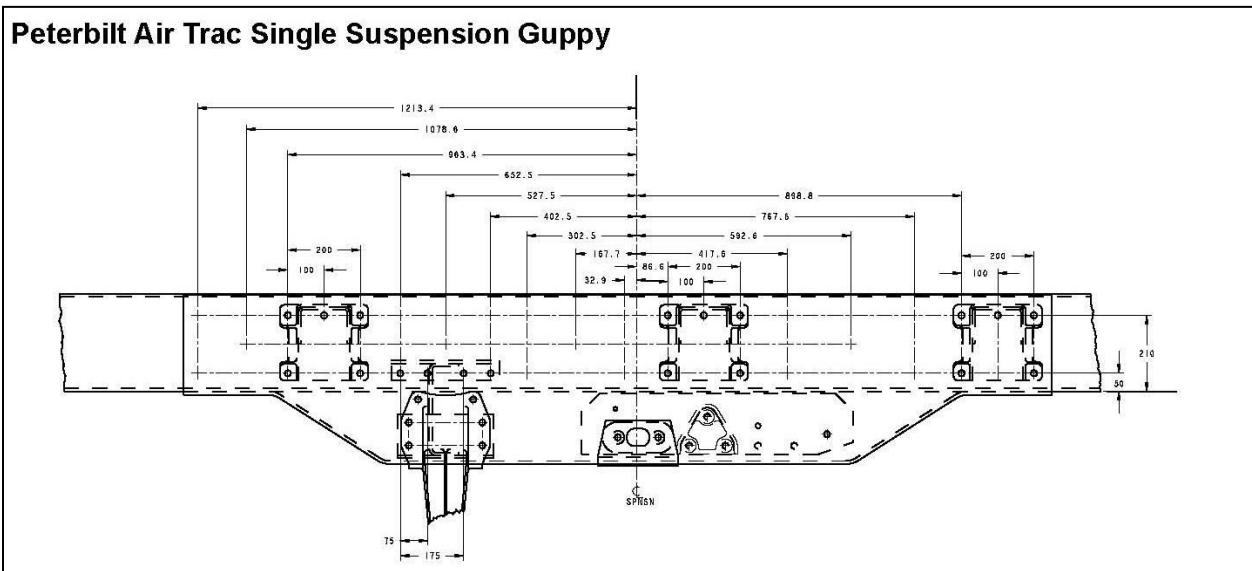


FIGURE 3-30. Peterbilt Air Trac Single Suspension Guppy

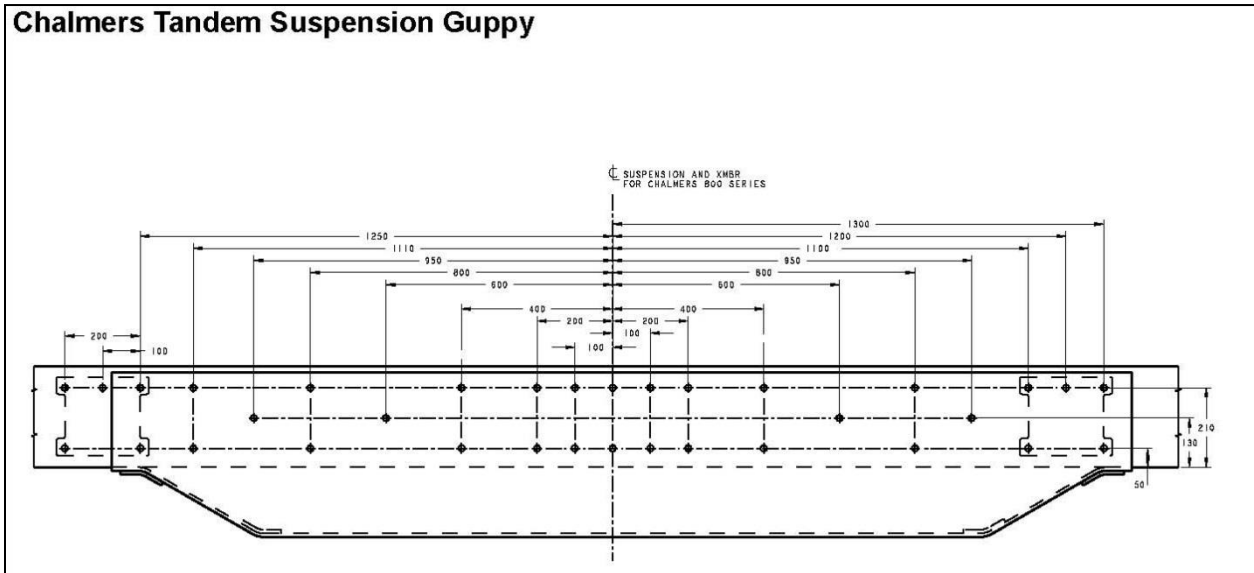


FIGURE 3-31. Chalmers Tandem Suspension Guppy

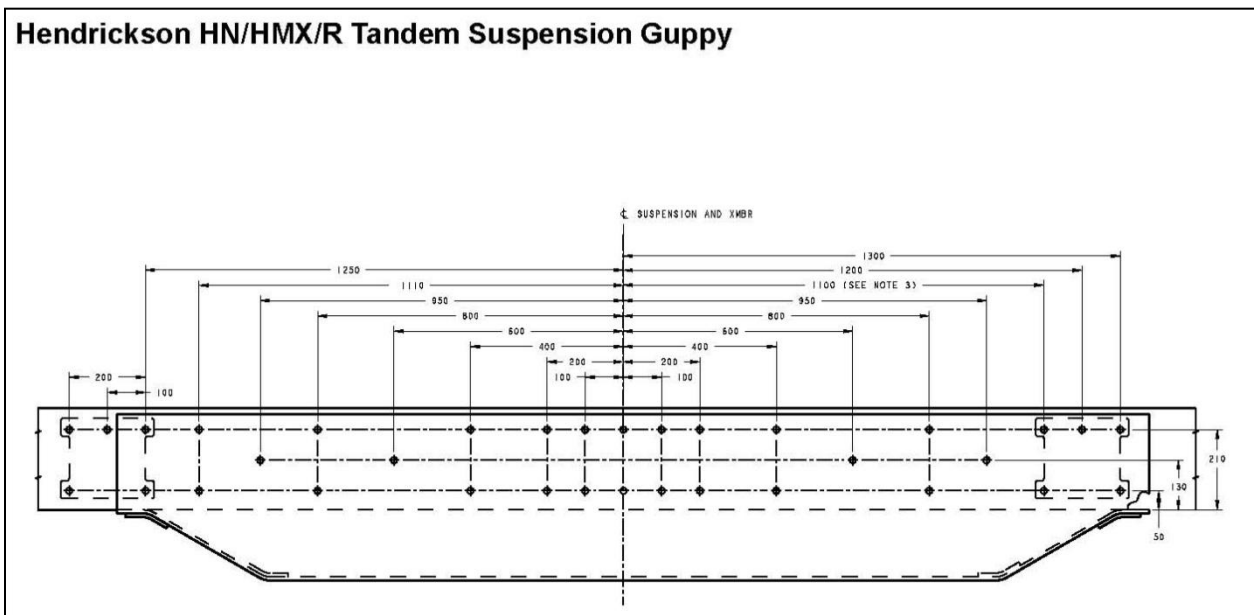


FIGURE 3-32. Hendrickson HN/HMX/R Tandem Suspension Guppy

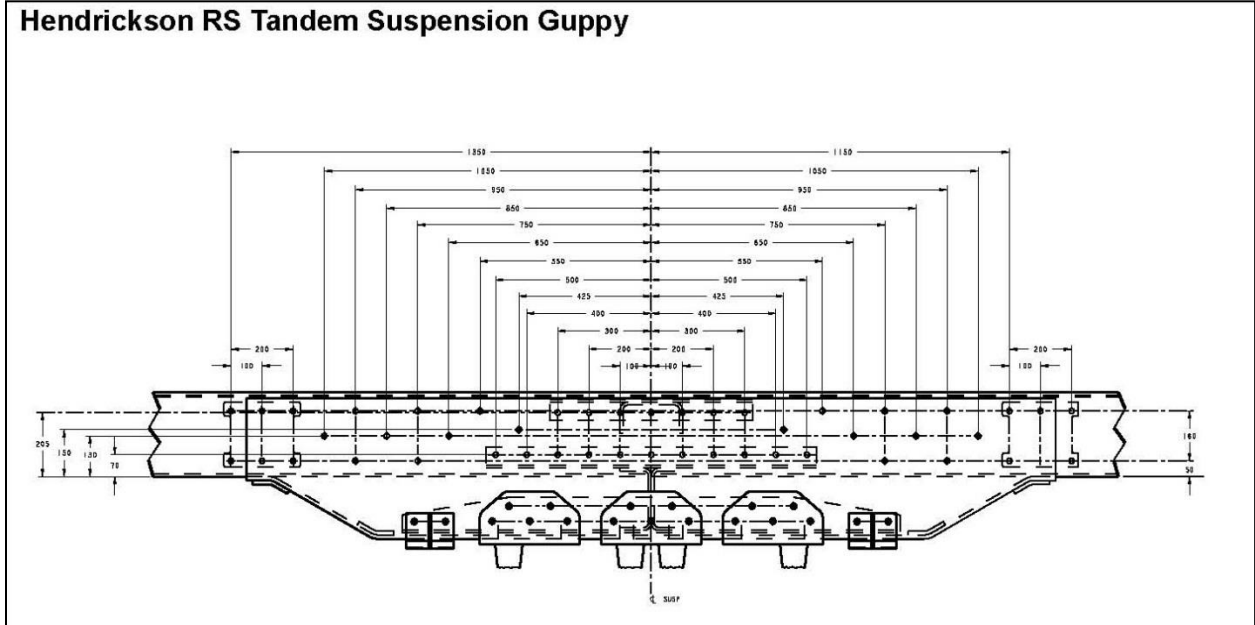


FIGURE 3-33. Hendrickson RS Tandem Suspension Guppy

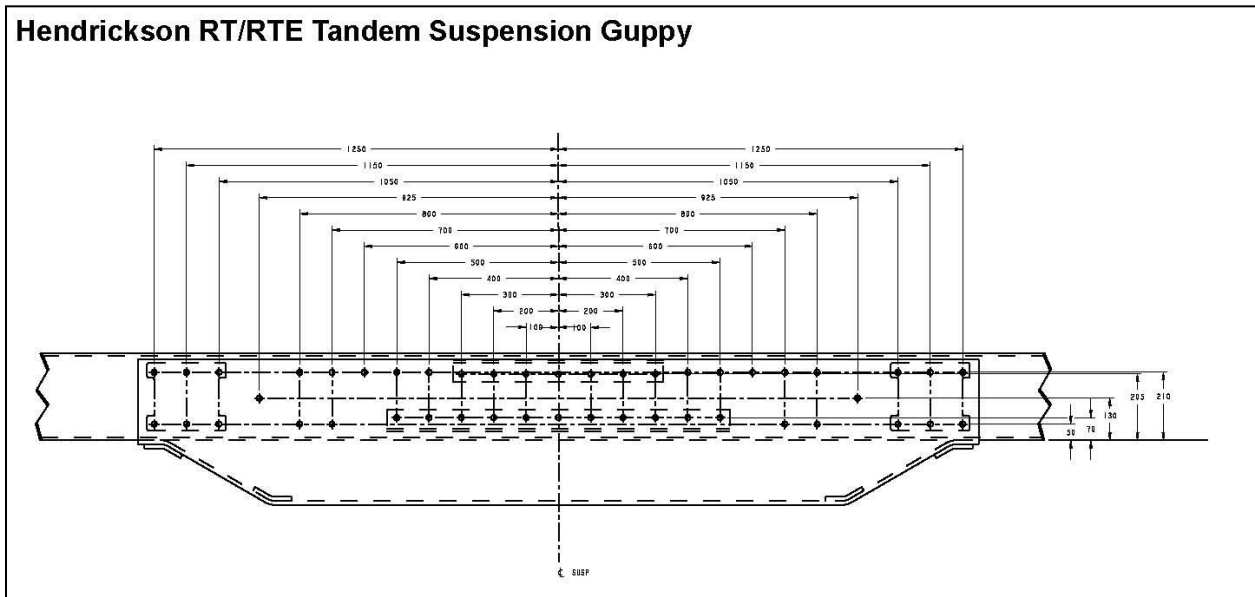


FIGURE 3-34. Hendrickson RT/RTE Tandem Suspension Guppy

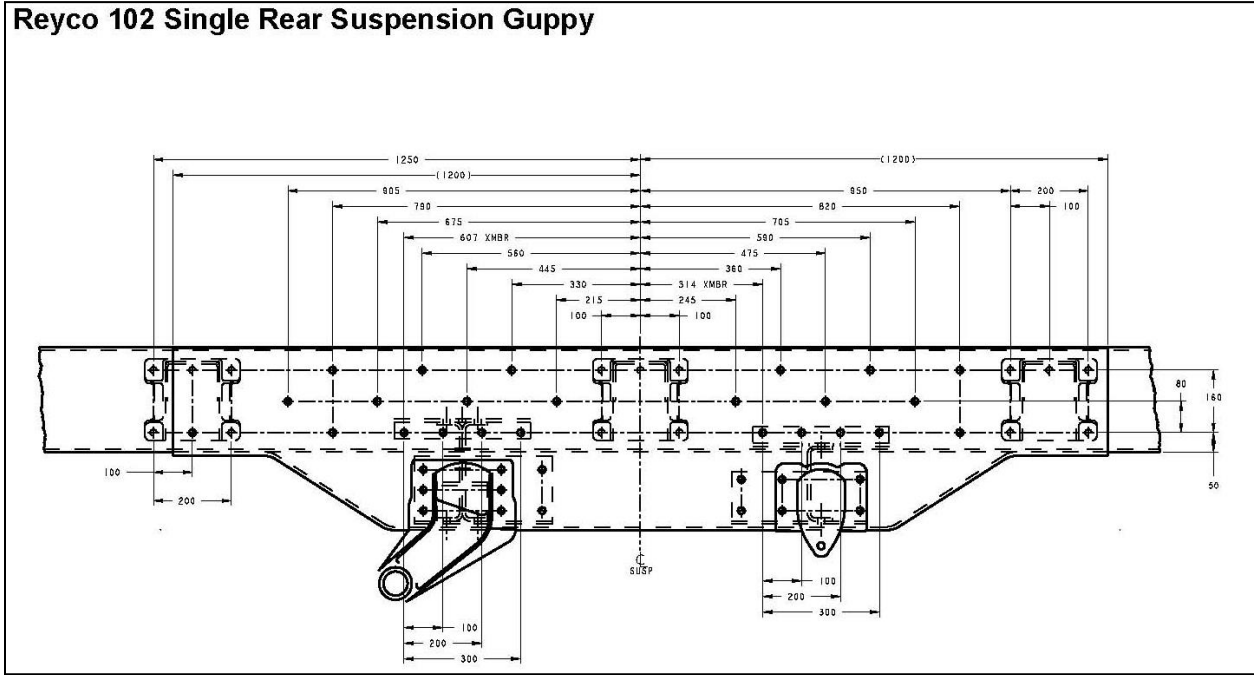


FIGURE 3-35. Reyco 102 Single Drive Suspension Guppy

EXHAUST HEIGHT CALCULATIONS

The exhaust height calculations are provided as a tool to help layout bodies prior to arrival as well as aid in exhaust configuration selection.

Please work with the local Peterbilt Dealer to request additional information if required.

The overall exhaust height (EH) can be estimated based on the following formula: $EH = Y + SPL + (A + B + C + D) / 2$

TABLE 3-22. Exhaust Heights

Y = DISTANCE FROM BTM OF FRAME RAIL TO BTM OF STANDPIPE				
Exhaust Location	389-131	389-123, 367, 365	579, 567	389-123 w/ Low Profile Alum Hood
SOC Mounted (Day Cab)	67.2	69.2	70.2	67.2
SOC Mounted (Sleeper)	67.2	69.2	67.6	67.2
BOC Mounted	N/A	70.7	69.2	68.7
Frame Mounted	N/A	84.9	86.0	N/A

NOTES:

- 4) For "A" and "C" values, reference the FRAME HEIGHTS section for front or rear suspension height.
- 5) For "B" and "D" values, reference the tire manufacturer's website or catalog for static loaded radius (SLR).
- 6) For Stand Pipe Length (SPL) values, reference the truck sales order.

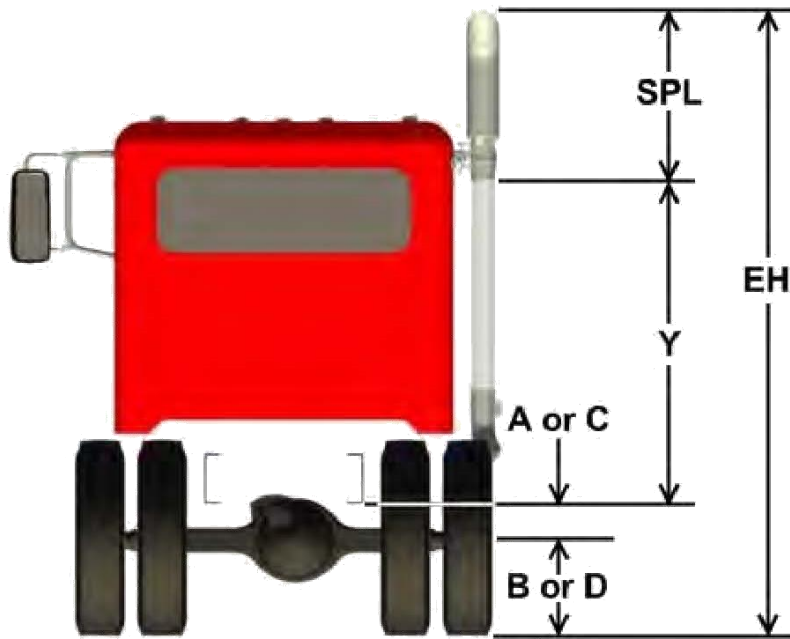


FIGURE 3-36. Exhaust Height Calculations

GROUND CLEARANCE CALCULATIONS

The ground clearance tables are provided as a tool as a tool to help layout bodies prior to arrival, not all optional equipment is included.

The ground clearance (GC) can be estimated based on the following formula: $GC = (A + B + C + D) / 2 - Y$

TABLE 3-23. Ground Clearance

Y = DISTANCE FROM BOTTOM OF FRAME TO BOTTOM OF COMPONENT	
Component	Y
RHUC DPF/SCR	16.7
Horizontal Under Frame DPF/SCR	16.6
Battery/Tool Box	15.4
Space Saver Battery Box (w/o Air Tanks or Step)	3.9
Space Saver Battery Box (w/ Air Tanks or Step)	12.7
Frame Mounted Ladder Step	13.9
20" Diameter Fuel Tank	12.4
23" Diameter Fuel Tank	15.2
26" Diameter Fuel Tank	18.0
DEF Tank	16.1

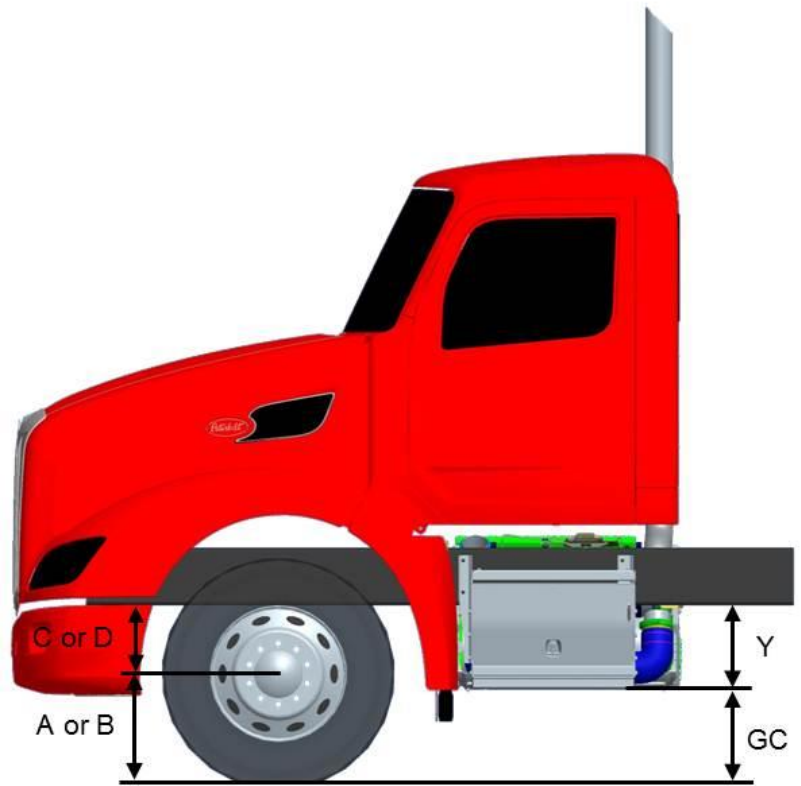


FIGURE 3-37. Ground Clearance Calculations

NOTES:

- 1) For "A" and "C" values, reference the FRAME HEIGHTS height.
- 2) For "B" and "D" values, reference the tire manufacturer's radius (SLR).

sion
ded

OVERALL CAB HEIGHT CALCULATIONS

The overall cab height tables are provided as a tool to help layout bodies prior to arrival, no roof mounted equipment is included.

The overall cab height (CH) can be estimated based on the following formula: $CH = (A + B + C + D) / 2 + Y$

TABLE 3-24. Overall Cab Height
Y = DISTANCE FROM BTM OF FRAME TO TOP OF STANDARD CAB ROOF

Model	Y
389-131, 389-123 Low Profile Hood	79.4
389-123, 367, 365	81.5
579/567	83.7

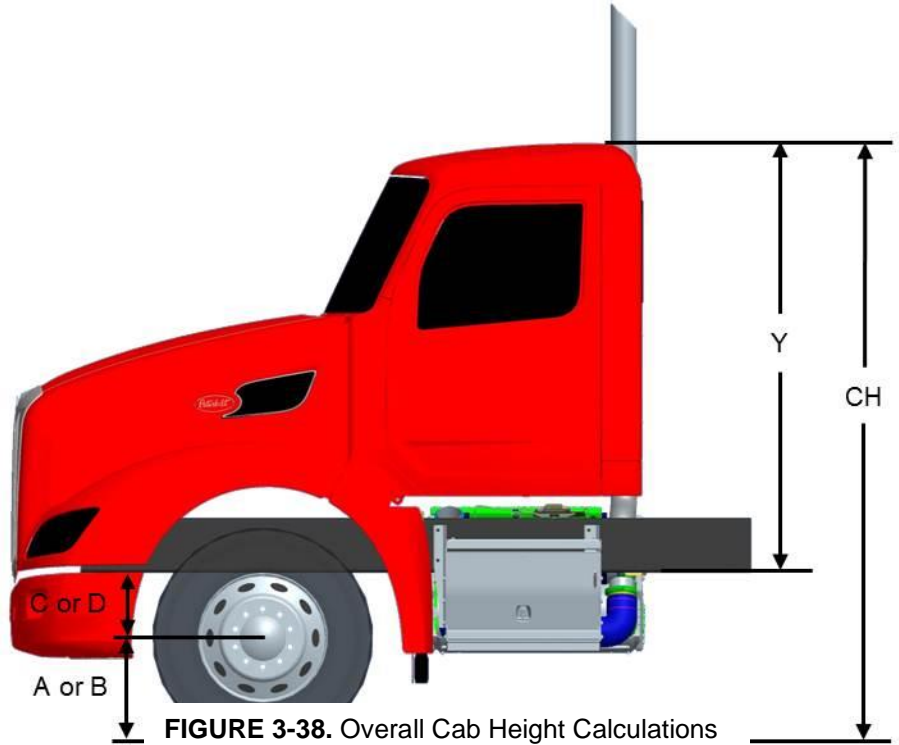


FIGURE 3-38. Overall Cab Height Calculations

NOTES:

- 1) For "A" and "C" values, reference the FRAME HEIGHT and tire loaded suspension.
- 2) For "B" and "D" values, reference the tire manufacturer's standard loaded radius (SLR).
- 3) Roof mounted content such as horns and antennas are not included.
- 4) For extended day cab configurations, add 5.8" to overall cab height.

FRAME COMPONENTS

This section includes drawings and charts related to common frame mounted components. Optional equipment may not be depicted.

Please work with the local Peterbilt Dealer to request additional information if required. At the dealer's request, Peterbilt can provide frame layouts for individual vehicles prior to delivery.

FUEL TANKS

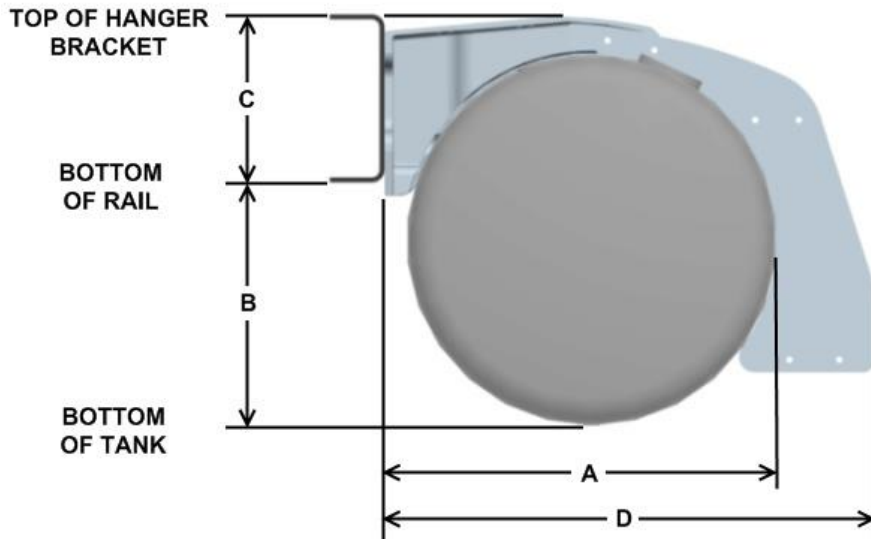


FIGURE 3-39. Fuel Tanks

TABLE 3-25. Fuel Tank Dimensions

	DIMENSIONS			
	A	B	C	D
20" TANK	22.7	12.4	10.3	27.5
23" TANK	24.5	15.2	10.5	31.0
26" TANK	27.2	18.0	10.6	33.7

TABLE 3-26. Fuel Tank Data

GALLONS		TANK LENGTH		
USEABLE	TOTAL	20"	23"	26"
40	46	33.3	N/A	N/A
50	57	43.2	34.5	26.7
60	67	51.3	40.7	31.5
70	78	57.3	46.8	36.2
80	89	65.3	52.9	41.0
90	99	N/A	59.0	45.7
100	110	N/A	*65.1	50.5
110	121	N/A	N/A	55.2
120	131	N/A	77.3	60.0
135	147	N/A	N/A	66.8
150	163	N/A	N/A	*74.0

NOTES:

- 1) * Largest capacity without a weld seam.

DEF TANKS

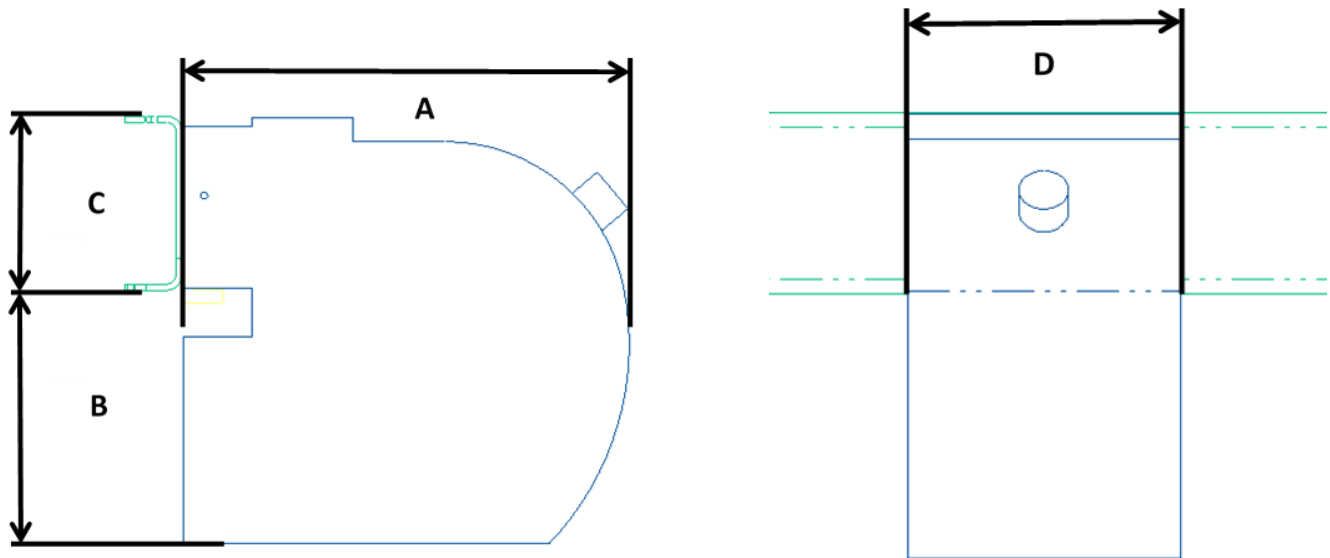


FIGURE 3-40. DEF Tank Dimensions (Medium Tank Shown)

TABLE 3-27. DEF Tank Dimensions and Data

DESCRIPTION	GALLONS	A"	B"	C"	D"
SMALL DEF TANK	10.2	27.7	15.7	Varies	10.2
MEDIUM DEF TANK	16.1	27.7	15.7	Varies	16.1
LARGE DEF TANK	20.1	27.7	15.7	Varies	20.1
MEDIUM AERO	13.9	28.9	15.7	Varies	13.9
LARGE AERO	17.9	28.9	15.7	Varies	17.8

Note: Dimension C will be equal to the height of the ordered frame rails. For example, 10-5/8" frame rails dimension C will be 10.625".

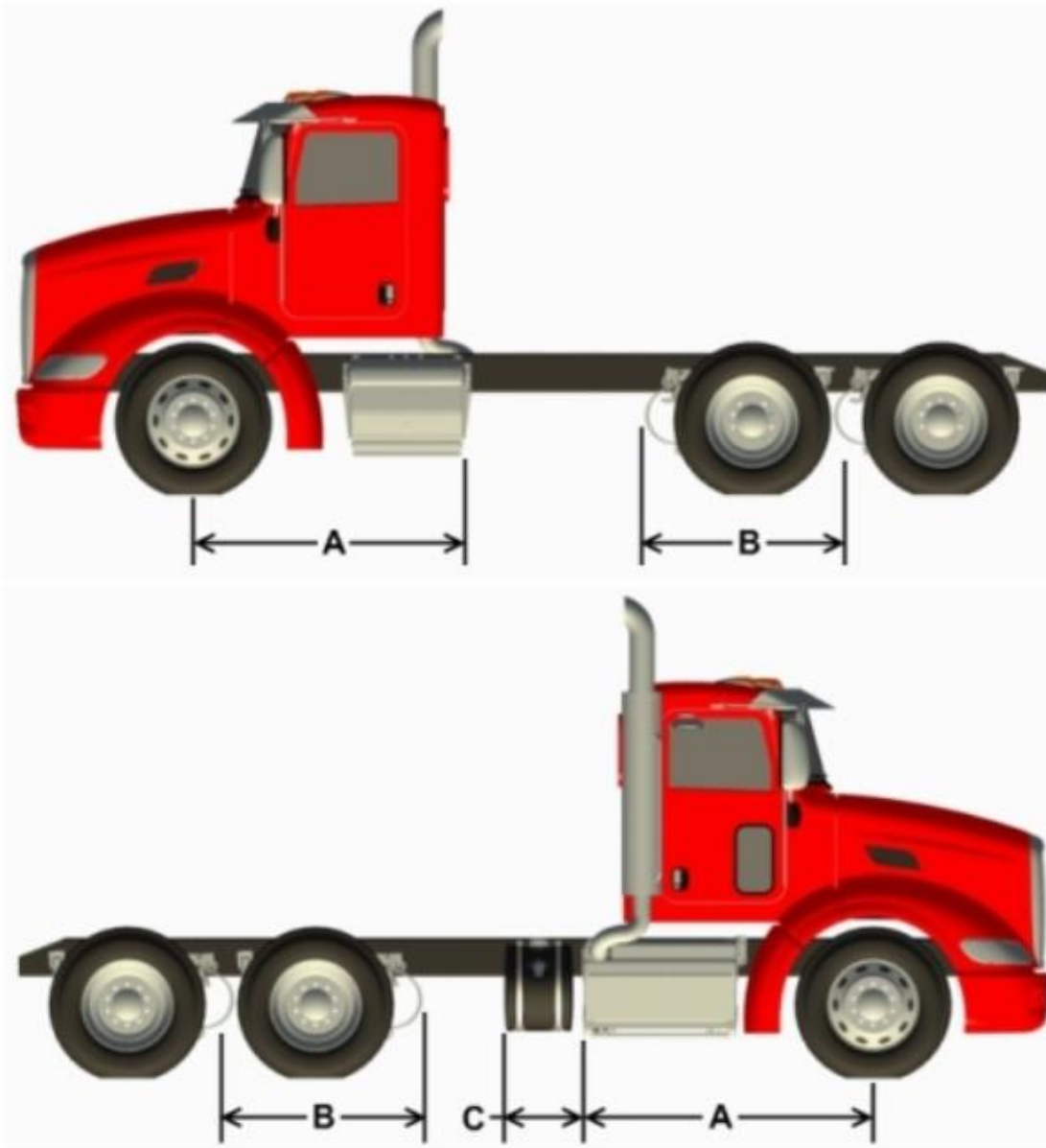
OTHER FRAME COMPONENTS

TABLE 3-28. Other Frame Component Dimensions

DESCRIPTION	LENGTH
STANDARD BOC BATTERY BOX	40.9
STANDARD BOC TOOL BOX	31.6
SPACE SAVER BATTERY BOX W/ STEP	28.2
SPACE SAVER BATTERY BOX W/O STEP	25.1
FRAME MOUNTED LADDER STEP	12.8

FRAME SPACE REQUIREMENTS

This section includes drawings and charts related to frame space components to ensure adequate space for fuel tanks, ladder steps, additional tool/battery boxes, pusher axles and other frame mounted components, the amount of available space must be calculated by using the formula below.



BASIC FORMULA: BOC Frame Space = Wheelbase - Dimension A - Dimension C - Dimension B

Dimension "A" (shown in charts on following pages) is the minimum clearance measured from the centerline of the front axle to the back of the under cab component (DPF/SCR exhaust, fuel tank, battery box, tool box, etc). Dimension "C" is the amount of space from the rear of the under cab component to the back of the DEF tank (can be on LH or RH rail). Dimension "B" is the amount of required suspension and quarter fender clearance from the rear axle centerline to clear rail for a given suspension.

REAR SUSPENSION

TABLE 3-29. Rear Suspension Frame Space Requirements

FRAME SPACE REQUIREMENTS			
DIMENSION "B" IN INCHES (52" Axle Spacing on Tandems)			
REAR SUSPENSION	"B"	OVERHANG (1)	NOTES
AIR LEAF	53.0	53.0	2
LOW/LOW LOW AIR LEAF	62.4	53.0	
LOW AIR LEAF SINGLE	36.5	27.0	
AIR TRAC SINGLE	27.0	27.0	3
AIR TRAC TANDEM	53.0	53.0	3
FLEX AIR	59.0	53.7	8
CHALMERS 800 (54" SPACING)	49.0	52.0	4
HENDRICKSON HLM / AL	26.6	N/A	6, 7
HENDRICKSON HLR2	30.5	N/A	6, 7
HENDRICKSON HMX, HN	53.0	54.0	
HENDRICKSON R/RS/RT/RTE	53.0	53.0	3
HENDRICKSON SC20	25.6	15.0	6, 7
HENDRICKSON SC8/10/13, FX, FXO, SCO	23.6	13.8	5, 6, 7
NEWAY ADZ (54" SPACING)	61.0	58.3	
REYCO 102 SINGLE	30.0	25.8	
REYCO 102AR SINGLE	30.0	31.0	
REYCO 102 TANDEM	56.0	52.7	
REYCO 79KB	30.1	32.2	
WATSON-CHALIN AL2200	26.6	22.2	6, 7
WATSON-CHALIN SL0893SSR	27.6	11.8	5, 6, 7
WATSON-CHALIN SL1093SSR	27.6	11.8	6, 7
WATSON-CHALIN SL1190SSR	26.0	12.8	6, 7
WATSON-CHALIN SL2065	28.8	14.4	6, 7

Notes:

1. Overhang for tractor taper EOF and standard mudflap hangers on suspensions; Square EOF w/o Crossmember for Lift Axles.
2. Add 2.0" to "B" dimension with quarter fenders.
3. Add 1.5" to "B" dimension with quarter fenders.
4. Add 0.6" to "B" dimension with quarter fenders.
5. Add 2.8" to "B" dimension with quarter fenders.
6. Add 3.0" to "B" dimension if pusher is mounted behind sleeper. The suspension bracket protrudes 3" BOS.
7. "B" dimension is from axle centerline (or bogie for tandem) to clear frame forward.
8. Extended Tractor Taper requires 58.0" overhang.

Model: 579-124" BBC SBFA and 567-121" BBC SBFA w/o Chassis Fairings
 FAX to BOC= 74.1"

Under Cab Component "A" Dim					DEF Tank Dimension "C"		
					LH DEF Tank W/RHUC DPF/SCR		
Fuel Tank Diameter	Capacity in Gallons	DC and xx" Slpr	Exhaust	"A"	Small	Medium	Large
				LH, RH Rail			
23"	50	DC, 58", 72", 80"		71.1	14.4	21.4	23.4
	60	DC, 58", 72", 80"		74.9	11.8	21.6	23.6
	70	DC, 58", 72", 80"	W/O DSOC	81.1	13.5	19.3	23.3
		DC, 58", 72", 80"	W/DSOC	81.10	15.4	19.3 RH 16.4 LH	27.2
	80	DC, 58", 72", 80"		87.3	13.2	17.1	21.0
	90	58"	W/O DSOC	93.5	12.9	20.7	
		DC, 72", 80"	W/O DSOC	93.5	12.9	20.7	22.7
	100	58"		99.4	12.9		
		DC, 72", 80"		99.4	12.9	20.7	11.9
	120	72"		111.7	12.4	20.2	
DC, 80"			111.7	12.4	20.2	22.2	
26"	70	DC, 58", 72", 80"	W/O DSOC	70.5	12.2	22.2 RH 20.6 LH	24.0
		DC, 58", 72", 80"	W/DSOC	71.9	16.8	22.2 RH 20.6 LH	22.6
	80	DC, 58", 72", 80"		75.2	13.5	19.3	23.3
	90	DC, 58", 72", 80"	W/O DSOC	80	12.6	20.4	22.4
		DC, 58", 72", 80"	W/DSOC	83.9 (RH 80)	12.6 LH 16.5 RH	20.5 LH 24.4 RH	22.2 LH 26.3 RH
	100	DC, 58", 72", 80"		84.8	11.7	19.6	21.5
	110	DC, 58", 72", 80"		89.4	13.0	18.9	21.9
	120	58"		94.2	12.2	20.0	
		DC, 72", 80"		94.2	12.2	20.0	22.0
	135	58"		101.1	13.1		
		DC, 72", 80"		101.1	13.1	19.0	22.9
	150	72"		108.1	12.0	12.0	
DC, 80"			108.1	12.0	19.9	21.9	
Under Cab Boxes					DEF Tank Dimension "C" w/ Under Cab Boxes W/RHUC DPF/SCR		
RHUC Box		Engine	Fairings	"A"	RH Small	RH Medium	RH Large
RHUC DPF/SCR HD Low HP		MX-11, MX-13, ISX15-1	NO	76.8	15.8	23.6	27.6
RHUC DPF/SCR HD High HP		ISX15-3	NO	77.3	15.3	23.1	27.1
RHUC DPF/SCR Aero w/o BOC		All	YES	78.8		15.7	19.7
RHUC DPF/SCR Aero W/BOC		All	YES	78.8		15.7	19.7
RH Batt/Tool Box				66.1			
Under Cab Component					LH Small	LH Medium	LH Large
LH Batt/Tool Box W/O DSOC			NO	66.1	20.6	26.4	28.4
LH Batt/Tool W/DSOC			NO	66.1	20.6	28.4	30.4
LH UnderCab Fairings To BOC			Yes	A+C			
DEF Tank with Undercab Fairings (RH/LH)			Yes	66.1	30.4	38.3	42.2

Open Frame Space = Wheelbase - (A + B + C)

- 1) Find the Under Cab Component "A" applicable to your spec for either RH or LH rail.
- 2) Find the total fuel capacity of the vehicle to determine the DEF tank size used.
- 3) Find the DEF tank dimension "C" dependent on U/C tanks, DPF/SCR position or bat/tool boxes
- 4) Note that the "B" dimension is the rear suspension clearance.
- 5) If you want to find BOC Protrusion Subtract the A (or A+C) dimension from 74.1" (front axle to BOC dimension)

Notes:

- 1) DEF tank locations are sometimes dependent on sleeper box length, noted in column "capacity/DC, slpr", otherwise DEF tank location is good for 58/72/80" sleepers as shown.
- 2) DEF tanks not available on RH rail with Under Frame exhaust.

Model: 579-118" BBC SBFA and 567-115" BBC SBFA w/o Chassis Fairings
 FAX to BOC= 68.2"

Under Cab Component "A" Dim				DEF Tank Dimension "C"			
Fuel Tank Diameter	Capacity in Gallons	DC and xx" Slpr	Exhaust	LH DEF Tank W/RHUC DPF/SCR			
				"A" LH, RH Rail	Small	Medium	Large
23"	50	DC, 58", 72", 80"		68.7	12.1	20.0	21.9
	60	DC, 58", 72", 80"	W/DSOC	76.8	9.9	17.8	21.7
		DC, 58", 72", 80"	W/O DSOC	74.9	13.8	21.6	25.5
	70	DC, 58", 72", 80"		81.1	13.5	19.4	23.3
		58"		87.3	13.2	19.1	
	80	DC, 72", 80"		87.3	13.2	19.1	23.0
		58"		99.4	12.9		
		72"		99.4	12.9	20.7	
	100	DC, 80"		99.4	12.9	20.7	22.7
		72"		111.7	12.4	20.3	
DC, 80"			111.7	12.4	20.3	22.2	
26"	50	DC, 58", 72", 80"		63.9	16.9	22.8	24.7
	60	DC, 58", 72", 80"		65.7	15.1	21.0	22.9
	70	DC, 58", 72", 80"		70.5	12.3	20.1	24.0
	80	DC, 58", 72", 80"	W/DSOC	76.2	12.5	18.4	22.3
		DC, 58", 72", 80"	W/O DSOC	75.2	13.5	21.3	23.3
	90	DC, 58", 72", 80"		80	12.6	20.5	22.4
	100	58"		84.8	11.7	19.6	
		DC, 72", 80"		84.8	11.7	19.6	21.5
		58"		89.4	13.0	18.9	
	110	DC, 58", 72", 80"		89.4	13.0	18.9	22.8
		58"		94.2	12.2		
	120	DC, 72", 80"		94.2	12.2	20.0	22.0
		58"		101.1	13.1		
	135	72"		101.1	13.1	19.0	
		DC, 80"		101.1	13.1	19.0	22.9
72"			108.1	12.1			
150	DC, 80"		108.1	12.1	19.9	21.9	
Under Cab Boxes				DEF Tank Dimension "C" w/ Under Cab Boxes W/RHUC DPF/SCR			
Box	Engine	Fairings	"A"	RH Small	RH Medium	RH Large	
RHUC DPF/SCR MD MHP	PX-9	NO	70.9	19.7	27.6	31.5	
RHUC DPF/SCR MD HHP	PX-9	NO	73.3	17.3	26.7	27.1	
RHUC DPF/SCR HD Low HP	MX-13, MX-11	NO	70.9	15.8	25.2	27.6	
RHUC DPF/SCR HD AERO W/O BOC EXH		Yes	78.8	11.8	21.2	23.5	
RHUC DPF/SCR HD AERO W/BOC EXH		Yes	78.8	23.6	33.0	33.4	
RH Batt/Tool Box		NO	66.1				
Under Cab Component				LH Small	LH Medium	LH Large	
LH Batt/Tool Box		NO	66.1	16.7	24.1	26.4	
LH UnderCab Fairings To BOC		Yes	A+C				

Open Frame Space = Wheelbase - (A + B + C)

- 1) Find the Under Cab Component "A" applicable to your spec for either RH or LH rail.
- 2) Find the total fuel capacity of the vehicle to determine the DEF tank size used.
- 3) Find the DEF tank dimension "C" dependent on U/C tanks, DPF/SCR position or bat/tool boxes
- 4) Note that the "B" dimension is the rear suspension clearance.
- 5) If you want to find BOC Protrusion Subtract the A (or A+C) dimension from 68.2" (front axle to BOC dimension)

Notes:

- 1) DEF tank locations are sometimes dependent on sleeper box length, noted in column "capacity/DC, slpr", otherwise DEF tank location is good for 58/72/80" sleepers as shown.
- 2) DEF tanks not available on RH rail with Under Frame exhaust.

Model: 567-121" BBC SFFA w/o Chassis Fairings

FAX to BOC=90.1"

Under Cab Component "A" Dim				DEF Tank Dimension "C" w/ Under Cab Fuel Tanks					
Fuel Tank	Capacity	Dual SOC	"A"	DEF Tank Behind UC FT			LH & RH DEF Tank		
				W/RH U/C DPF/SCR.			W/Vertical DPF/SCR		
Diameter	DC and x" Slpr	W/ or W/O	LH, RH Rail	Small	Medium	Large	Small	Medium	Large
23"	50 gal, 44"	W/ or W/O	86.8	13.9	21.8	23.7	15.9	21.8	23.7
	50 gal, DC, 58", 72", 80"	W/ or W/O	86.8	13.9	21.8	23.7	23.8	39.5	43.4
	60 gal	W/ or W/O	88.2						
	70 gal, 44"	W/ or W/O	88.2	16.5	24.3	26.3	14.5	20.4	22.3
	70 gal, DC, 58", 72", 80"	W/ or W/O	88.2	16.5	24.3	26.3	22.4	38.1	42.0
	80 gal, 44"	W/ or W/O	100.8	11.7	19.6	51.1	TBM	TBM	TBM
	80 gal, DC, 58", 72", 80"	W/ or W/O	100.8	11.7	19.6	18.9	TBM	25.5	29.4
	90 gal	W/ or W/O	100.3						
	100 gal, 44"	W/ or W/O	105.1	37.0	42.9	46.8	11.4	56.6	58.6
	100 gal, DC, 58", 72", 80"	W/ or W/O	105.1	11.4	21.2	23.1	17.3	21.2	25.1
	120 gal, 44"	W/ or W/O	117.7	24.4	30.3	34.2	28.3	44.0	46.0
	120 gal, 58"	W/ or W/O	117.7	12.6	44.0	46.0	12.6	20.4	24.3
120 gal, DC, 72", 80"	W/ or W/O	117.7	12.6	18.5	22.4	12.6	20.4	24.3	
26"	50 gal, 44"	W/ or W/O	81.1	13.7	19.6	23.5	13.7	19.6	23.5
	50 gal, DC, 58", 72", 80"	W/ or W/O	81.1	13.7	19.6	23.5	15.7	45.2	49.1
	60 gal, 44"	W/ or W/O	85.9	12.9	22.7	24.6	12.9	22.7	24.6
	60 gal, DC, 58", 72", 80"	W/ or W/O	85.9	12.9	22.7	24.6	24.7	40.4	44.3
	70 gal, 44"	W/ or W/O	85.5	17.2	23.1	25.0	17.2	23.1	25.0
	70 gal, DC, 58", 72", 80"	W/ or W/O	85.5	17.2	23.1	25.0	25.1	40.8	44.7
	80 gal, 44"	W/ or W/O	87.5	11.3	21.1	23.0	15.2	21.1	23.0
	80 gal, DC, 58", 72", 80"	W/ or W/O	87.5	11.3	21.1	23.0	23.1	38.8	42.7
	90 gal, 44"	W/ or W/O	89.6	13.1	19.0	22.9	13.1	19.0	22.9
	90 gal, DC, 58", 72", 80"	W/ or W/O	89.6	13.1	19.0	22.9	21.0	36.7	40.6
	100 gal, 44"	W/ or W/O	91.3	11.4	19.3	21.2	11.4	17.3	21.2
	100 gal, DC, 58", 72", 80"	W/ or W/O	91.3	11.4	19.3	21.2	19.3	35.0	38.9
	110 gal, 44"	W/ or W/O	94.6	12.0	21.9	57.3	12.0	19.9	21.8
	110 gal, DC, 58", 72", 80"	W/ or W/O	94.6	12.0	21.9	21.8	16.0	31.7	35.6
	120 gal, 44"	W/ or W/O	99	13.5	21.4	52.9	13.5	21.4	64.7
	120 gal, DC, 58", 72", 80"	W/ or W/O	99	13.5	21.4	23.3	23.4	27.3	31.2
	135 gal, 44"	W/ or W/O	105.8	12.6	42.2	46.1	12.6	55.9	57.9
	135 gal, 58"	W/ or W/O	105.8	12.6	20.5	57.9	16.6	22.5	24.4
	135 gal, DC, 72", 80"	W/ or W/O	105.8	12.6	20.5	22.4	16.6	22.5	24.4
	150 gal, 44"	W/ or W/O	113.6	28.5	34.4	38.3	32.4	48.1	50.1
150 gal, 58"	W/ or W/O	113.6	12.7	20.6	50.1	14.7	22.6	24.5	
150 gal, DC, 72", 80"	W/ or W/O	113.6	12.7	20.6	22.5	14.7	22.6	24.5	
Under Cab Boxes				DEF Tank Dimension "C" w/ Under Cab Boxes					
Box	Exhaust	Fairing	"A"	LH DEF			RH DEF		
				Small	Medium	Large	Small	Medium	Large
LH UC B/T Box w/ RH UC Exhaust	W/O Dual SOC	No	82.1	20.6	26.5	28.4			
LH UC B/T Box w/ RH UC Exhaust	W/ Dual SOC	No	82.1	20.6	28.5	30.4			
LH UC B/T Box w/ 44"	Vertical DPF/SCR	No	82.1	14.7	22.6	24.5			
LH UC B/T Box w/ DC, 58", 72", 80"	Vertical DPF/SCR	No	82.1	14.7	42.2	56.1			
RH U/C DPF/SCR w/ HD LHP engines	W/ or W/O DSOC	No	90.3						
RH U/C DPF/SCR w/ HD HHP engines	W/ or W/O DSOC	No	90.8				15.8	23.7	29.6

Open Frame Space = Wheelbase - (A + B + C)

- 1) Find the Under Cab Component "A" applicable to your spec for either RH or LH rail.
- 2) Find the total fuel capacity of the vehicle to determine the DEF tank size used.
- 3) Find the DEF tank dimension "C" dependent on U/C tanks, DPF/SCR position or bat/tool boxes
- 4) Note that the "B" dimension is the rear suspension clearance.
- 5) If you want to find BOC Protrusion Subtract the A (or A+C) dimension from 90.1" (front axle to BOC dimension)

Notes:

- 1) DEF tank locations are sometimes dependent on sleeper box length, noted in column "capacity/DC, slpr", otherwise DEF tank location is good for 44/58/72/80" sleepers as shown.
- 2) DEF tanks not available on RH rail with Under Frame exhaust.

Model: 567-115" BBC SFFA w/o Chassis Fairings
 FAX to BOC=86.2"

Under Cab Component "A" Dim				DEF Tank Dimension "C" w/ Under Cab Fuel Tanks						
Fuel Tank	Capacity	Dual SOC	"A"	LH DEF Tank			RH DEF Tank			
				W/RH U/C DPF/SCR			W/VERTICAL EXHAUST			
Diameter	DC and sz" Slpr	W/ or W/O	LH / RH Rail	Small	Medium	Large		Small	Medium	Large
23"	50 gal w/ 44"	W/ or W/O	81.3	17.5	23.3	25.3		TBD	TBD	TBD
	50 gal w/DC, 58", 72", 80"	W/ or W/O	81.3	17.5	23.3	25.3		TBD	TBD	TBD
	60 gal	W/ or W/O	83.7					TBD	TBD	TBD
	70 gal w/44"	W/ or W/O	85	13.8	19.6	21.6		TBD	TBD	TBD
	70 gal w/DC, 58", 72", 80"	W/ or W/O	85	13.8	19.6	21.6		TBD	TBD	TBD
	80 gal, 44"	W/ or W/O	88.5	14.2	22.0	59.5		TBD	TBD	TBD
	80 gal, DC, 58", 72", 80"	W/ or W/O	88.5	14.2	22.0	24.0		TBD	TBD	TBD
	90 gal	W/ or W/O	96.5					TBD	TBD	TBD
	100 gal, 44"	W/ or W/O	100.6	15.9	43.4	47.4		TBD	TBD	TBD
	100 gal, DC, 58", 72", 80"	W/ or W/O	100.6	15.9	21.8	25.7		TBD	TBD	TBD
	120 gal, 44"	W/ or W/O	112.9	25.2	31.1	35.1		TBD	TBD	TBD
	120 gal, 58"	W/ or W/O	112.9	15.4	21.3	46.9		TBD	TBD	TBD
120 gal, DC, 72, 80"	W/ or W/O	112.9	15.4	21.3	25.2		TBD	TBD	TBD	
26"	50 gal w/DC, 44", 58", 72", 80"	W/ or W/O	75.1	13.8	21.7	25.6		TBD	TBD	TBD
	60 gal w/DC, 44", 58", 72", 80"	W/ or W/O	80	14.8	24.6	26.6		TBD	TBD	TBD
	70 gal w/DC, 44", 58", 72", 80"	W/ or W/O	82.5	16.3	20.2	24.1		TBD	TBD	TBD
	80 gal w/DC, 44", 58", 72", 80"	W/ or W/O	83.6	11.2	19.1	23.0		TBD	TBD	TBD
	90 gal w/DC, 44", 58", 72", 80"	W/ or W/O	85.7	13.1	18.9	22.9		TBD	TBD	TBD
	100 gal w/DC, 44", 58", 72", 80"	W/ or W/O	86	14.7	22.6	24.5		TBD	TBD	TBD
	110 gal, 44"	W/ or W/O	90.7	14.0	21.8	57.3		TBD	TBD	TBD
	110 gal, DC, 58, 72, 80"	W/ or W/O	90.7	14.0	21.8	23.8		TBD	TBD	TBD
	120 gal, 44"	W/O DSOC	100.4	10.2	43.6	47.6		TBD	TBD	TBD
	120 gal, DC, 58, 72, 80"	W/O DSOC	100.4	10.2	18.0	20.0		TBD	TBD	TBD
	120 gal, 44"	W/DSOC	100.4	12.2	43.6	47.6		TBD	TBD	TBD
	120 gal, DC, 58", 72", 80"	W/DSOC	100.4	12.2	18.0	22.0		TBD	TBD	TBD
	135 gal, 44"	W/ or W/O	102.3	14.2	41.7	45.7		TBD	TBD	TBD
	135 gal, 58"	W/ or W/O	102.3	14.2	22.0	57.5		TBD	TBD	TBD
	135 gal, DC, 72, 80"	W/ or W/O	102.3	14.2	22.0	24.0		TBD	TBD	TBD
150 gal, 44"	W/ or W/O	109.3	28.8	34.7	38.7		TBD	TBD	TBD	
150 gal, 58"	W/ or W/O	109.3	15.1	22.9	50.5		TBD	TBD	TBD	
150 gal, DC, 72", 80"	W/ or W/O	109.3	15.1	22.9	24.9		TBD	TBD	TBD	
Under Cab Boxes				DEF Tank Dimension "C" w/ Under Cab Boxes						
Box	Exhaust	Fairing	"A"	LH DEF			RH DEF			
				Small	Medium	Large	Small	Medium	Large	
LH U/C B/T Box, DC, 44", 58", 72", 80"	W/O Vertical DPF/SCR	No	76.2	18.6	24.5	28.4				
LH U/C B/T Box, 44"	W/ Vertical DPF/SCR	No	76.2	18.6	24.5	28.4				
LH U/C B/T Box, DC, 58", 72", 80"	W/ Vertical DPF/SCR	No	76.2	TBD	TBD	TBD				
RH U/C with LHP Engines	W/ or W/O	No	86.4				18.3	26.1	30.1	
RH U/C with MHP rated PX-9	W/ or W/O	No	84.9				15.8	23.7	29.6	
RH U/C with HHP rated PX-9	W/ or W/O	No	87.4				15.3	23.1	29.1	

Open Frame Space = Wheelbase - (A + B + C)

- 1) Find the Under Cab Component "A" applicable to your spec for either RH or LH rail.
- 2) Find the total fuel capacity of the vehicle to determine the DEF tank size used.
- 3) Find the DEF tank dimension "C" dependent on U/C tanks, DPF/SCR position or bat/tool boxes
- 4) Note that the "B" dimension is the rear suspension clearance.
- 5) If you want to find BOC Protrusion Subtract the A (or A+C) dimension from 86.2" (front axle to BOC dimension)

Notes:

- 1) DEF tank locations are sometimes dependent on sleeper box length, noted in column "capacity/DC, slpr", otherwise DEF tank location is good for 44/58/72/80" sleepers as shown.
- 2) DEF tanks not available on RH rail with Under Frame exhaust.

Model: 389-131”

FAX to BOC=100.6”

Under Cab Component "A" Dim			DEF Tank Dimension "C" w/UC Fuel Tanks			
			LH DEF, LH Fuel Tank			
Dia.	Capacity / DC, Sleeper	"A"	W/RH U/C DPF/SCR.			
			Small	Medium	Large	
Fuel Tank Under Cab	20"	50	93.5	19.0	24.9	26.9
		50 Dual SOC	93.5	24.9	30.8	34.7
		60	101.6	12.9	20.8	22.7
		60 Dual SOC	101.6	16.8	22.7	26.6
	23"	50	96.8	15.7	21.6	23.6
		50 Dual SOC	96.8	21.6	27.5	31.4
		70	100	12.5	18.4	20.4
		70 Dual SOC	100	18.4	24.3	28.2
		80	103.3	13.2	21.0	23.0
		80 Dual SOC	103.3	15.1	21.0	24.9
		100/44"	109.4	13.0	20.8	54.3
		100/DC,58,72,80	109.4	13.0	20.8	22.8
26"	120/44"	122.7	13.5	37.1	41.0	
	120/DC,58,72,80	122.7	13.5	19.4	21.3	
	50	93.1	19.4	25.3	27.3	
	50 Dual SOC	93.1	25.3	31.2	35.1	
	60	96.5	16.0	21.9	23.9	
	60 Dual SOC	96.5	21.9	27.8	31.7	
	70	96.3	16.2	22.1	24.1	
	70 Dual SOC	96.3	22.1	28.0	31.9	
	80	96.1	16.4	22.3	24.3	
	80 Dual SOC	96.1	22.3	28.2	32.1	
	90	98.9	13.6	19.5	21.5	
	90 Dual SOC	98.9	19.5	25.4	29.3	
100	94.8	17.7	23.6	25.6		
100 Dual SOC	94.8	23.6	29.5	33.4		
110	101.5	13.0	20.9	22.8		
110 Dual SOC	101.5	16.9	22.8	26.7		
120	104.3	12.2	20.0	23.9		
135/44"	111.1	7.3	21.1	52.6		
135/DC,58,72,80	111.1	13.2	21.1	23.0		
150/44"	118.1	14.1	41.7	45.6		
150/58"	118.1	14.1	20.0	57.4		
150/DC,72,80	118.1	14.1	20.0	23.9		
Undercab box		"A"	DEF Tank Dimension "C" Located Rearward of Under Cab Component			
			Small	Medium	Large	
RHUC DPF/SCR MD HHP/MHP	PX-9					
RHUC DPF/SCR HD Low HP	ISX-15-1, MX-13, MX-	97.6	18.9	26.7	30.6	
RHUC DPF/SCR HD High HP	ISX-15-3	97.7	18.8	26.6	30.5	
LH U/C B/T Box		90.1	22.4	28.3	30.3	
LH U/C B/T Box (Dual Exh)		90.1	28.3	34.2	38.1	

Open Frame Space = Wheelbase - (A + B + C)

- 1) Find the Under Cab Component "A" applicable to your spec for either RH or LH rail.
- 2) Find the total fuel capacity of the vehicle to determine the DEF tank size used.
- 3) Find the DEF tank dimension "C" dependent on U/C tanks, DPF/SCR position or bat/tool boxes
- 4) Note that the "B" dimension is the rear suspension clearance.
- 5) If you want to find BOC Protrusion Subtract the A (or A+C) dimension from 100.6” (front axle to BOC dimension)

Notes:

- 1) DEF tank locations are sometimes dependent on sleeper box length, noted in column "capacity/DC, slpr", otherwise DEF tank location is good for 44/58/72/80" sleepers as shown.
- 2) DEF tanks not available on RH rail with Under Frame exhaust.

Model: 389-123"

FAX to BOC=92.8"

Under Cab Component "A" Dim				DEF Tank Dimension "C" w/ Under Cab Fuel Tanks						
Dia.	Capacity DC, Sleeper	"A"	LH DEF, LH Fuel Tank W/RHUC DPF/SCR			LH/RH DEF, UC Fuel Tank W/Vertical DPF/SCR				
			Small	Medium	Large	Small	Sm W/44"	Medium	Med W/44"	
20"	50	91.5	13.2	19.1	21.0	TBM	TBM	40.7	15.1	
	60	95.7	10.93	18.8	20.7	16.8	TBM	36.5	16.8	
23"	50	89	15.7	21.6	23.5	TBM	TBM	43.2	17.6	
	70	92.1	12.6	18.5	22.4	20.4	10.6	40.1	14.5	
	80	95.4	13.2	21.1	23.0	17.1	13.2	36.8	21.1	
	100/44"	101.6	12.9	20.8	54.2		18.8		26.7	
	100/DC, 58,72,80	101.6	12.9	20.8	22.7	24.7		30.6		
	120/44"	114.9	13.4	TBM	40.9		32.1		52.7	
	120/58"	114.9	13.4	19.3	52.7					
26"	120/DC,72,80	114.9	13.4	19.3	23.2	19.3		27.2		
	50	87.2	11.6	19.4	21.4	11.6	TBM	45.0	19.4	
	50 Dual SOC Exh	87.2	17.5	23.4	25.3					
	60	88.6	12.1	22.0	23.9	10.2	TBM	43.6	18.0	
	60 Dual SOC Exh	88.6	16.1	22.0	23.9					
	70	88.4	12.3	22.2	24.1	10.4	TBM	43.8	18.2	
	70 Dual SOC Exh	88.4	16.3	22.2	24.1					
	80	88.3	12.4	22.3	24.2	10.5	TBM	43.9	18.3	
	80 Dual SOC Exh	88.3	16.4	22.3	24.2					
	90	91	13.7	19.6	23.5	21.5	TBM	41.2	17.6	
	100	87	19.6	25.5	29.4	25.5	19.6	45.2	25.5	
	110	93.6	13.0	20.9	22.8	18.9	17.0	38.6	24.8	
	120	96.4	12.2	20.1	24.0	29.9	20.1	35.8	26.0	
	135/44"	103.3	13.2	21.0	52.5		19.1		64.3	
135/58"	103.3	13.2	21.0	23.0						
135/DC,72,80	103.3	13.2	21.0	23.0	23.0		28.9			
150/44"	110.3	14.0	41.6	45.5		18.0		57.3		
150/58"	110.3	14.0	19.9	57.3						
150/DC,72,80	110.3	14.0	19.9	23.8	19.9		27.8			
Undercab box		"A"	DEF Tank Dimension "C" Located Rearward of Under Cab Component			DEF Tank Dimension "C" W/Vertical DPF/SCR				
			Small	Medium	Large	Sm	Sm W/44"	Medium	Med W/44"	
RHUC DPF/SCR MD HHP/MHP		PX-9								
RHUC DPF/SCR Low HP		ISX-15-1, MX-13, MX-11	90.3	16.3	24.2	26.1				
RHUC DPF/SCR High HP		ISX-15-3	92.8	15.8	23.7	26.6				
LH U/C B/T Box			82.3	18.4	24.3	26.3	18.4	18.4	49.9	
LH U/C B/T Box (Dual Exh)			82.3	22.4	28.3	30.2				
LH U/C B/T Box Clear BOC		A+C = 93.3								
RH U/C Batt/Tool Box		82.3				18.4	18.4	49.9	24.3	

Open Frame Space = Wheelbase - (A + B + C)

- 1) Find the Under Cab Component "A" applicable to your spec for either RH or LH rail.
- 2) Find the total fuel capacity of the vehicle to determine the DEF tank size used.
- 3) Find the DEF tank dimension "C" dependent on U/C tanks, DPF/SCR position or bat/tool boxes
- 4) Note that the "B" dimension is the rear suspension clearance.
- 5) If you want to find BOC Protrusion Subtract the A (or A+C) dimension from 92.8" (front axle to BOC dimension)

Notes:

- 1) DEF tank locations are sometimes dependent on sleeper box length, noted in column "capacity/DC, slpr", otherwise DEF tank location is good for 44/58/72/80" sleepers as shown.
- 2) DEF tanks not available on RH rail with Under Frame exhaust.

Model: 367 SBFA”

FAX to BOC=76.8”

Under Cab Component "A" Dim				DEF Tank Dimension "C" w/ Under Cab Fuel Tanks						
Dia.	Capacity DC, Sleeper	"A"	LH DEF, LH Fuel Tank			LH/RH DEF, UC Fuel Tank				
			W/RHUC DPF/SCR			W/Vertical DPF/SCR				
			Small	Medium	Large	Small	Sm W/44"	Medium	Med W/44"	
Fuel Tank Under Cab	20"	50	77.5	13.1	21.0	22.9	TBD	TBD	TBD	TBD
		60	83.7	14.8	22.6	24.6	TBD	TBD	TBD	TBD
	23"	50	73	15.7	21.5	23.5	TBD	TBD	TBD	TBD
		70	85	13.5	21.3	23.3	TBD	TBD	TBD	TBD
		80/44"	89.2	13.2	21.1	50.6		TBD		TBD
		80/DC,58,72,80	89.2	13.2	21.1	32.9	TBD		TBD	
		100/44"	99.4	30.6	36.5	40.4	TBD	TBD		TBD
		100/DC,58,72,80	99.4	12.9	20.7	22.7	TBD		TBD	
		120/44"	111.7	18.3	24.2	28.1		TBD		TBD
		120/58"	111.7	12.4	36.0	39.9				
	26"	120/DC,72,80	111.7	12.4	20.2	22.2	TBD		TBD	
		50	71.2	11.5	19.4	21.3	TBD	TBD	TBD	TBD
		50 Dual SOC Exh	71.2	17.5	23.3	25.3				
		60	72.6	16.1	21.9	23.9	TBD	TBD	TBD	TBD
		70	74.4	14.3	20.1	22.1	TBD	TBD	TBD	TBD
		80	75.2	19.4	21.3	23.3	TBD	TBD	TBD	TBD
		90	80	14.6	22.4	24.4	TBD	TBD	TBD	TBD
		100	84.8	15.7	21.5	25.5	TBD	TBD	TBD	TBD
		110/44"	89.4	15.0	20.9	50.4		TBD		TBD
		110/DC,58,72,80	89.4	15.0	20.9	22.8	TBD		TBD	TBD
		120/44"	94.2	12.2	41.7	45.6		TBD		TBD
		120/58"	94.2	12.2	20.0	57.4				
	120/DC,72,80	94.2	12.2	20.0	23.9	TBD		TBD		
	135/44"	101.1	28.9	34.8	38.7		TBD		TBD	
135/58"	101.1	13.1	46.6	50.5						
135/DC,72,80	101.1	13.1	21.0	22.9	TBD		TBD			
150/44"	108.1	21.9	27.8	31.7		TBD		TBD		
150/58"	108.1	12.0	39.6	43.5						
150/DC,72,80	108.1	12.0	19.9	23.8	TBD		TBD			
Undercab box		"A"	DEF Tank Dimension "C" Located Rearward of Under Cab Component			DEF Tank Dimension "C"				
			Small	Medium	Large	Small	Sm W/44"	Medium	Med W/44"	
RHUC DPF/SCR MD HHP/MHP	PX-9									
RHUC DPF/SCR Low HP	ISX-15-1, MX-13, MX-11	76.3	16.3	24.1	28.1					
RHUC DPF/SCR High HP	ISX-15-3	78.7	17.8	23.7	27.6					
LH U/C B/T Box		69.3	21.3	27.2	31.1	TBD	TBD	TBD	TBD	
LH U/C B/T Box (Clear BOC)		A+C= 77.4								
RH U/C Batt/Tool Box		69.3				TBD	TBD	TBD	TBD	

Open Frame Space = Wheelbase - (A + B + C)

- 1) Find the Under Cab Component "A" applicable to your spec for either RH or LH rail.
- 2) Find the total fuel capacity of the vehicle to determine the DEF tank size used.
- 3) Find the DEF tank dimension "C" dependent on U/C tanks, DPF/SCR position or bat/tool boxes
- 4) Note that the "B" dimension is the rear suspension clearance.
- 5) If you want to find BOC Protrusion Subtract the A (or A+C) dimension from 76.8” (front axle to BOC dimension)

Notes:

- 1) DEF tank locations are sometimes dependent on sleeper box length, noted in column "capacity/DC, slpr", otherwise DEF tank location is good for 44/58/72/80" sleepers as shown.
- 2) DEF tanks not available on RH rail with Under Frame exhaust.

Model: 365 SFFA”

FAX to BOC=86.9”

Under Cab Component "A" Dim				DEF Tank Dimension "C" w/ Under Cab Fuel Tanks							
Dia.	Capacity DC, Sleeper	"A"	LH DEF, LH Fuel Tank W/RHUC DPF/SCR			LH/RH DEF, UC Fuel Tank W/Vertical DPF/SCR					
			Small	Medium	Large	Small	Sm W/44"	Medium	Med W/44"		
20"	50	85.6				TBM	TBM	44.7	TBM		
	60	89.8				17.3	TBM	40.5	20.8		
23"	50	81.7	13.2	21.0	23.0	11.7	TBM	48.6	21.0		
	50 Dual SOC Ext	81.7	32.7	38.6	42.5						
	70	85.2	31.2	37.1	41.0	21.9	12.1	45.1	TBM		
	80	91.4	30.8	38.7	40.6	15.7	11.7	38.8	21.1		
	100/44"	103.5	30.6	60.1	64.0		TBM		68.1		
	100/DC,58,72,80	103.5	30.6	38.4	40.4	17.4		26.7			
	120/44"	115.8	41.9	47.8	51.7		25.7		47.9		
	120/58"	115.8	30.1	59.6	63.5						
120/DC,72,80	115.8	30.1	37.9	39.9	12.9		22.3				
26"	50	79.3	31.2	37.1	41.0	53.4	12.1	51.0	23.4		
	50 Dual SOC Ext	79.3	35.1	41.0	44.9						
	60	80.7	29.7	37.6	39.5	12.6	TBM	49.5	22.0		
	60 Dual SOC Ext	80.7	33.7	39.6	43.5						
	70	82.5	29.9	37.8	39.7	TBM	TBM	47.8	TBM		
	70 Dual SOC Ext	82.5	31.9	37.8	41.7						
	80	82.4	30.1	38.0	39.9	TBM	TBM	47.9	TBM		
	80 Dual SOC Ext	82.4	32.1	38.0	41.9						
	90	85.1	31.3	37.2	41.1	22.0	TBM	45.2	TBM		
	100	88.9	31.4	37.3	41.2	18.2	12.3	41.4	TBM		
	110/44"	93.6	30.6	38.5	73.9		TBM		20.9		
	110/DC,58,72,80	93.6	30.6	38.5	40.4	13.5		36.7			
	120/44"	98.4	29.8	37.6	69.1		12.6		TBM		
	120/DC,58,72,80	98.4	29.8	37.6	39.6	22.5		31.9			
	135/44"	105.2	30.8	58.4	62.3		11.7		58.5		
	135/58"	105.2	30.8	38.7	74.1						
135/DC,72,80	105.2	30.8	44.6	40.6	15.7		25.1				
150/44"	112.2	45.5	51.4	55.3		TBM		51.5			
150/58"	112.2	29.7	39.6	67.1							
150/DC,72,80	112.2	29.7	39.6	41.5	14.6		22.0				
Undercab box		"A"	DEF Tank Dimension "C" Located Rearward of Under Cab Component			DEF Tank Dimension "C" W/Vertical DPF/SCR					
			Small	Medium	Large	Small	Sm W/44"	Medium	Med W/44"		
RHUC DPF/SCR MD MHP	PX-9	86.3	37.9	43.8	47.7						
RHUC DPF/SCR MD HHP	PX-9	88.8	35.4	41.3	45.2						
RHUC DPF/SCR Low HP	ISX-15-1, MX-13	86.3	34.0	41.9	43.8						
RHUC DPF/SCR High HP	ISX-15-3										
LH U/C B/T Box		76.4	36.1	47.9	49.8	19.0	19.0	52.0	26.4		
LH U/C B/T Box (Dual Ext)		76.4	38.1	47.9	49.8						
RH U/C Batt/Tool Box		77.4				17.9	17.9	50.9	25.3		

Open Frame Space = Wheelbase - (A + B + C)

- 1) Find the Under Cab Component "A" applicable to your spec for either RH or LH rail.
- 2) Find the total fuel capacity of the vehicle to determine the DEF tank size used.
- 3) Find the DEF tank dimension "C" dependent on U/C tanks, DPF/SCR position or bat/tool boxes
- 4) Note that the "B" dimension is the rear suspension clearance.
- 5) If you want to find BOC Protrusion Subtract the A (or A+C) dimension from 86.9" (front axle to BOC dimension)

Notes:

- 1) DEF tank locations are sometimes dependent on sleeper box length, noted in column "capacity/DC, slpr", otherwise DEF tank location is good for 44/58/72/80" sleepers as shown.
- 2) DEF tanks not available on RH rail with Under Frame exhaust.

Model: 365 SBFA”

FAX to BOC=68.9”

Under Cab Component "A" Dim			DEF Tank Dimension "C" w/ Under Cab Fuel Tanks							
			LH DEF, LH Fuel Tank			LH/RH DEF, UC Fuel Tank				
Dia.	Capacity DC, Sleeper	"A"	W/RHUC DPF/SCR			W/Vertical DPF/SCR				
			Small	Medium	Large	Small	Sm/44"	Medium	Med/44"	
Fuel Tank Under Cab	20"	50	79.5	13.1	21.0	20.9	22.9	11.1	30.8	19.0
		60/44"	87.6	12.9	40.4	44.3		10.9		16.8
		60/DC,58,72,80	87.6	12.9	20.7	20.7	14.8		22.7	
		70/44"	81.1	15.4	21.3	50.8		15.4		23.3
	23"	70/DC,58,72,80	81.1	15.4	21.3	25.2	21.3		29.2	
		80/44"	87.3	15.1	40.7	44.6		15.1		56.5
		80/58"	87.3	15.1	23.0	56.4				
		80/DC,72,80	87.3	15.1	23.0	24.9	17.1		25.0	
		100/44"	99.4	22.7	28.6	32.5		24.7		44.4
		100/58"	99.4	14.8	40.4	44.3				
		100/DC,72,80	99.4	14.8	22.7	24.6	16.8		24.7	
		120/44"	111.7	14.4	20.3	24.2		24.2		32.1
		120/58"	111.7	22.2	28.1	32.0				
		120/72"	111.7	14.4	43.9	47.8				
		120/DC,80	111.7	14.4	22.2	24.2	16.3		24.2	
		26"	50	63.3	13.5	19.4	25.3	13.5	13.5	47.0
	50 Dual SOC Exh		63.3	25.4	31.3	33.2				
	60		67.7	13.1	22.9	22.9	21.0	13.1	42.6	21.0
	60 Dual SOC Exh		67.7	21.0	26.9	28.8				
	70		70.5	14.2	22.1	24.0	18.2	16.2	39.8	22.1
70 Dual SOC Exh	70.5		18.2	24.1	26.0					
80/44"	75.2		15.4	23.3	56.7		15.4		23.3	
80/DC,58,72,80	75.2		15.4	23.3	25.2	27.2		35.1		
90/44"	80		14.6	22.4	51.9		14.6		22.4	
90/DC,58,72,80	80		14.6	22.4	24.4	22.4		30.3		
100/44"	84.8		15.7	43.2	47.1		15.7		59.0	
100/58"	84.8		15.7	21.6	58.9					
100/DC,72,80	84.8		15.7	21.6	25.5	17.6		25.5		
110/44"	89.4		15.0	38.6	42.5		15.0		54.4	
110/58"	89.4		15.0	22.9	54.3					
110/DC,72,80	89.4		15.0	22.9	24.8	17.0		24.8		
120/44"	94.2	27.9	33.8	37.7		28.9		49.6		
120/58"	94.2	14.1	22.0	49.5						
120/DC,72,80	94.2	14.1	22.0	25.9	18.1		24.0			
135/44"	101.1	19.1	26.9	30.8		22.0		42.7		
135/58"	101.1	15.1	38.7	42.6						
135/72"	101.1	15.1	23.0	58.4						
135/DC,80	101.1	15.1	23.0	24.9	17.1		25.0			
150/44"	108.1	16.0	21.9	25.8		15.0		35.7		
150/58"	108.1	25.8	31.7	35.6						
150/72"	108.1	16.0	21.9	51.4						
150/90"	108.1	16.0	21.9	57.3						
150/DC	108.1	16.0	21.9	25.8	18.0		23.9			
Undercab box	"A"	DEF Tank Dimension "C" Located Rearward of Under Cab Component			DEF Tank Dimension "C"					
		Small	Medium	Large	Small	Sm W/44"	Medium	Med W/44"		
RHUC DPF/SCR MD MHP	PX-9	76.3	20.2	28.1	30.0					
RHUC DPF/SCR MD HHP	PX-9	78.7	17.8	25.7	27.6					
RHUC DPF/SCR Low HP	ISX-15-1, MX-13, MX-11	68.4	24.2	32.1	34.0					
RHUC DPF/SCR High HP	ISX-15-3									
LH U/C B/T Box		68.3	18.4	24.3	26.2	20.4	16.4	40.0	22.3	
LH U/C B/T Box (Dual Exh)		68.3	20.4	26.3	28.2					
RH U/C Batt/Tool Box		68.3				20.4	16.4	40.0	22.3	

Open Frame Space = Wheelbase - (A + B + C)

- 1) Find the Under Cab Component "A" applicable to your spec for either RH or LH rail.
- 2) Find the total fuel capacity of the vehicle to determine the DEF tank size used.
- 3) Find the DEF tank dimension "C" dependent on U/C tanks, DPF/SCR position or bat/tool boxes
- 4) Note that the "B" dimension is the rear suspension clearance.
- 5) If you want to find BOC Protrusion Subtract the A (or A+C) dimension from 68.9" (front axle to BOC dimension)

Notes:

- 1) DEF tank locations are sometimes dependent on sleeper box length, noted in column "capacity/DC, slpr", otherwise DEF tank location is good for 44/58/72/80" sleepers as shown.
- 2) DEF tanks not available on RH rail with Under Frame exhaust.

389 FAMILY 2021 EMISSIONS

MODEL 389-123 EXHAUST SINGLE RH BACK OF CAB DPF/SCR RH UNDER CAB
2021 EMISSIONS

(Reference option code 3365250)

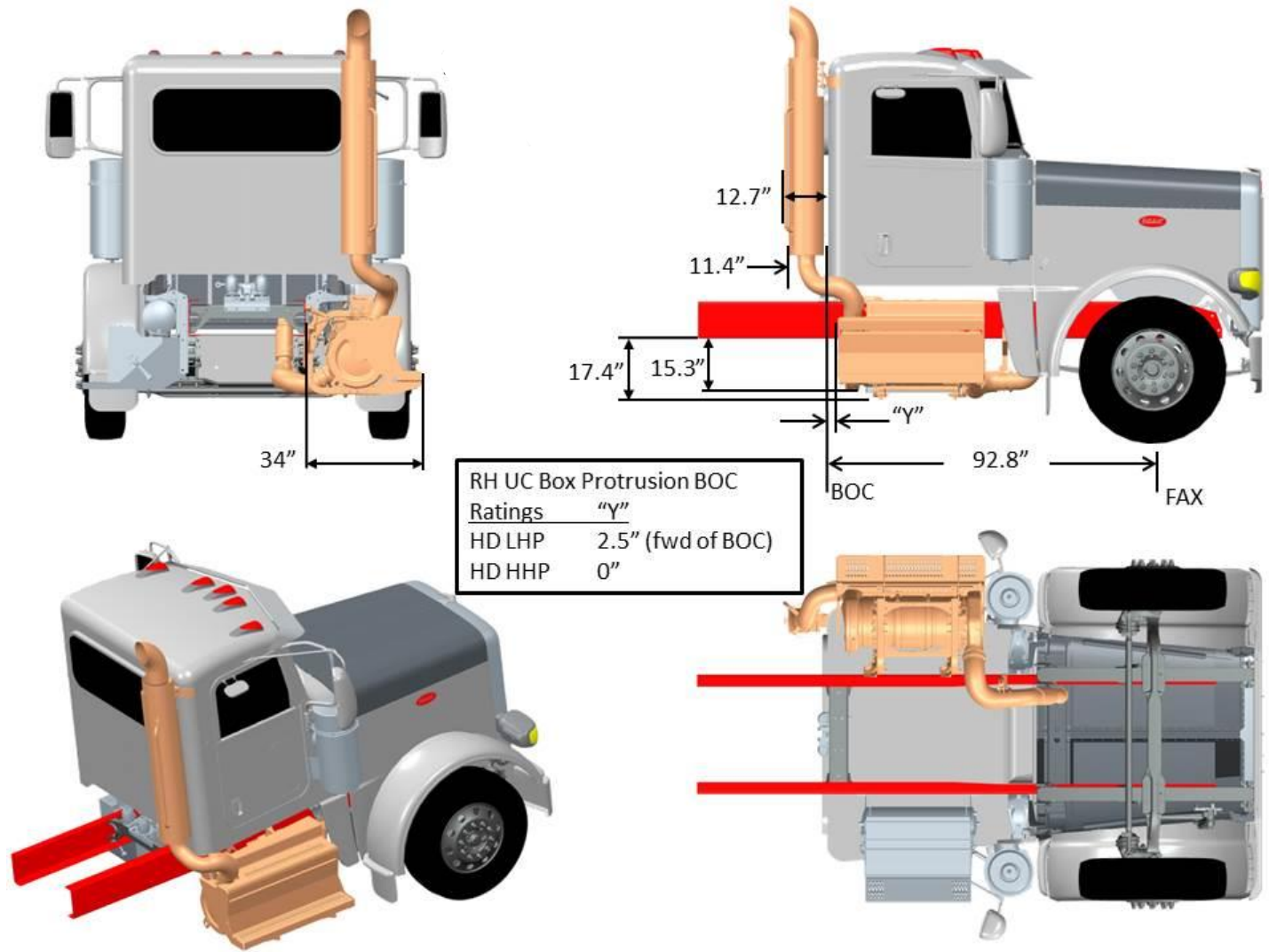


FIGURE 3-57. Exhaust Single RH Back of Cab DPF/SCR RH Under Cab

MODEL 389-123 EXHAUST SINGLE RH SIDE OF CAB DPF/SCR RH UNDER CAB
 2021 EMISSIONS
 (Reference option code 3365270)

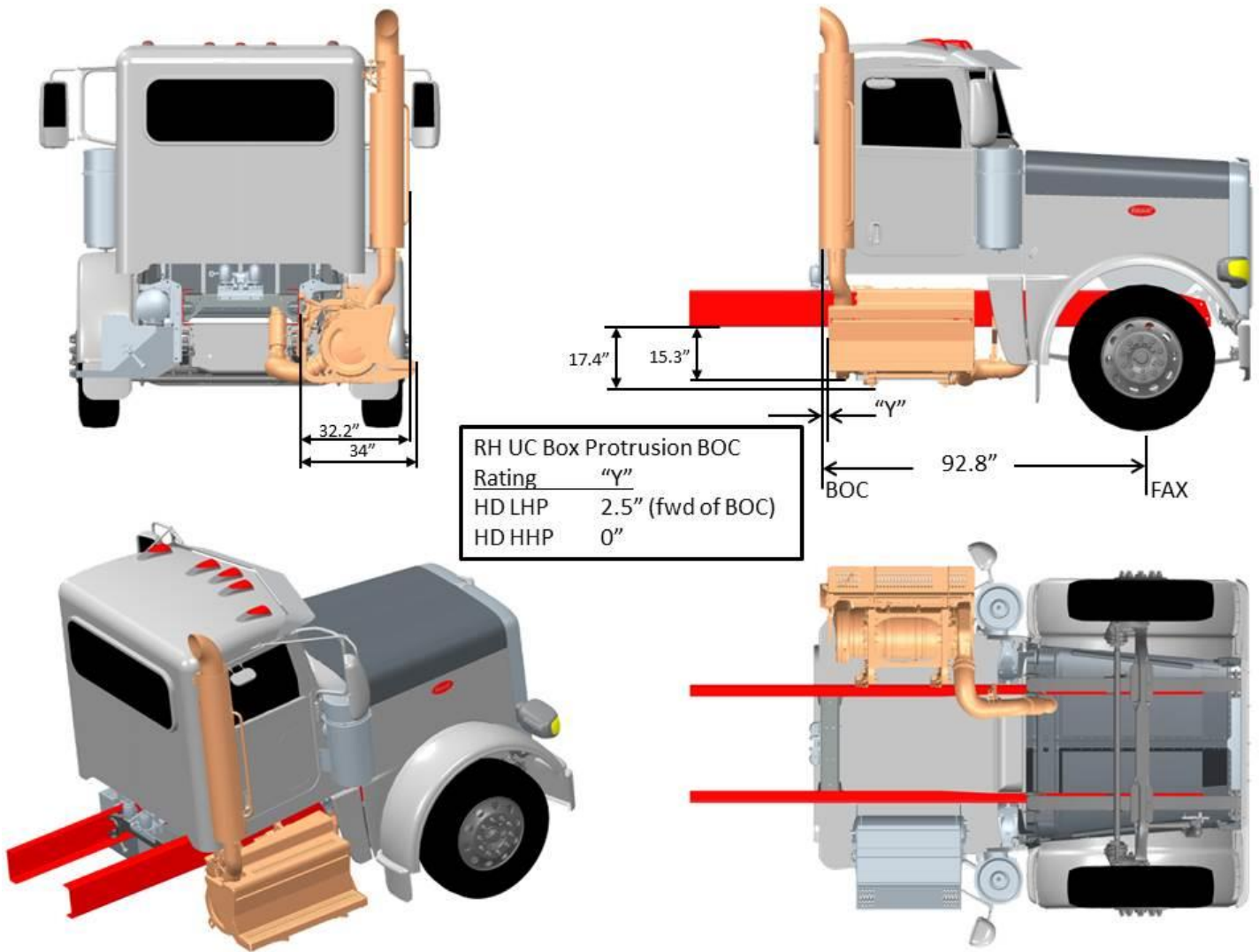


FIGURE 3-58. Exhaust Single RH Side of Cab DPF/SCR RH Under Cab

MODEL 389-123 EXHAUST SINGLE RH HORIZONTAL DPF/SCR RH UNDER CAB
 2021 EMISSIONS
 (Reference option code 3365280)

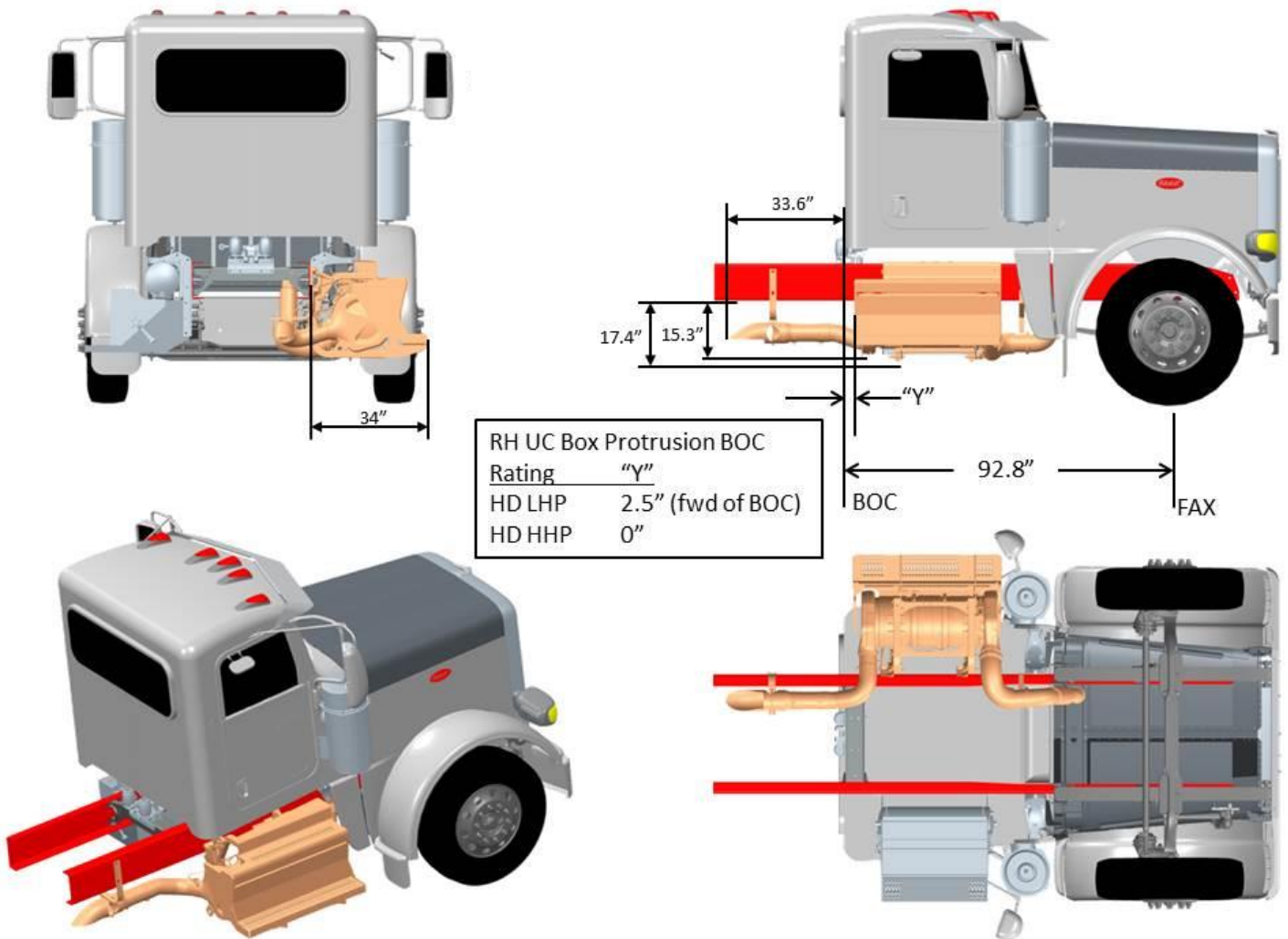


FIGURE 3-59. Exhaust Single RH Horizontal DPF/SCR RH Under Cab

MODEL 389-123 EXHAUST SINGLE RH HORIZONTAL DPF/SCR RH UNDER FRAME
 2021 EMISSIONS
 (Reference option code 3365290)

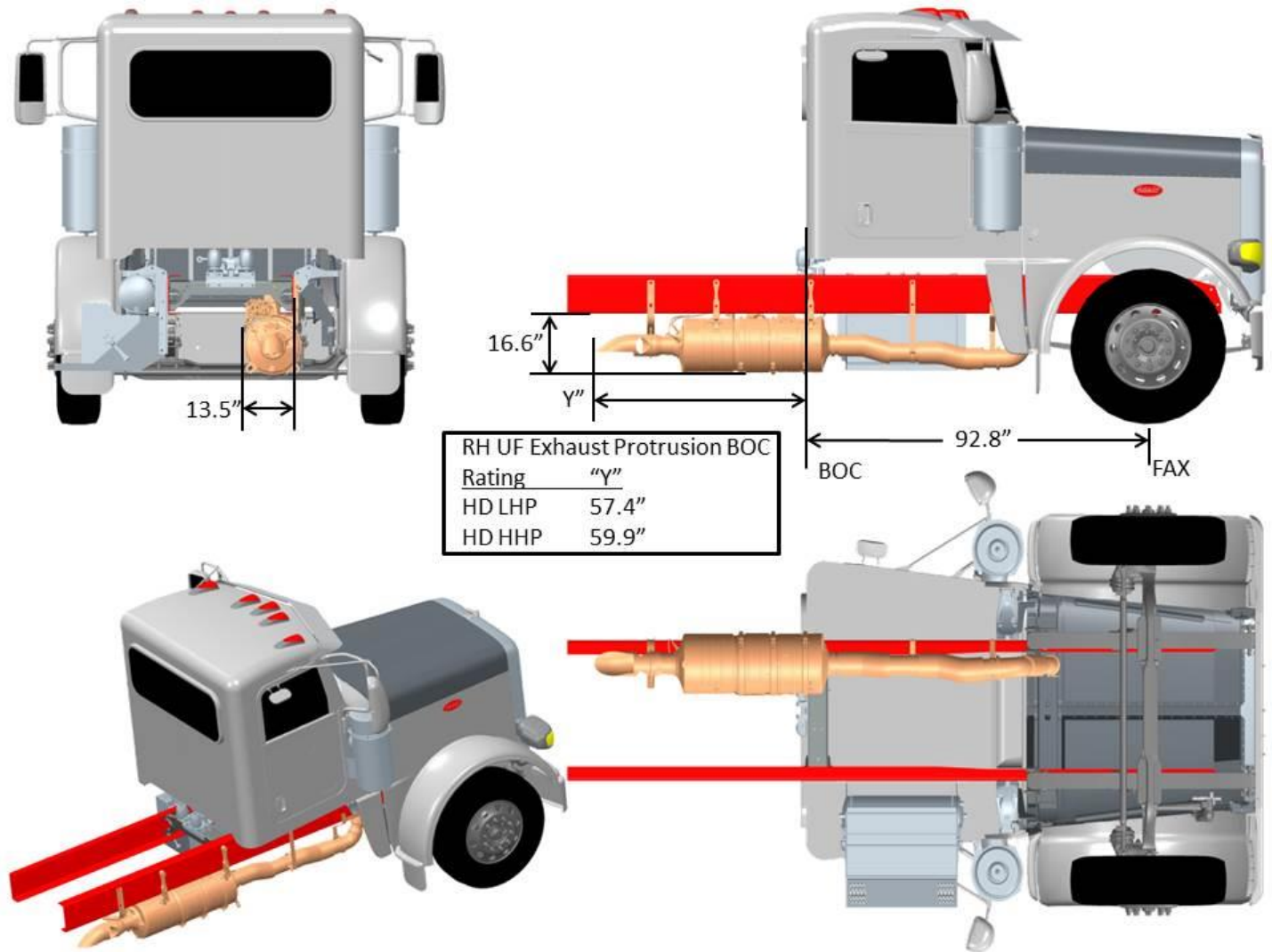


FIGURE 3-60. Exhaust Single RH Horizontal DPF/SCR RH Under Frame

MODEL 389-123 EXHAUST SINGLE RH BOC VERTICAL DPF/SCR
 2021 EMISSIONS
 (Reference option code 3365290)

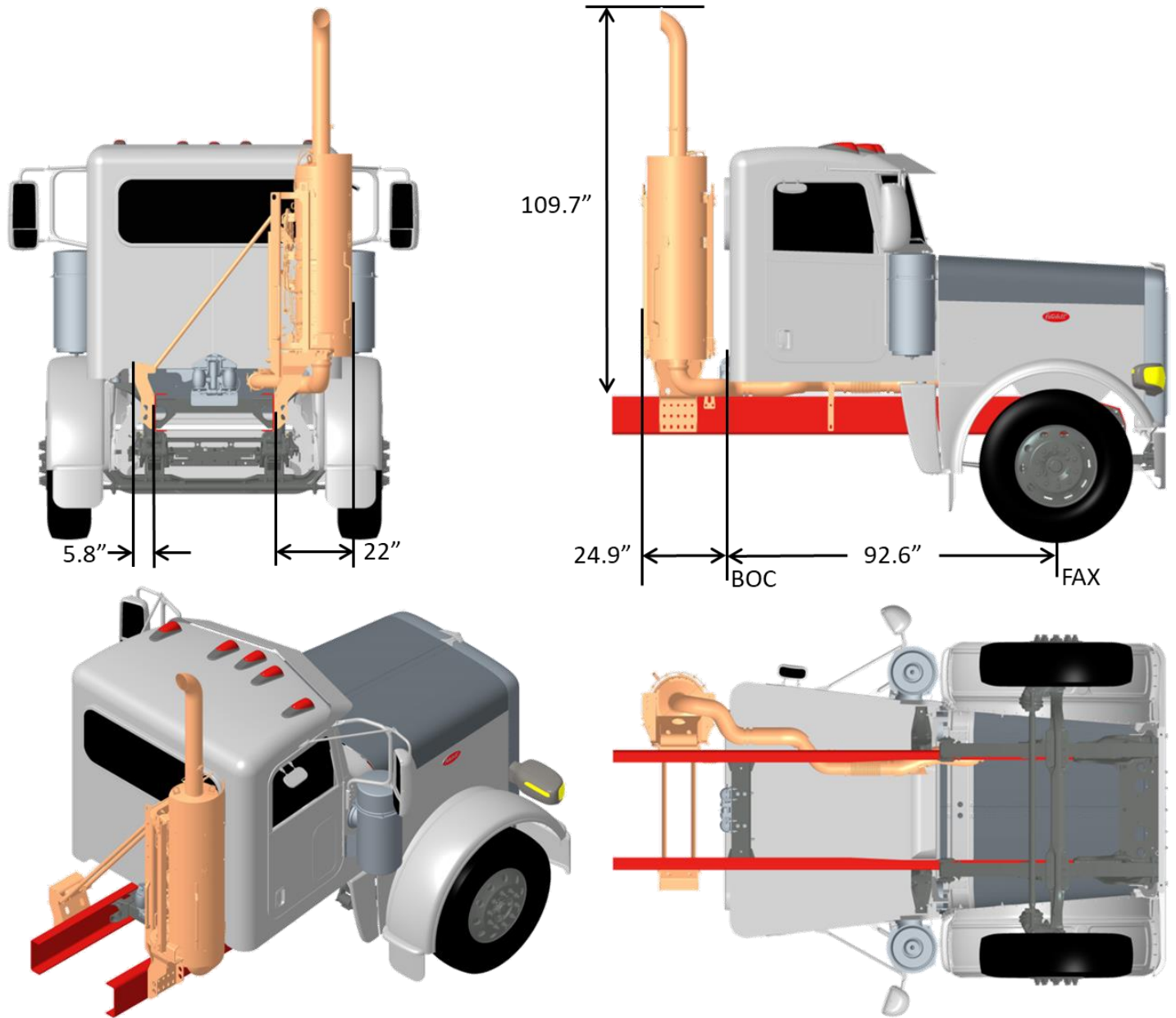


FIGURE 3-61. Exhaust Single RH BOC Vertical DPF/SCR

MODEL 389-131 EXHAUST SINGLE RH BACK OF CAB DPF/SCR RH UNDER CAB
 2021 EMISSIONS
 (Reference option code 3365250)

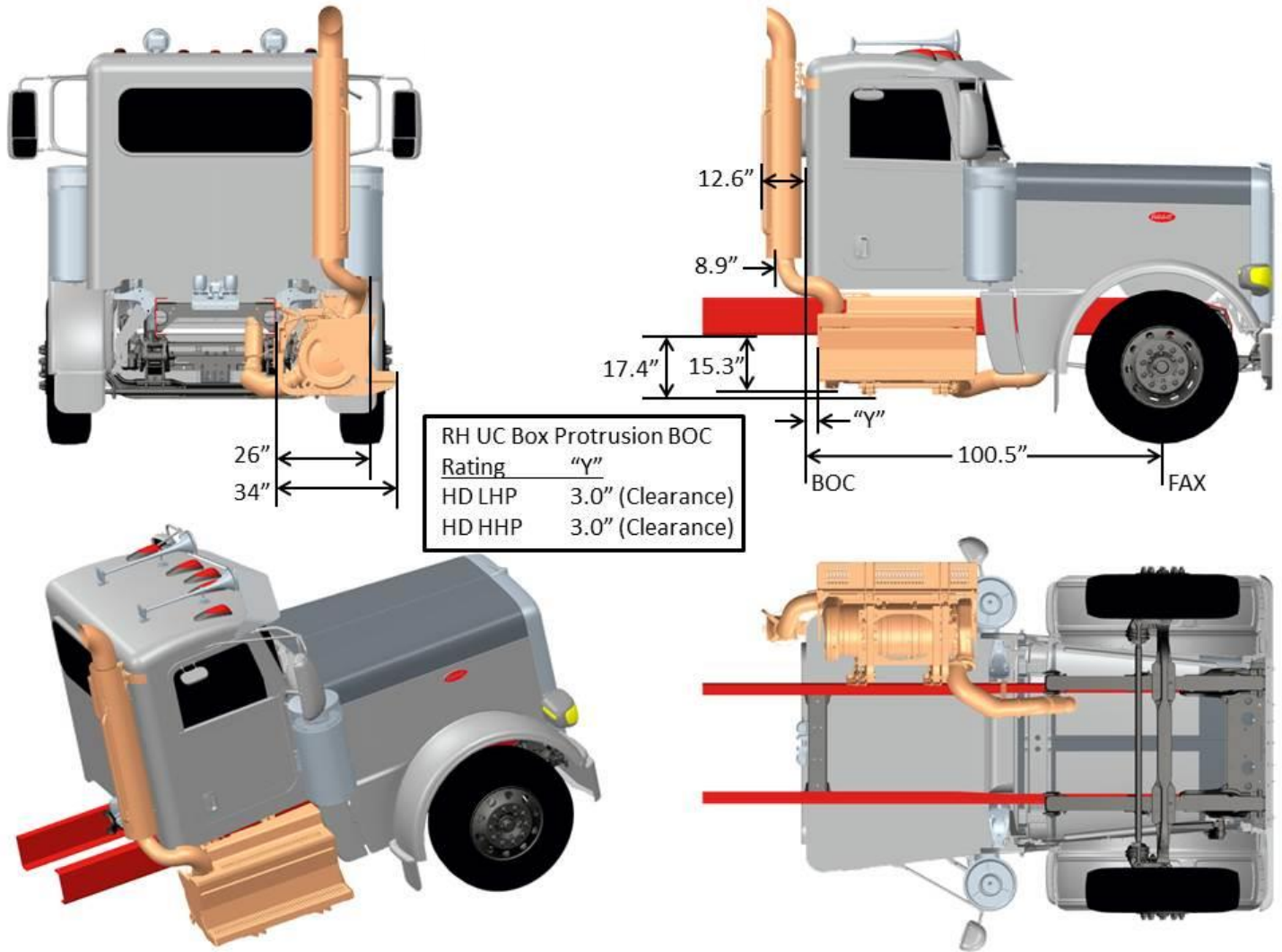


FIGURE 3-61. Exhaust Single RH Back of Cab DPF/SCR RH Under Cab

MODEL 389-131 EXHAUST SINGLE RH SIDE OF CAB DPF/SCR RH UNDER CAB
 2021 EMISSIONS
 (Reference option code 3365270)

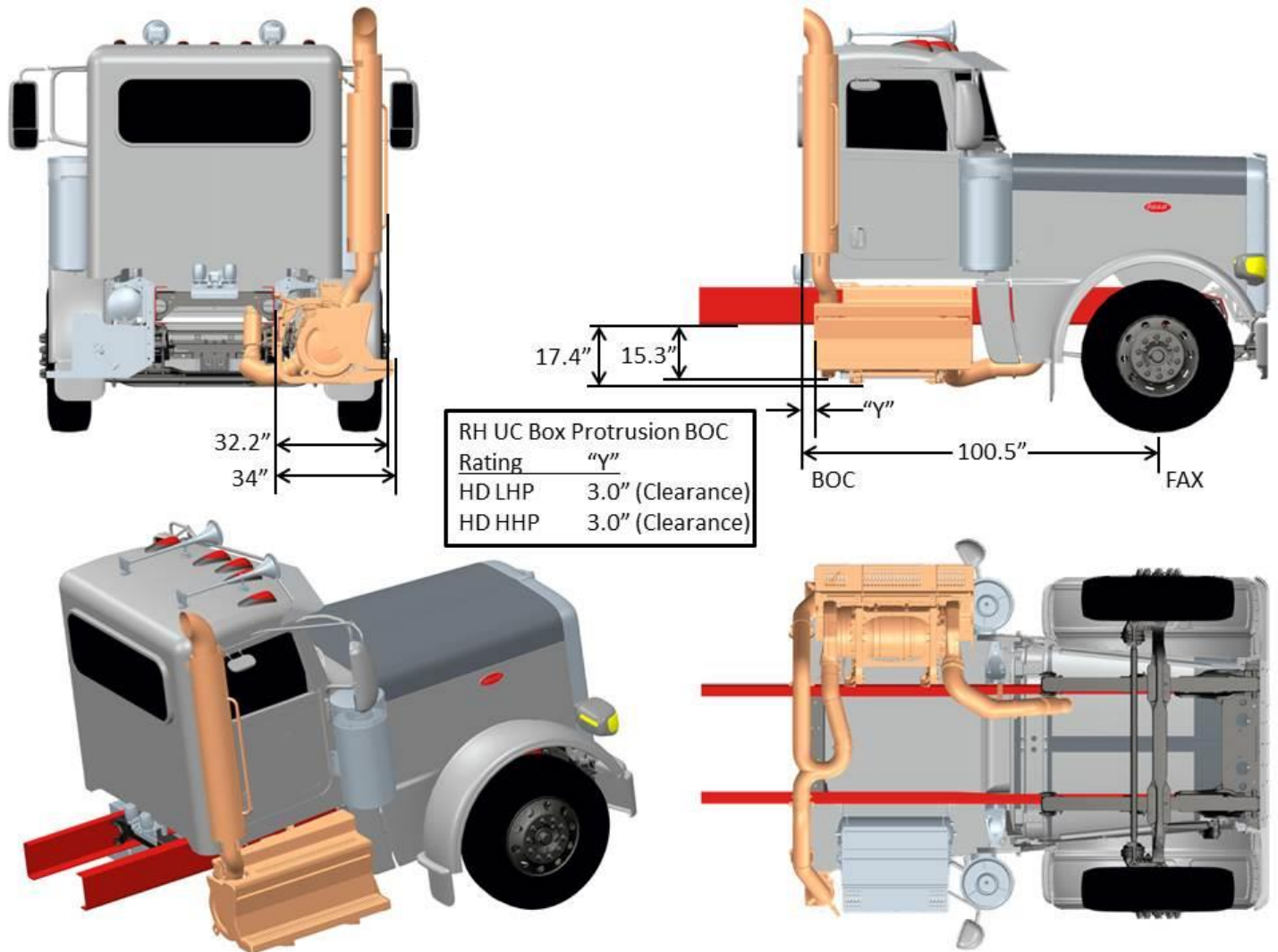


FIGURE 3-62. Exhaust Single RH Side of Cab DPF/SCR RH Under Cab

MODEL 389-131 EXHAUST SINGLE RH HORIZONTAL DPF/SCR RH UNDER CAB
 2021 EMISSIONS
 (Reference option code 3365280)

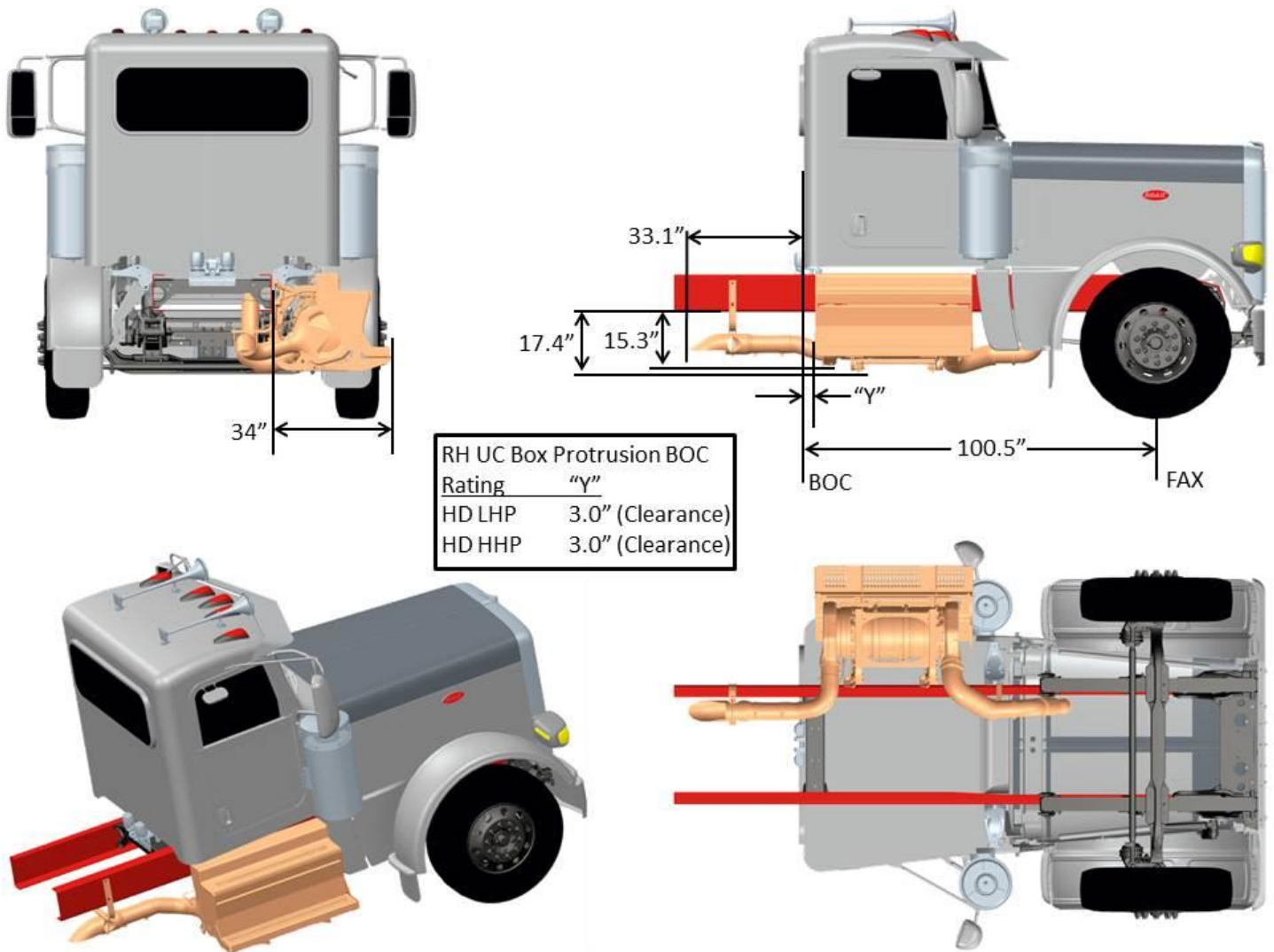


FIGURE 3-63. Exhaust Single RH Horizontal DPF/SCR RH Under Cab

MODEL 389-131 EXHAUST SINGLE RH HORIZONTAL DPF/SCR RH UNDER FRAME
 2021 EMISSIONS
 (Reference option code 3365290)

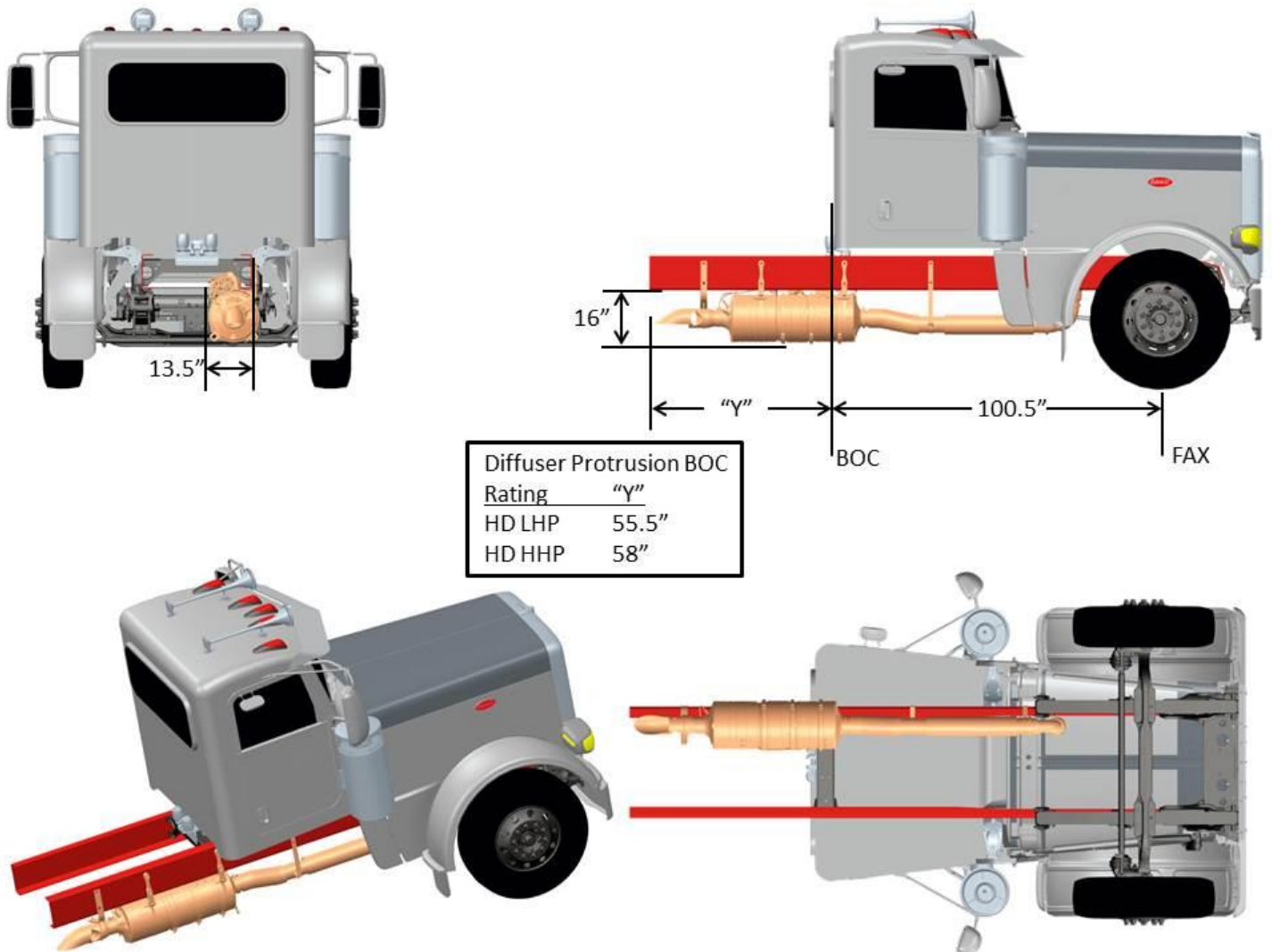


FIGURE 3-64. Exhaust Single RH Horizontal DPF/SCR RH Under Frame

MODEL 389-131 EXHAUST DUAL SOC DPF/SCR RH UNDER CAB
2021 EMISSIONS
 (Reference option code **3365320**)

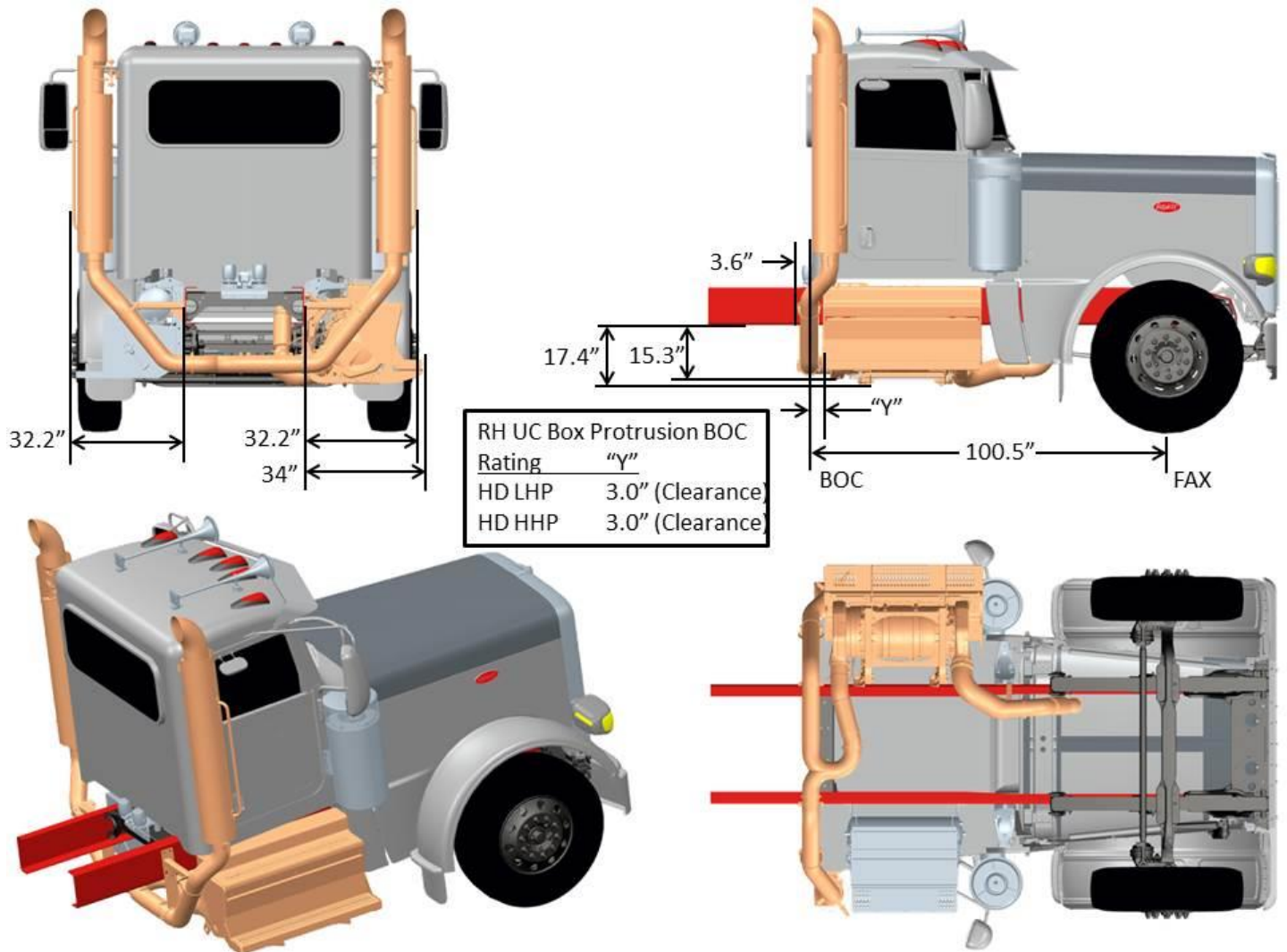


FIGURE 3-65. Exhaust Dual SOC DPF/SCR RH CAB

MODEL 365-115 SFFA EXHAUST SINGLE RH BACK OF CAB DPF/SCR RH UNDER CAB
 2021 EMISSIONS
 (Reference option code 3365250)

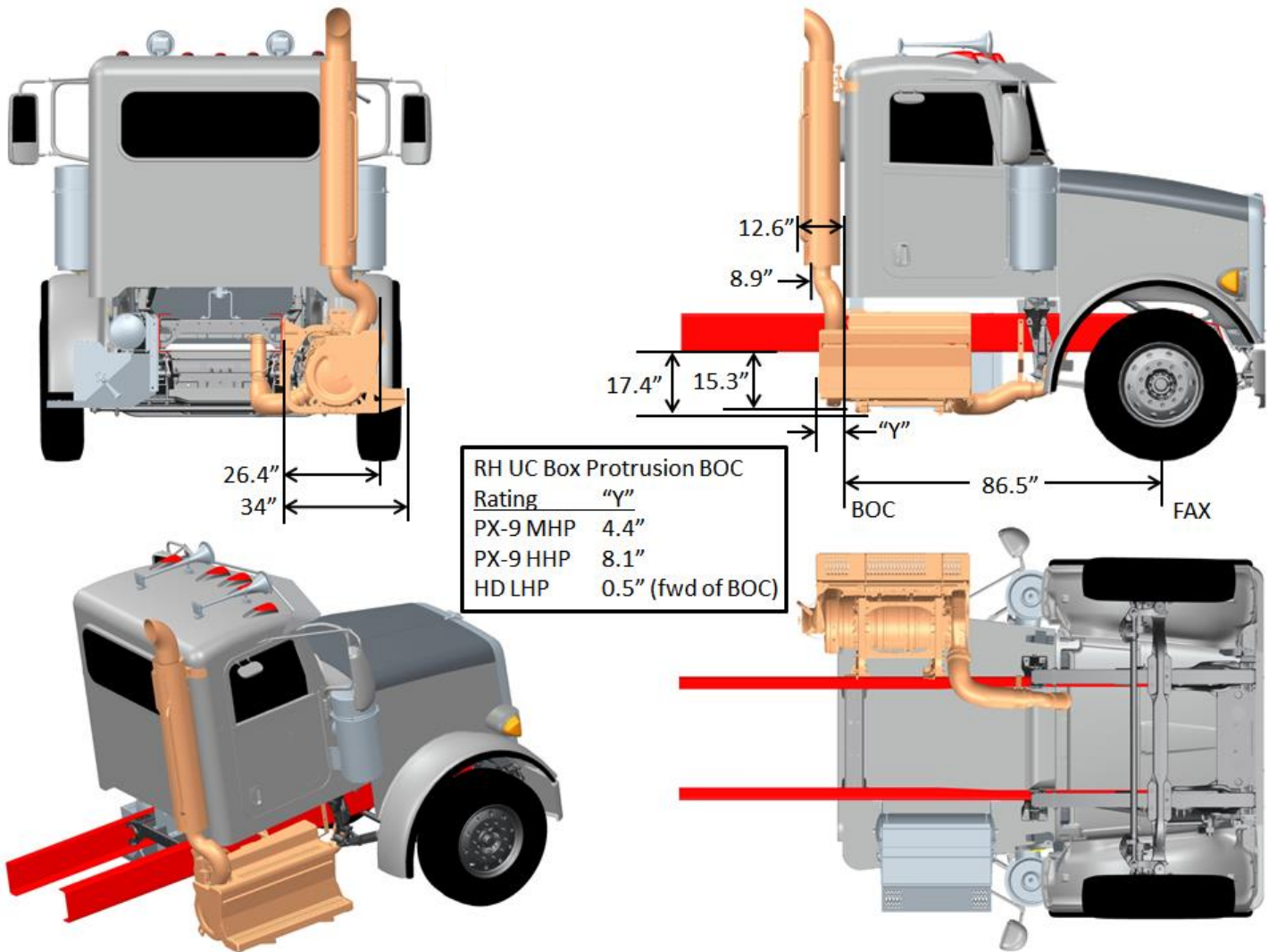


FIGURE 3-66. Exhaust Single RH Back of Cab DPF/SCR RH Under Cab

MODEL 365-115 SFFA EXHAUST SINGLE RH SIDE OF CAB DPF/SCR RH UNDER CAB
 2021 EMISSIONS
 (Reference option code 3365270)

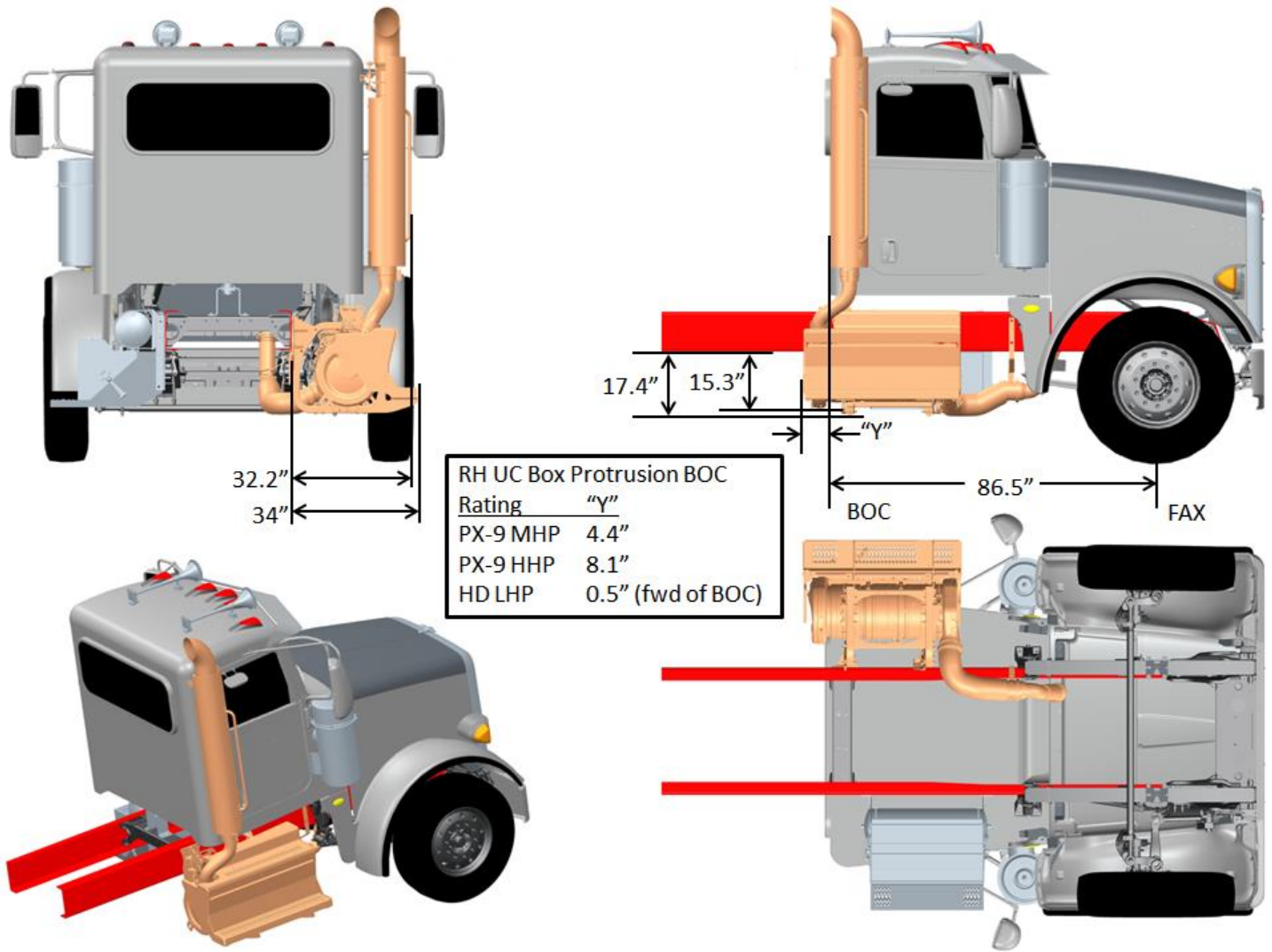


FIGURE 3-67. Exhaust Single RH Side of Cab DPF/SCR RH Under Cab

MODEL 367-123 SBFA EXHAUST SINGLE RH SIDE OF CAB DPF/SCR RH UNDER CAB
 2021 EMISSIONS
 (Reference option code 3365270)

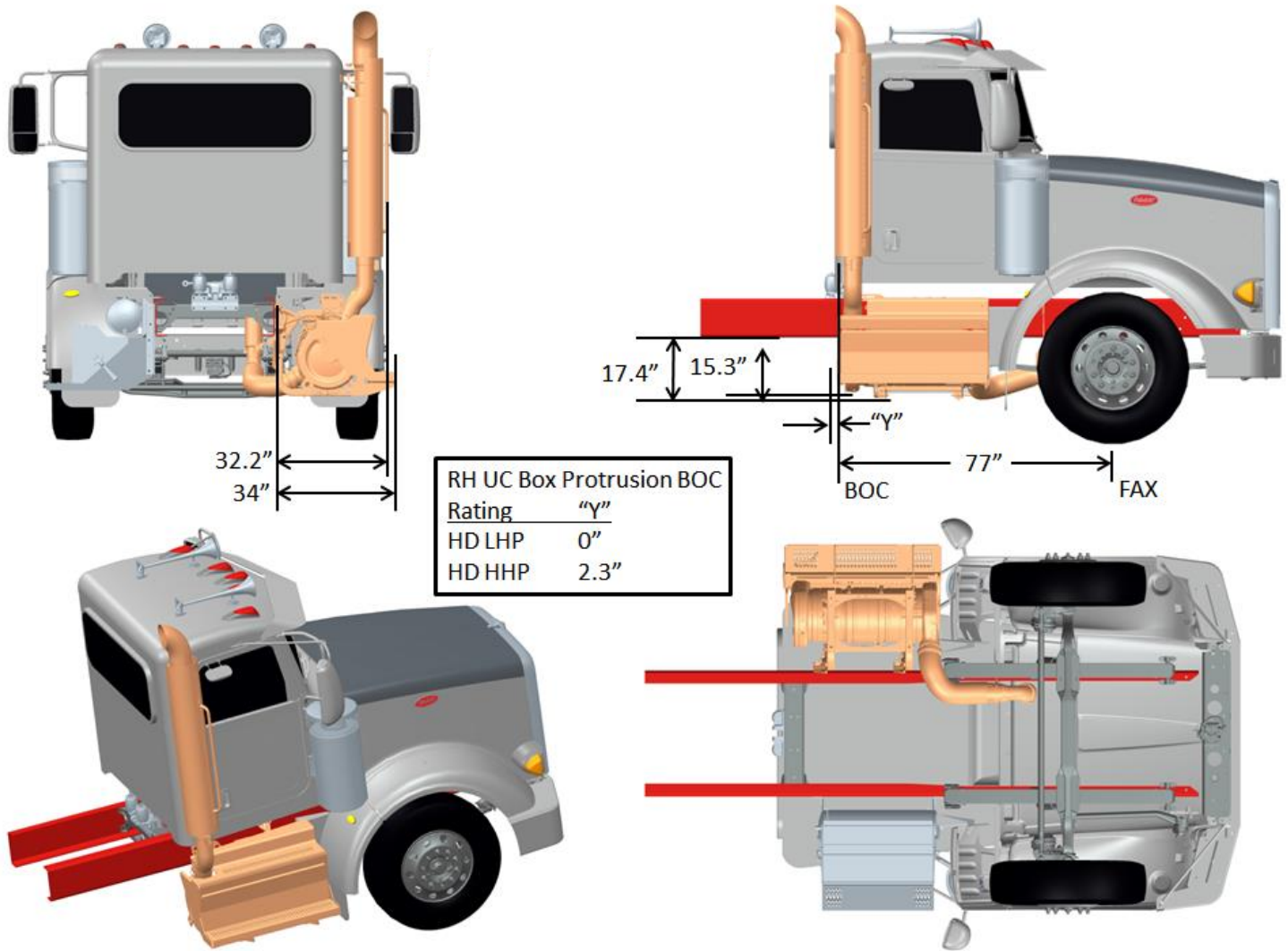


FIGURE 3-68. Exhaust Single RH Side of Cab DPF/SCR RH Under Cab

MODEL 365-115 SBFA FEPTO EXHAUST SINGLE RH BACK OF CAB DPF/SCR RH UNDER CAB
 2021 EMISSIONS
 (Reference option code 3365250)

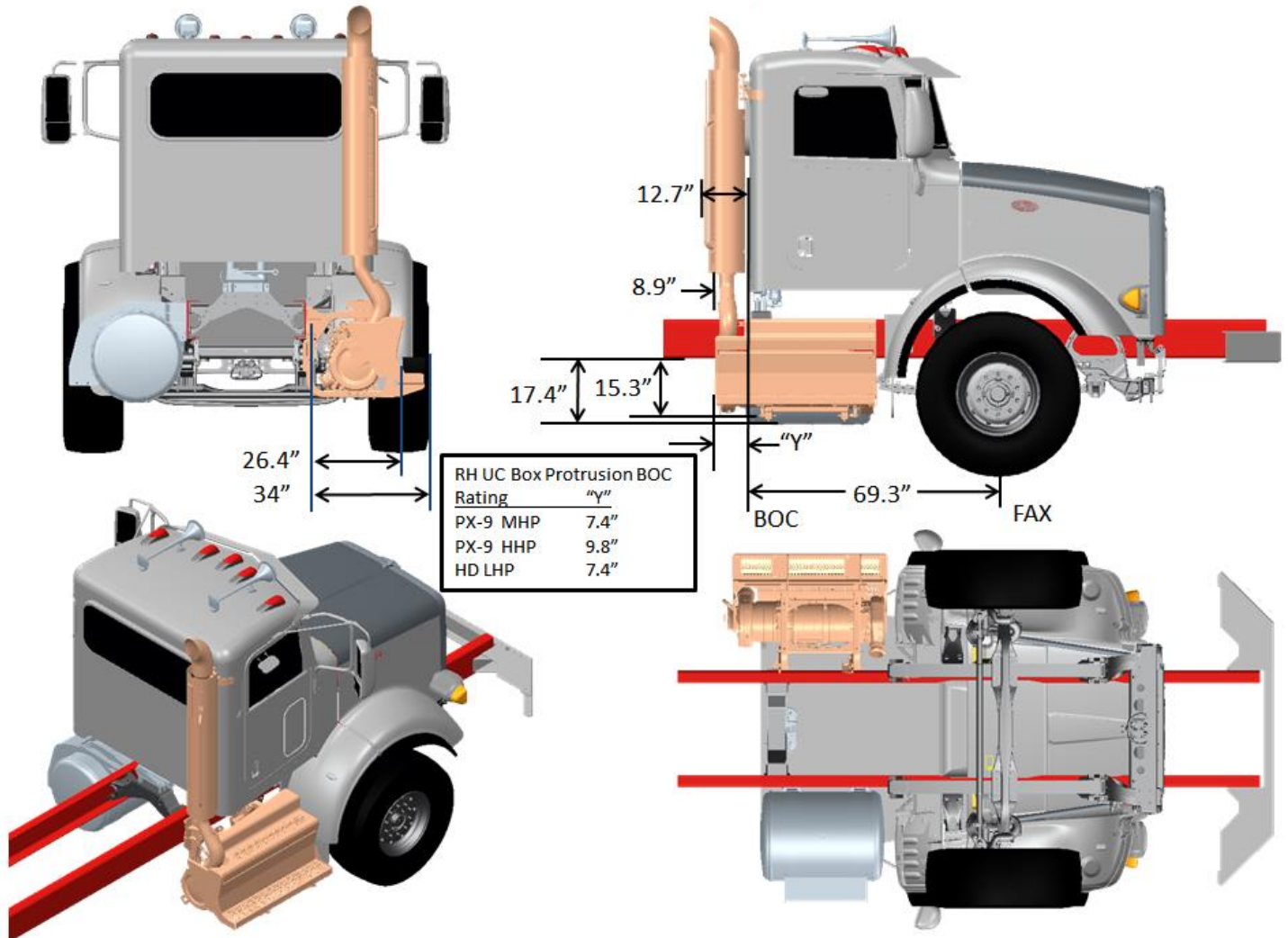


FIGURE 3-69. Exhaust Single RH Back of Cab DPF/SCR RH Under Cab

MODEL 365-115 SBFA FEPTO EXHAUST SINGLE RH SIDE OF CAB DPF/SCR RH UNDER CAB
 2021 EMISSIONS
 (Reference option code 3365270)

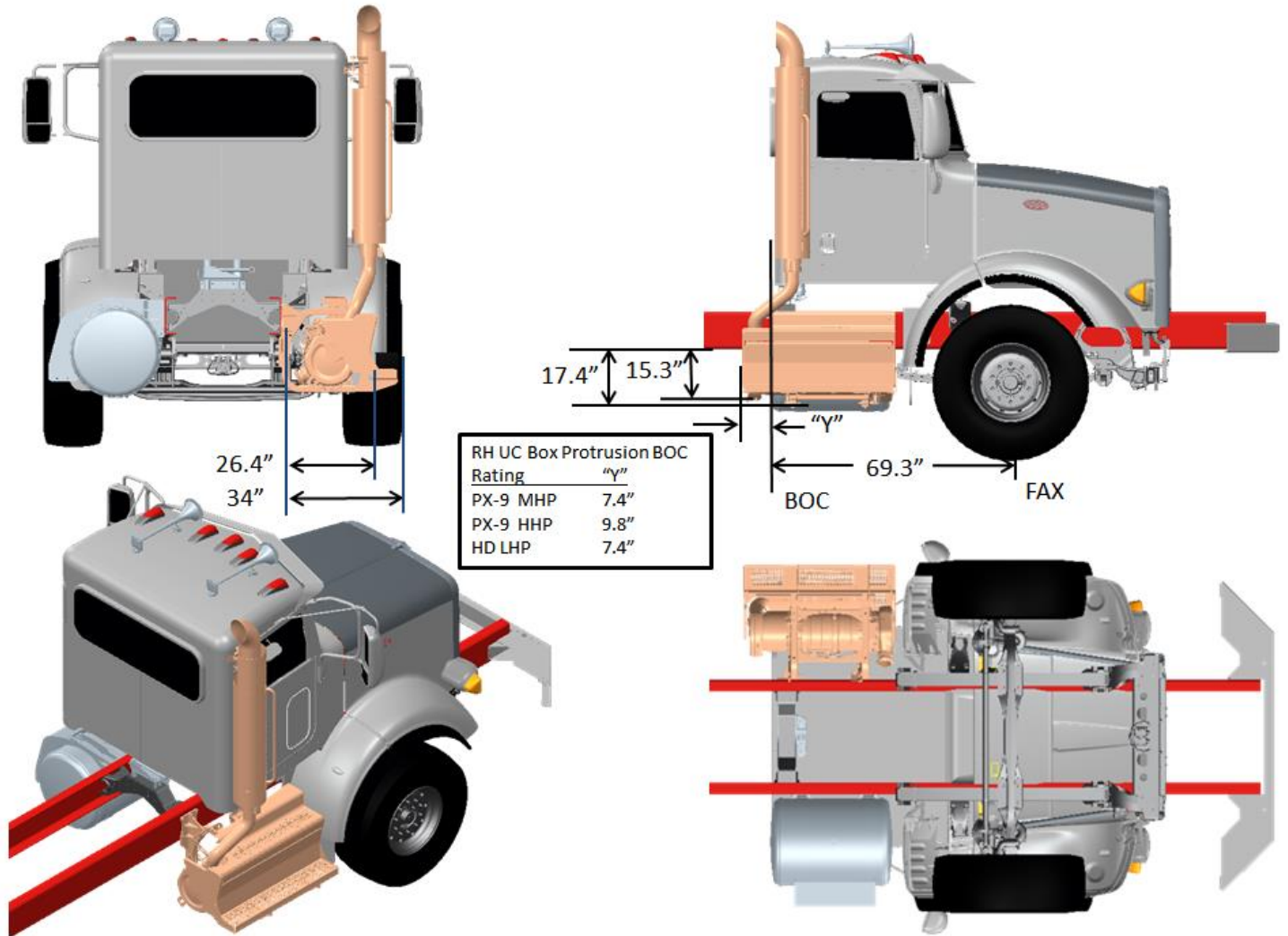


FIGURE 3-70. Exhaust Single RH Side of Cab DPF/SCR RH Under Cab

MODEL 365-115 SBFA FEPTO EXHAUST SINGLE RH HORIZONTAL DPF/SCR RH UNDER CAB
2021 EMISSIONS

(Reference option code 3365280)

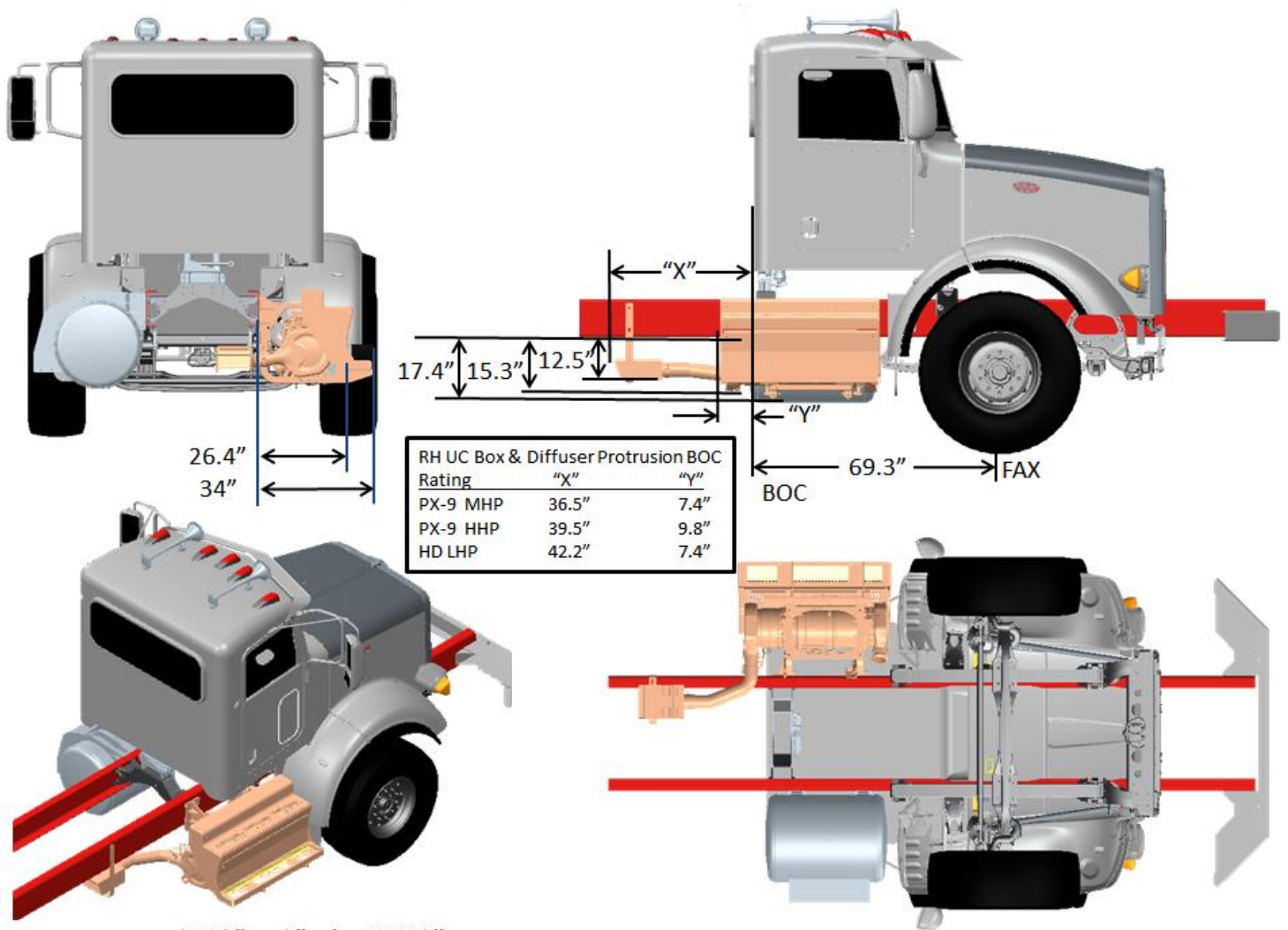


FIGURE 3-71. Exhaust Single RH Horizontal DPF/SCR RH Under Cab

MODEL 365-115 SBFA FEPTO EXHAUST SINGLE RH BOC VERTICAL DPF/SCR
 2021 EMISSIONS
 (Reference option code 3365280)

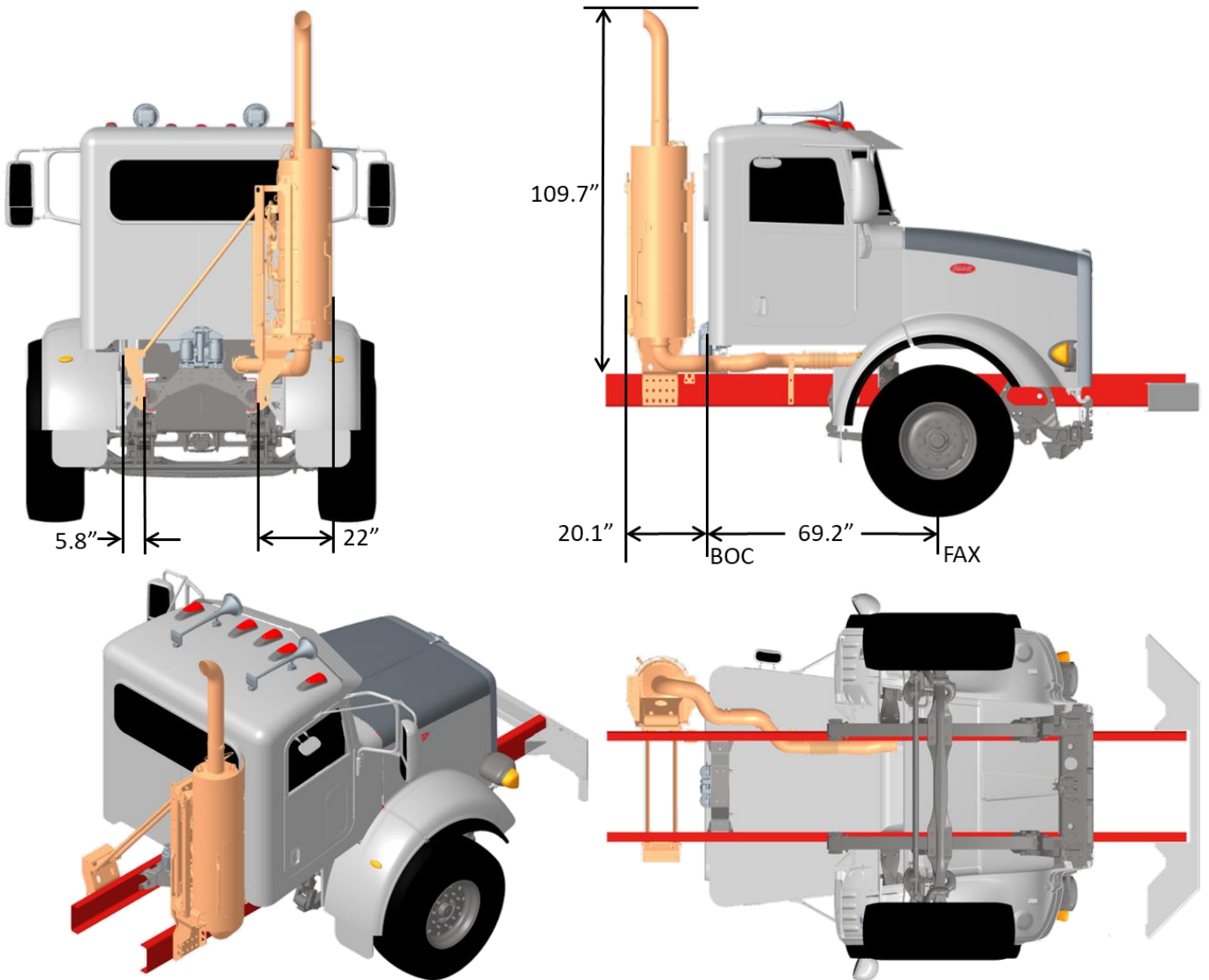


FIGURE 3-71. Exhaust Single RH BOC Vertical DPF/SCR

MODEL 367-123 SBFA HH EXHAUST SINGLE RH BACK OF CAB DPF/SCR RH UNDER CAB
 2021 EMISSIONS

(Reference option code 3365250)

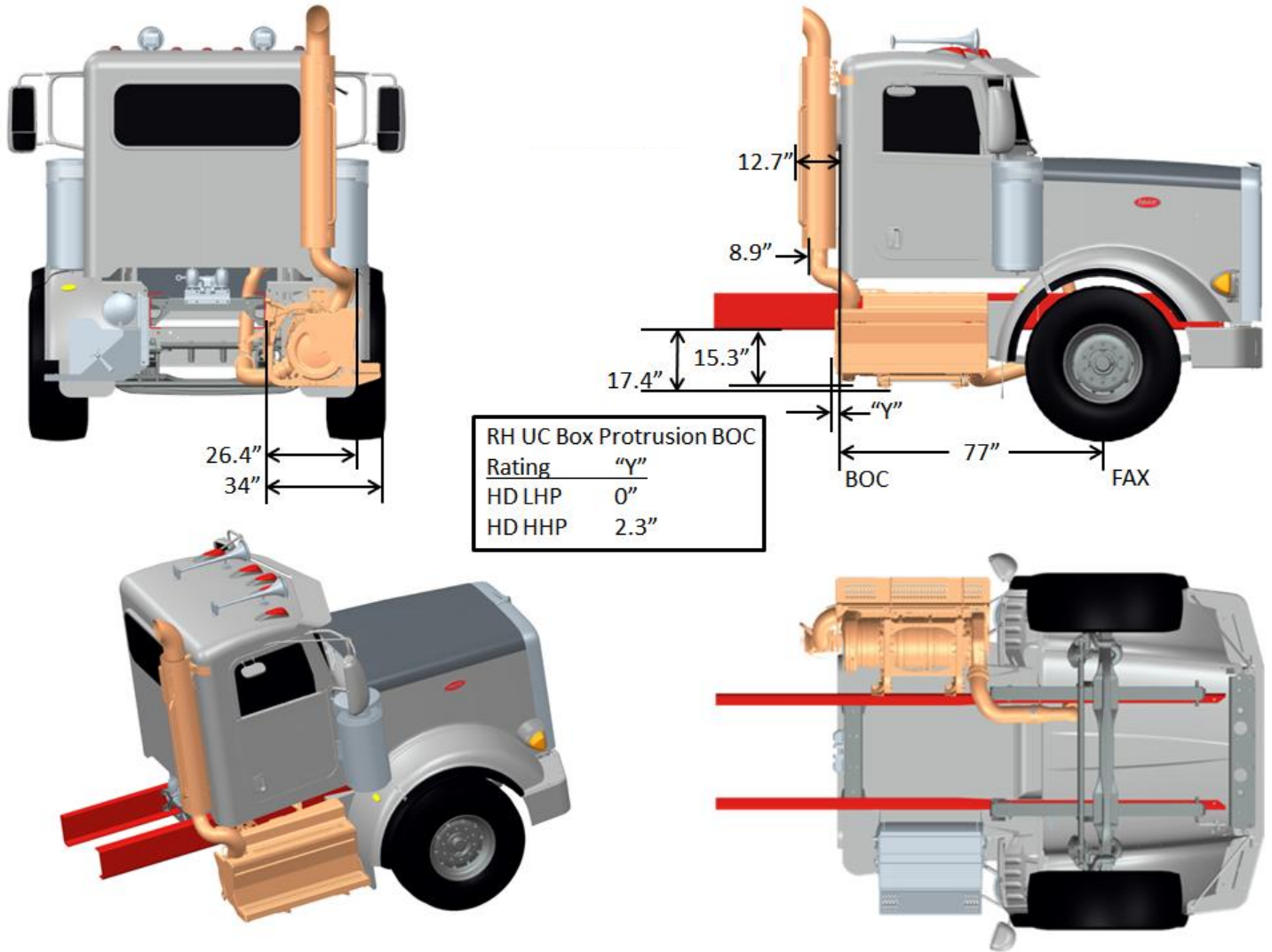


FIGURE 3-72. Exhaust Single RH Back of Cab DPF/SCR RH Under Cab

MODEL 367-123 SBFA HH EXHAUST SINGLE RH SIDE OF CAB DPF/SCR RH UNDER CAB
 2021 EMISSIONS
 (Reference option code 3365270)

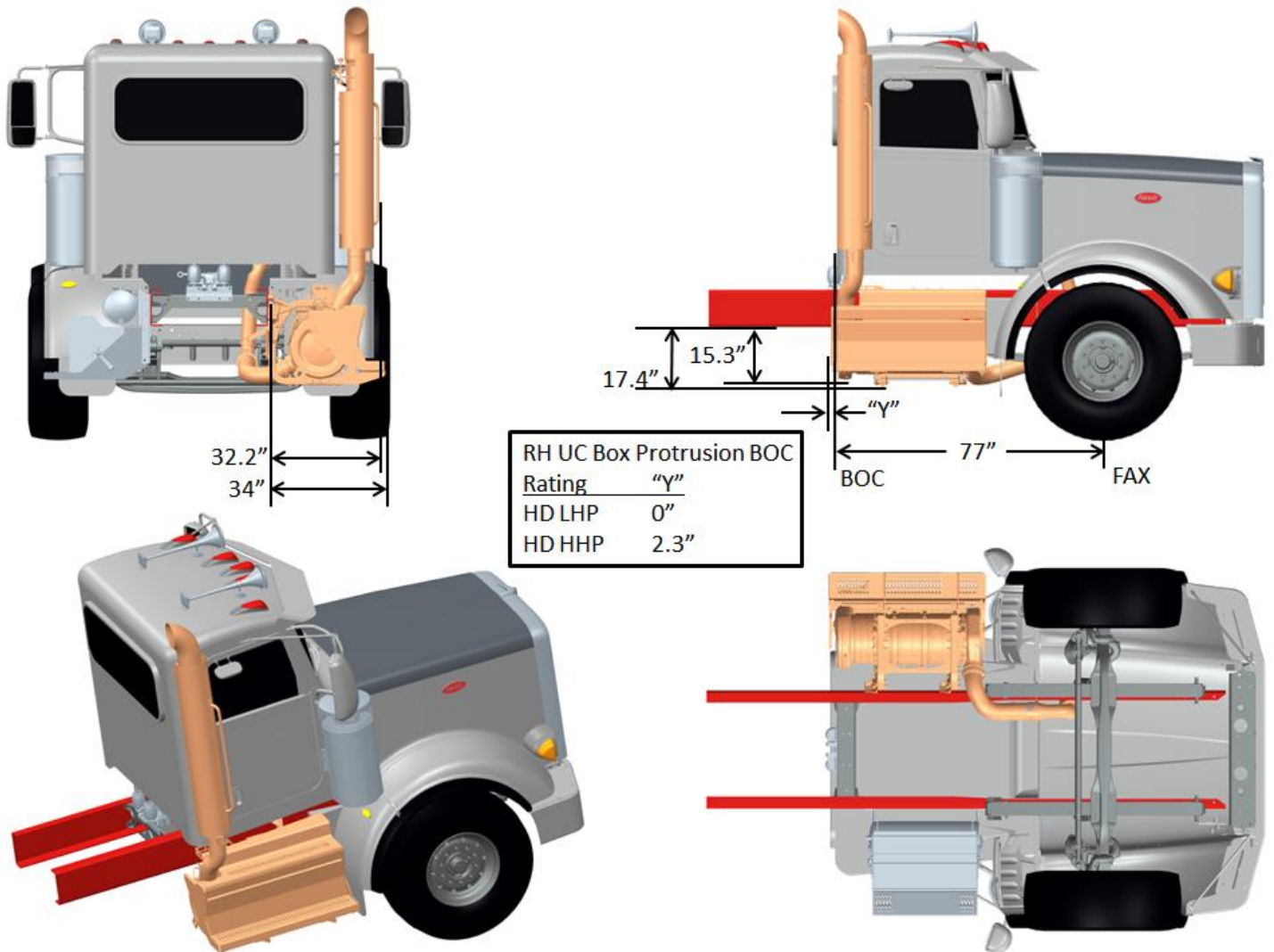


FIGURE 3-73. Exhaust Single RH Side of Cab DPF/SCR RH Under Cab

MODEL 367-123 SBFA HH EXHAUST SINGLE RH HORIZONTAL DPF/SCR RH UNDER CAB
 2021 EMISSIONS
 (Reference option code 3365280)

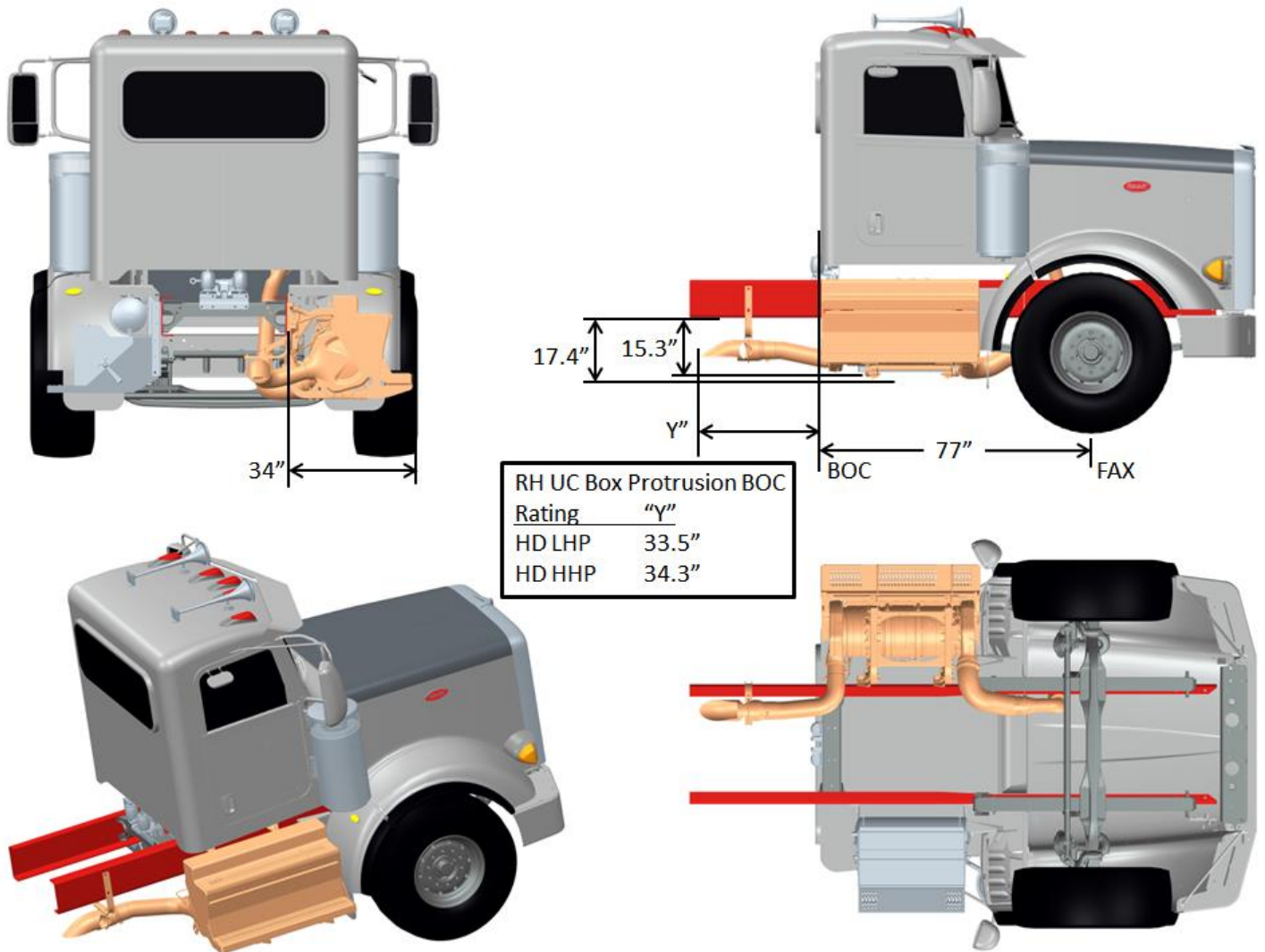


FIGURE 3-74. Exhaust Single RH Horizontal DPF/SCR RH Under Cab

MODEL 367-123 SBFA HH FEPTO EXHAUST SINGLE RH BOC VERTICAL DPF/SCR
 2021 EMISSIONS
 (Reference option code 3365280)

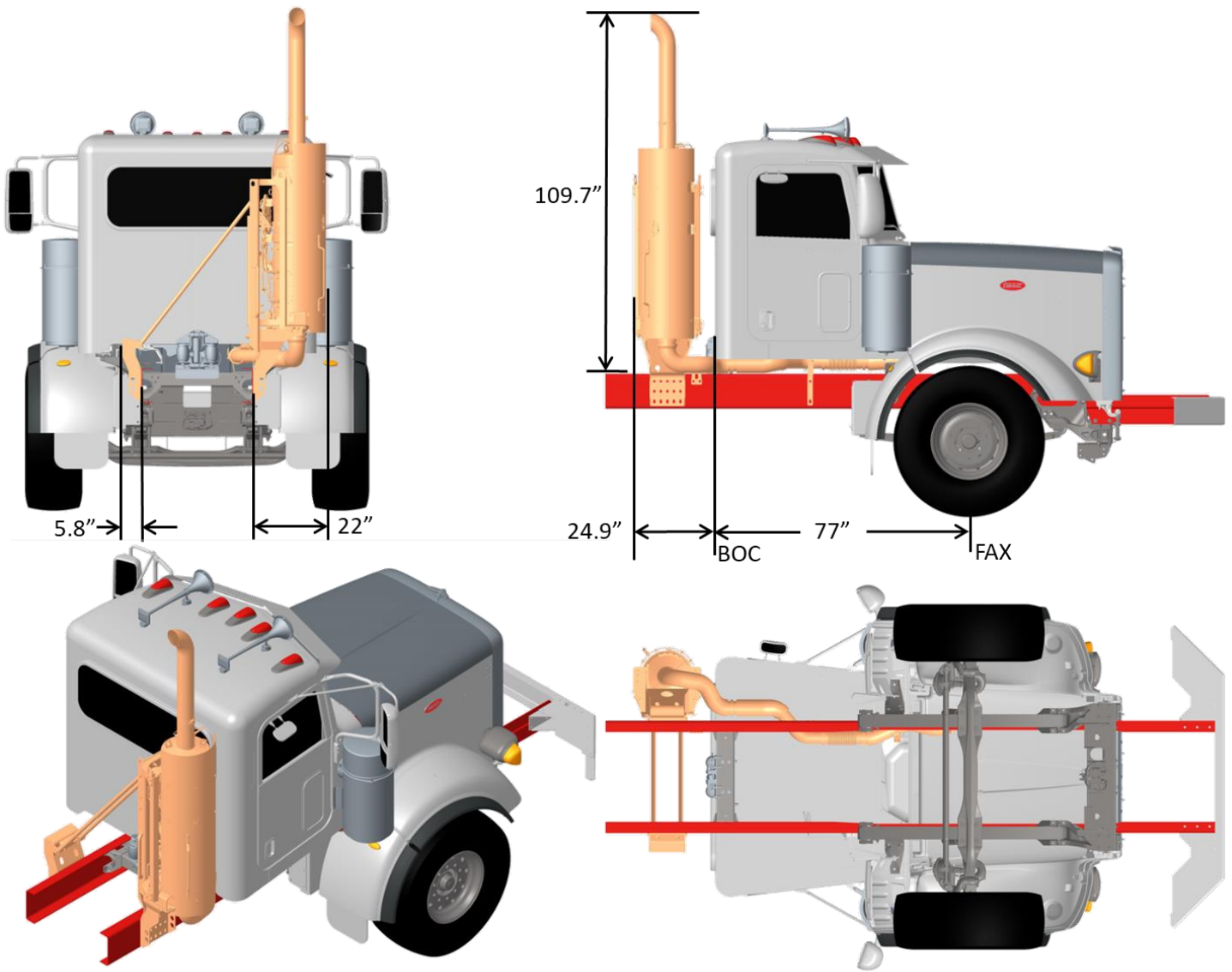


FIGURE 3-74. Exhaust Single RH BOC Vertical DPF/SCR

MODEL 367-123 SBFA HH EXHAUST SINGLE RH BOC VERTICAL DPF/SCR
 2021 EMISSIONS
 (Reference option code 3365280)

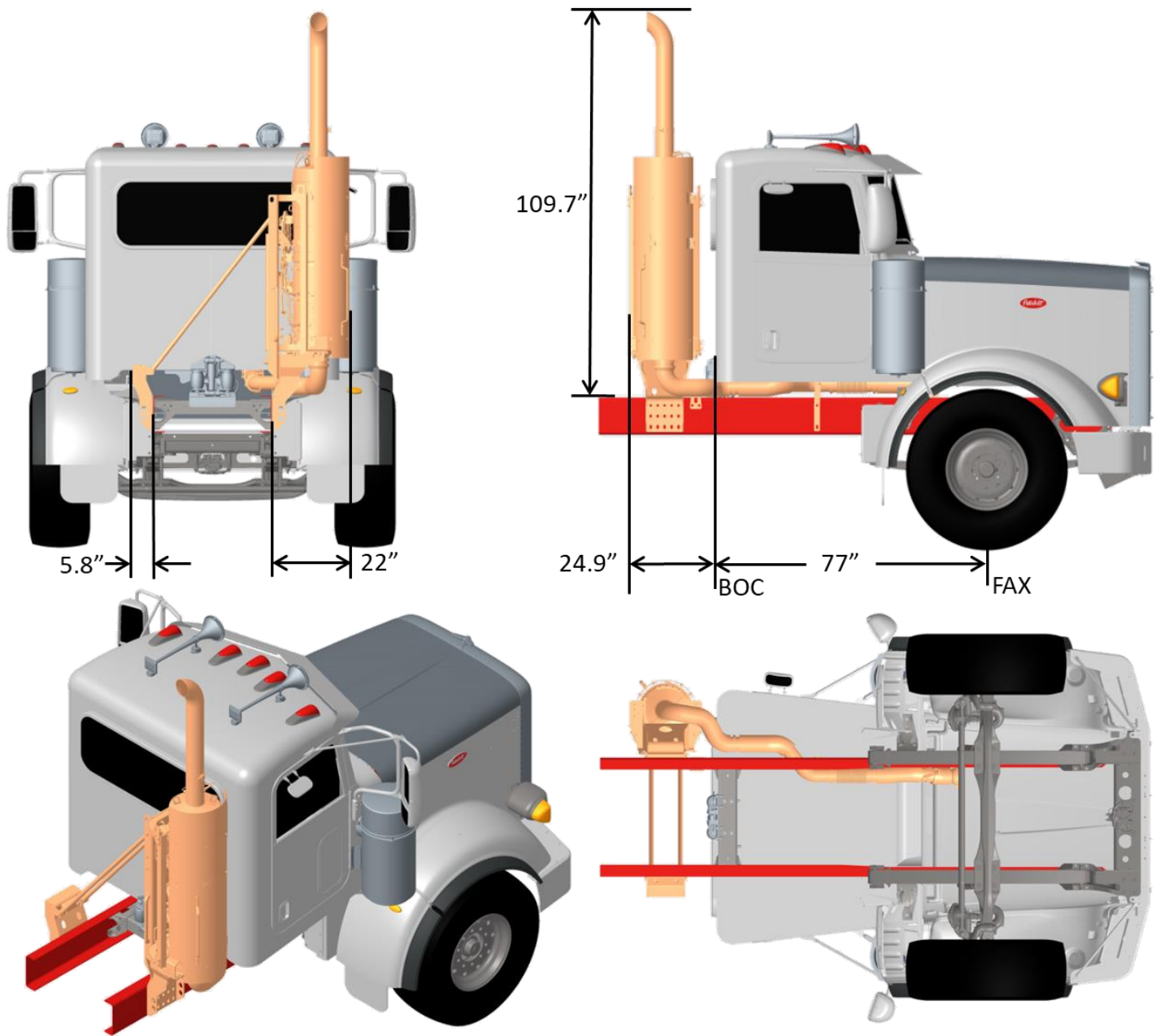


FIGURE 3-74. Exhaust Single RH BOC Vertical DPF/SCR

567/579 FAMILY 2021 EMISSIONS

MODEL 567-115 SBFA EXHAUST SINGLE RH BACK OF CAB DPF/SCR RH UNDER CAB
2021 EMISSIONS

(Reference option code 3365250)

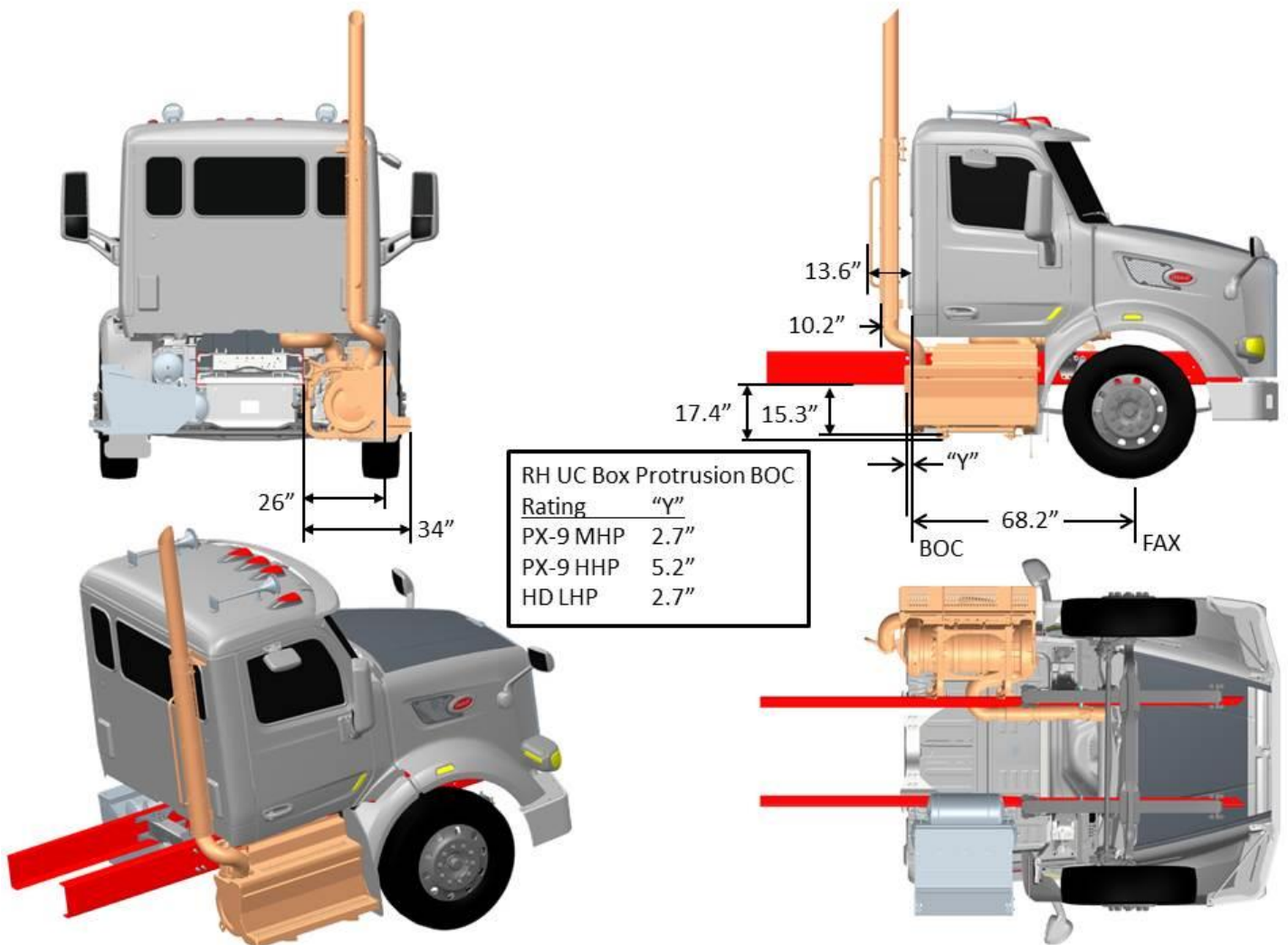


FIGURE 3-76. Exhaust Single RH Back of Cab DPF/SCR RH Under Cab

**MODEL 567-115 SBFA EXHAUST SINGLE RH SIDE OF CAB DPF/SCR RH UNDER CAB
2021 EMISSIONS**
(Reference option code **3365270**)

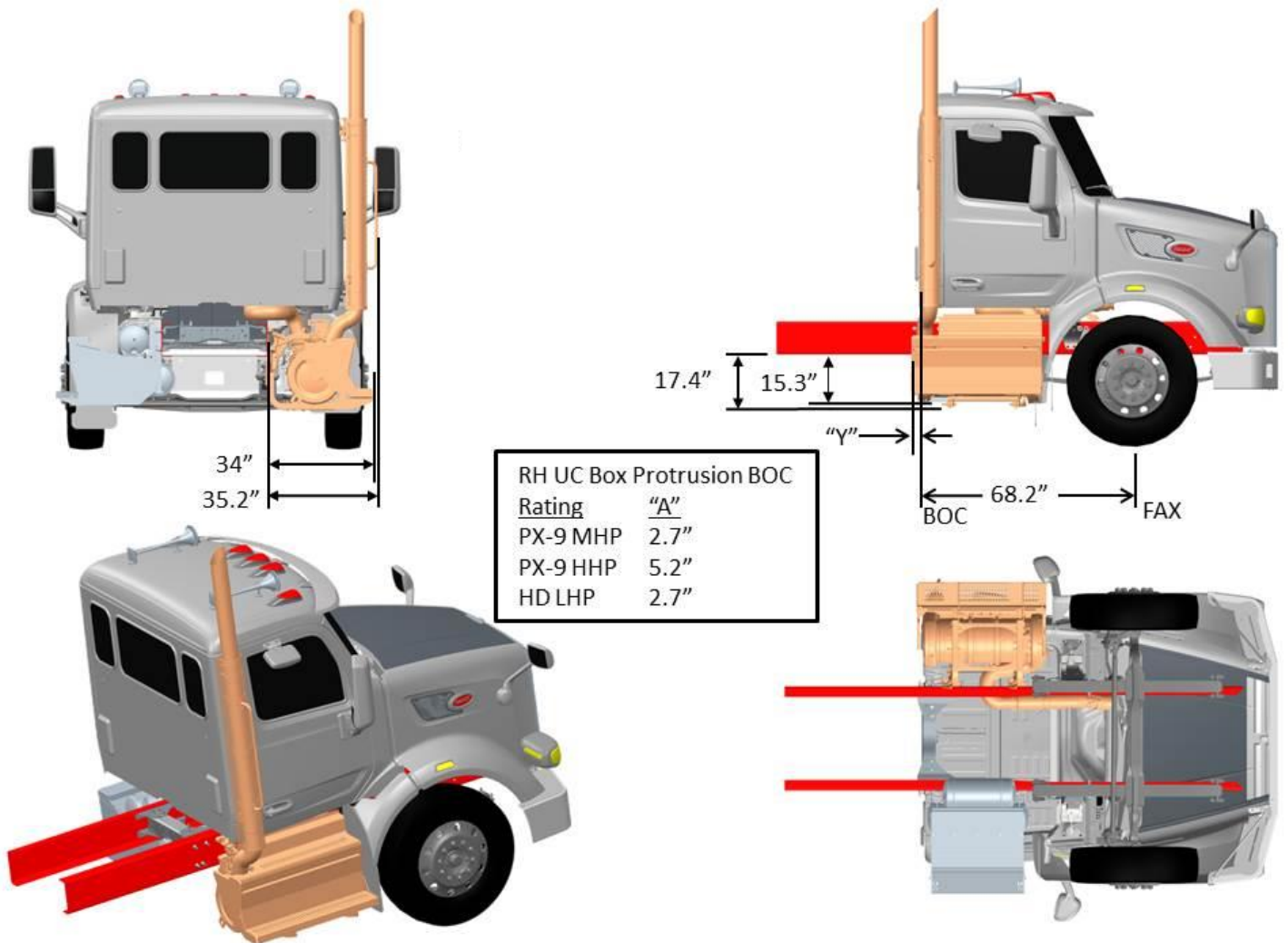


FIGURE 3-77. Exhaust Single RH Side of Cab DPF/SCR RH Under Cab

MODEL 567-115 SBFA EXHAUST SINGLE RH HORIZONTAL DPF/SCR RH UNDER CAB
 2021 EMISSIONS
 (Reference option code 3365280)

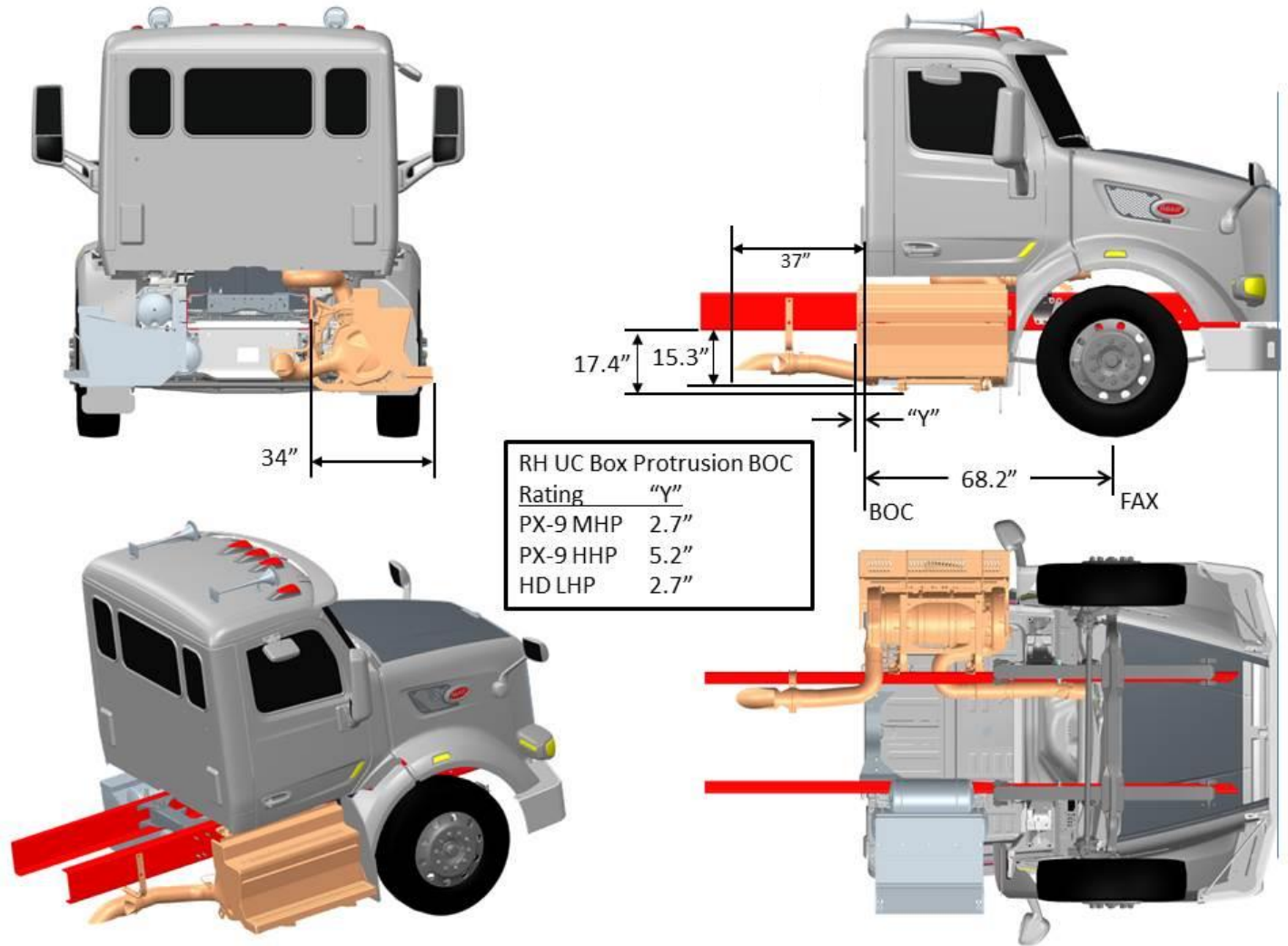


FIGURE 3-78. Exhaust Single RH Horizontal DPF/SCR RH Under Cab

**MODEL 567-115 SBFA EXHAUST SINGLE RH HORIZONTAL DPF/SCR RH UNDER FRAME
2021 EMISSIONS**
(Reference option code **3365290**)

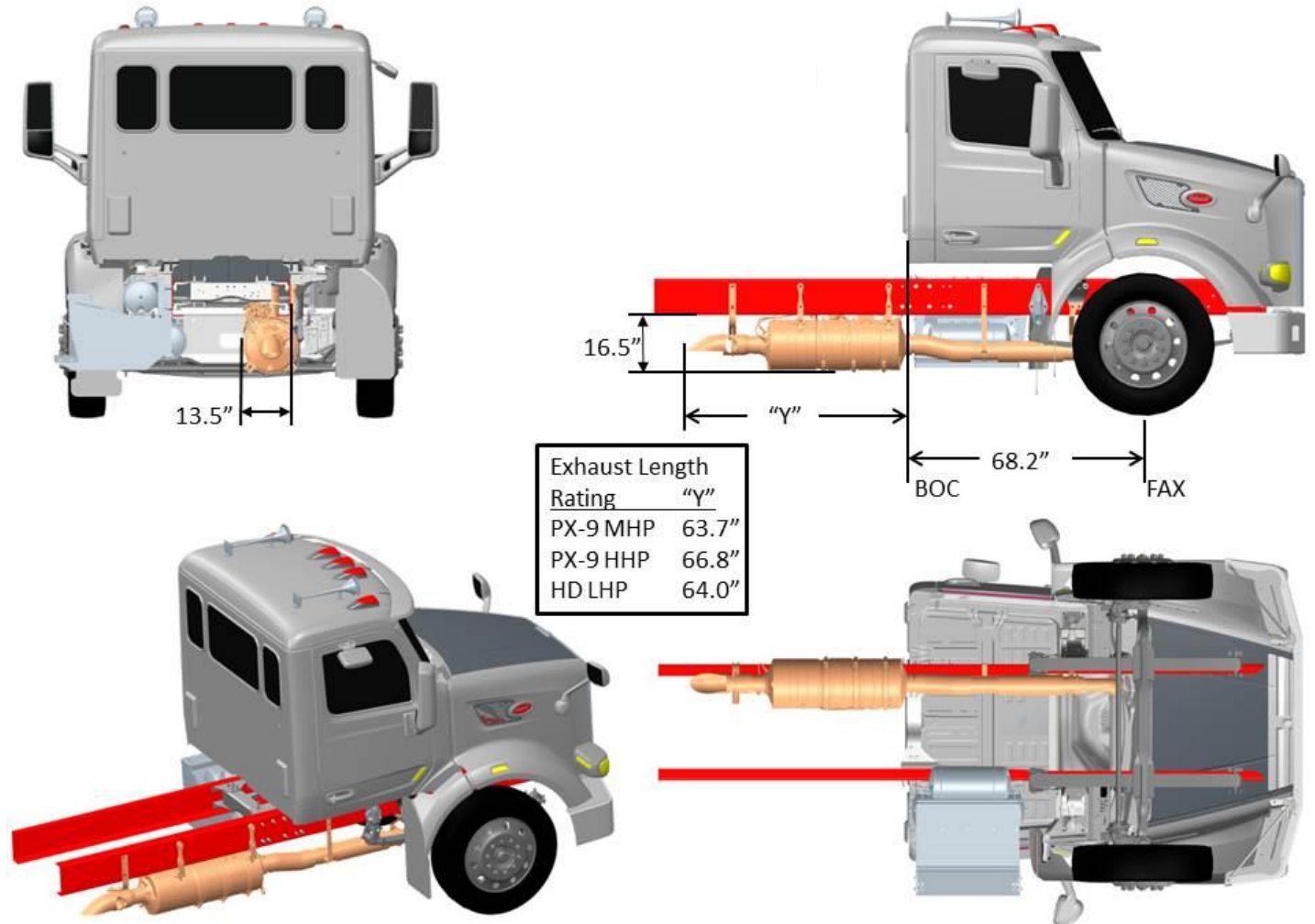


FIGURE 3-79. Exhaust Single RH Horizontal DPF/SCR RH Under Frame

MODEL 567-115 SBFA EXHAUST DUAL SOC DPF/SCR RH UNDER CAB
 2021 EMISSIONS
 (Reference option code 3365340)

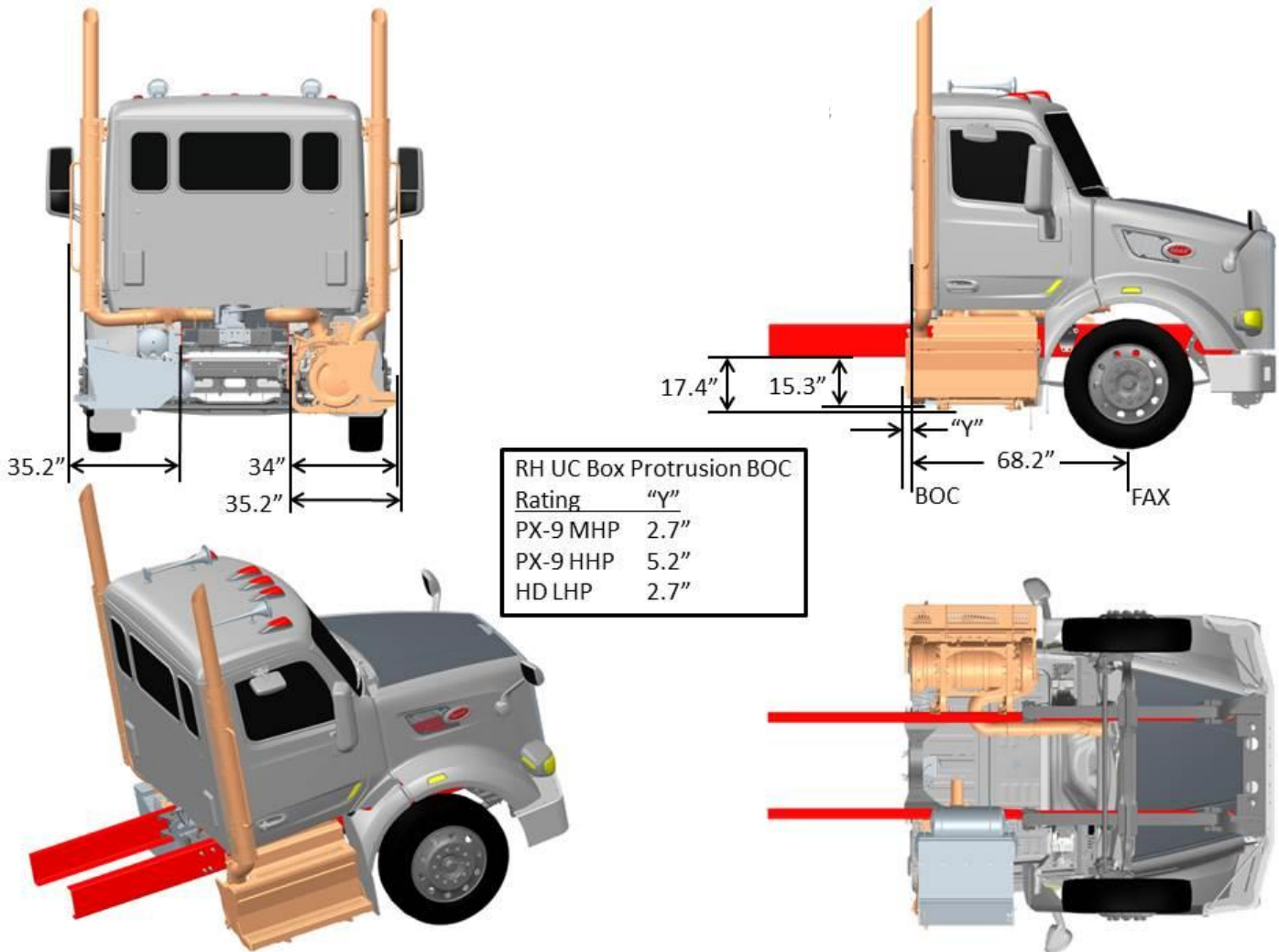


FIGURE 3-80. Exhaust Dual SOC DPF/SCR RH Under Cab

MODEL 567-115 SBFA EXHAUST SINGLE RH BOC VERTICAL DPF/SCR
 2021 EMISSIONS
 (Reference option code 3365340)

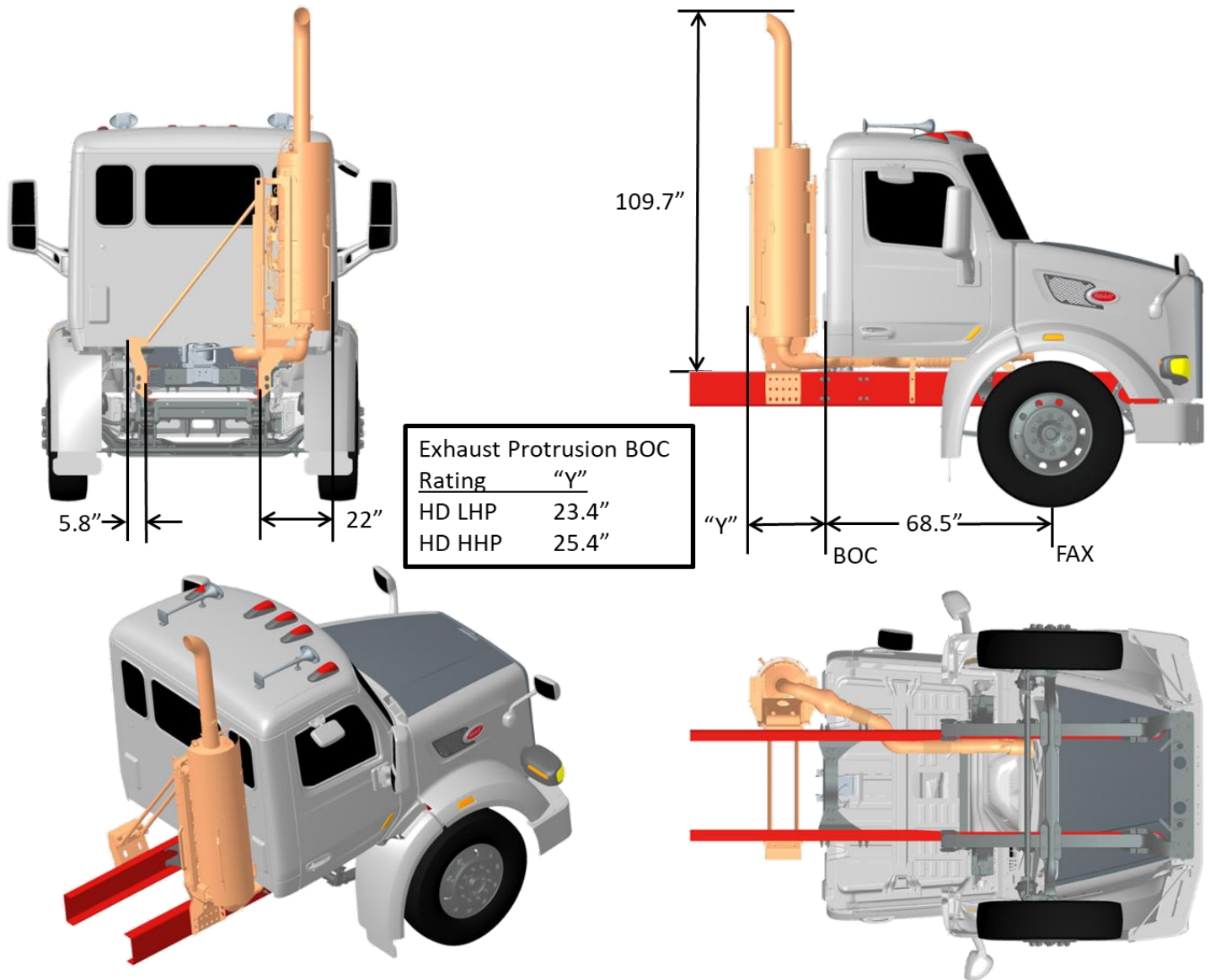


FIGURE 3-80. Exhaust Single RH BOC Vertical DPF/SCR

MODEL 567-115 SFFA EXHAUST SINGLE RH BACK OF CAB DPF/SCR RH UNDER CAB
 2021 EMISSIONS
 (Reference option code 3365250)

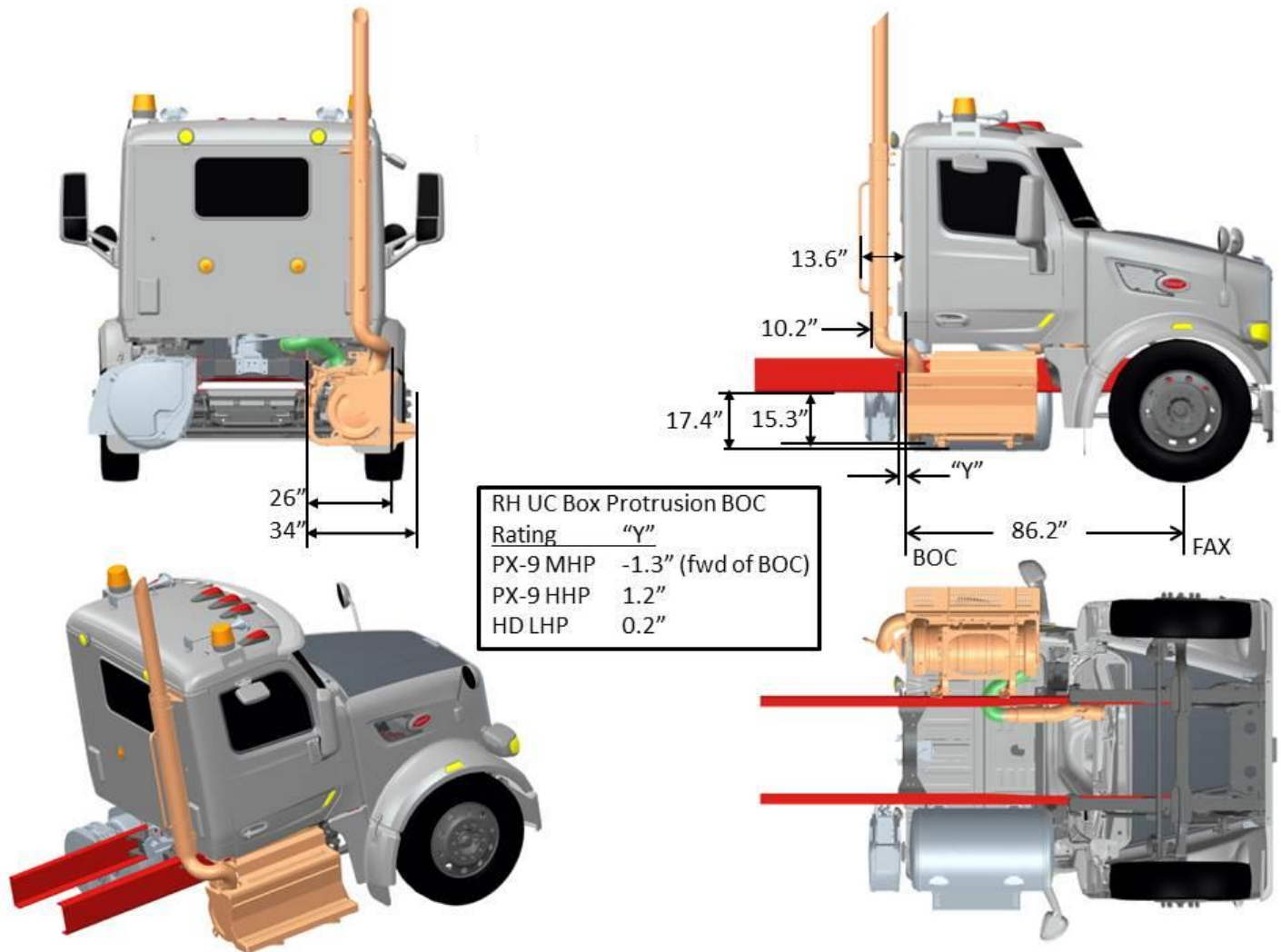


FIGURE 3-81. Exhaust Single RH Back of Cab DPF/SCR RH Under Cab

MODEL 567-115 SFFA EXHAUST SINGLE RH SIDE OF CAB DPF/SCR RH UNDER CAB
 2021 EMISSIONS
 (Reference option code 3365270)

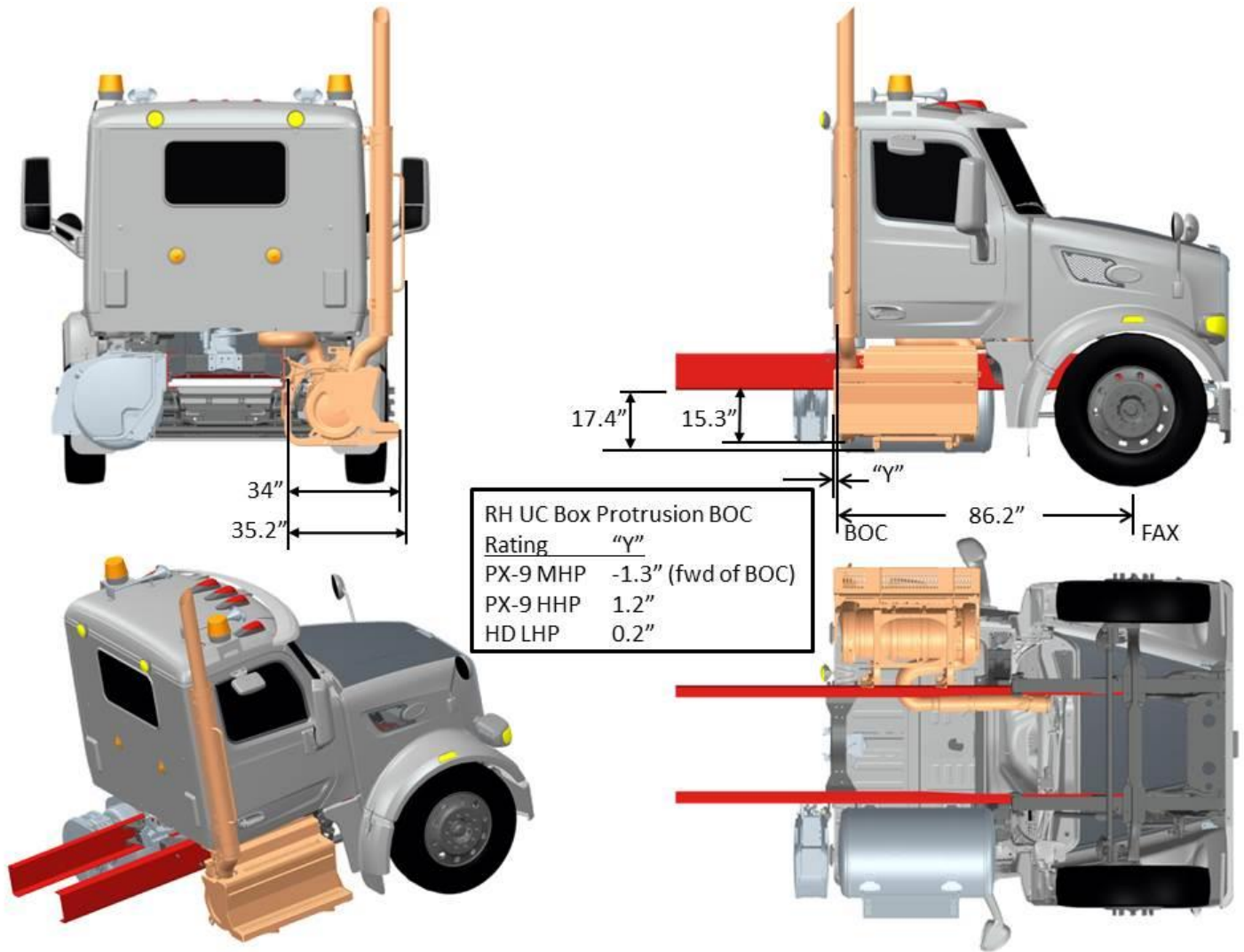


FIGURE 3-82. Exhaust Single RH Side of Cab DPF/SCR RH Under Cab

**MODEL 567-115 SFFA EXHAUST SINGLE RH HORIZONTAL DPF/SCR RH UNDER CAB
2021 EMISSIONS**
(Reference option code **3365280**)

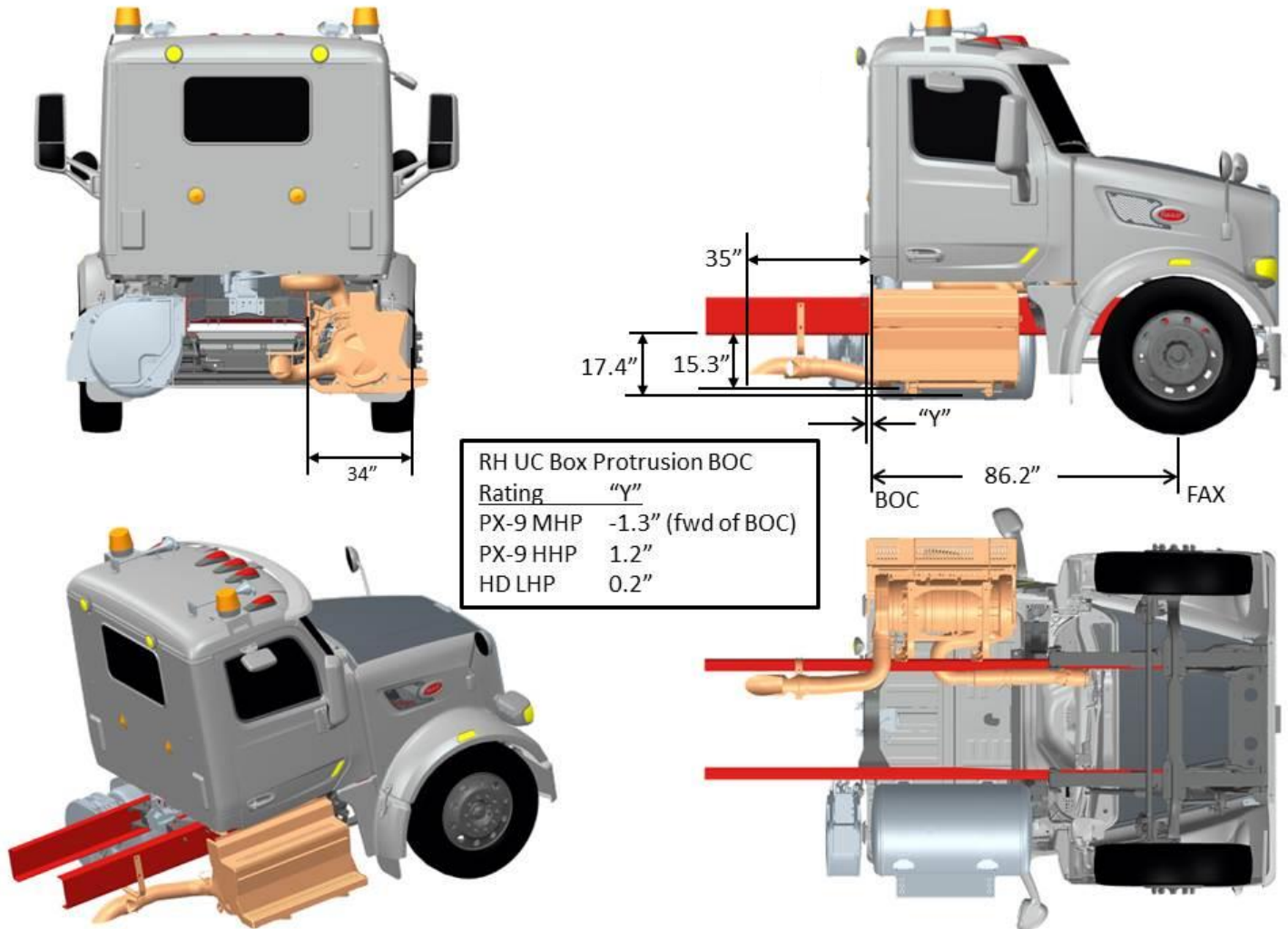


FIGURE 3-83. Exhaust Single RH Horizontal DPF/SCR RH Under Cab

MODEL 567-115 SFFA EXHAUST SINGLE RH HORIZONTAL DPF/SCR RH UNDER FRAME
 2021 EMISSIONS
 (Reference option code 3365290)

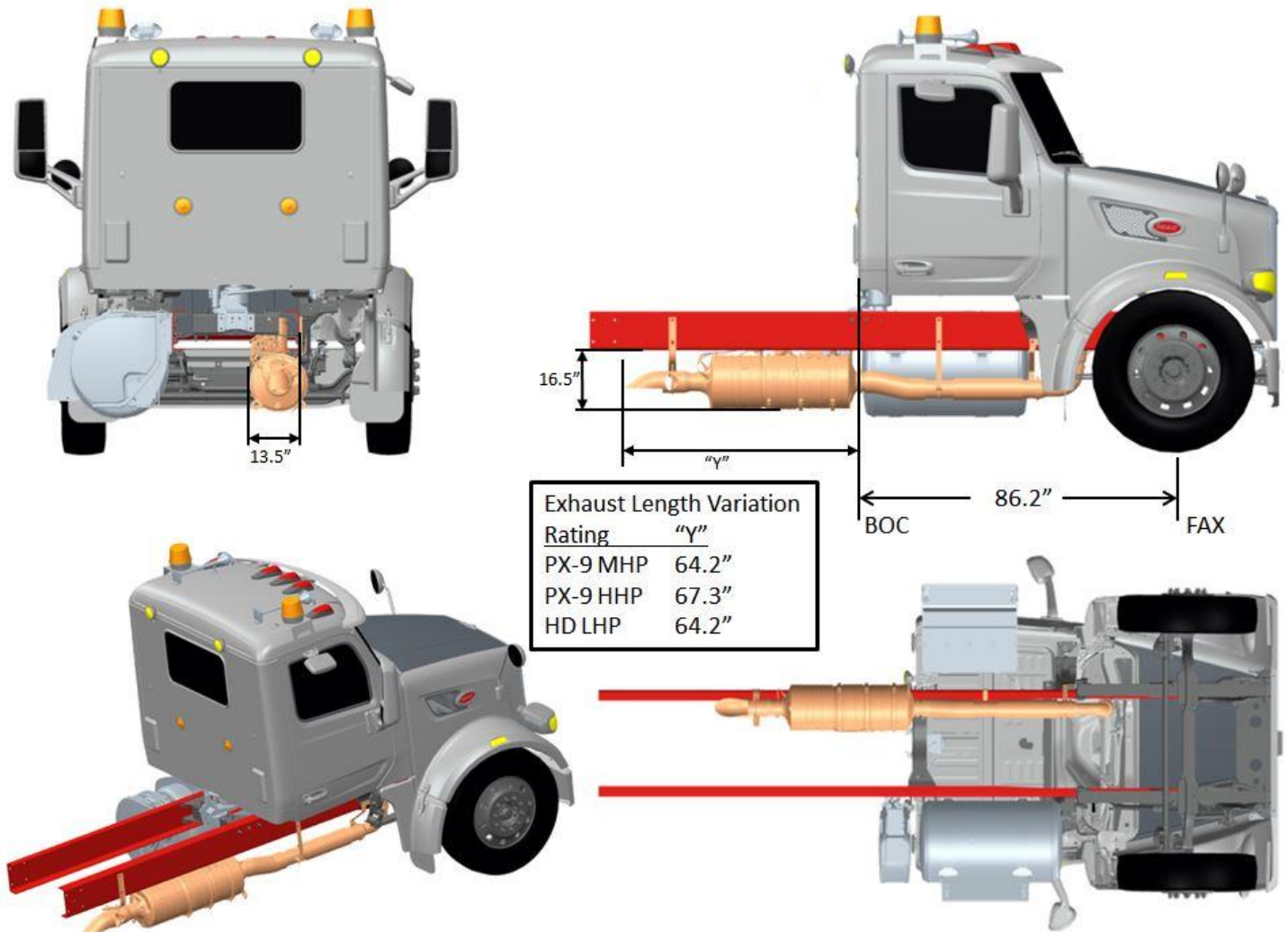


FIGURE 3-84. Exhaust Single RH Horizontal DPF/SCR RH Under Frame

MODEL 567-115 SFFA EXHAUST DUAL SOC DPF/SCR RH UNDER CAB
2021 EMISSIONS
 (Reference option code **3365340**)

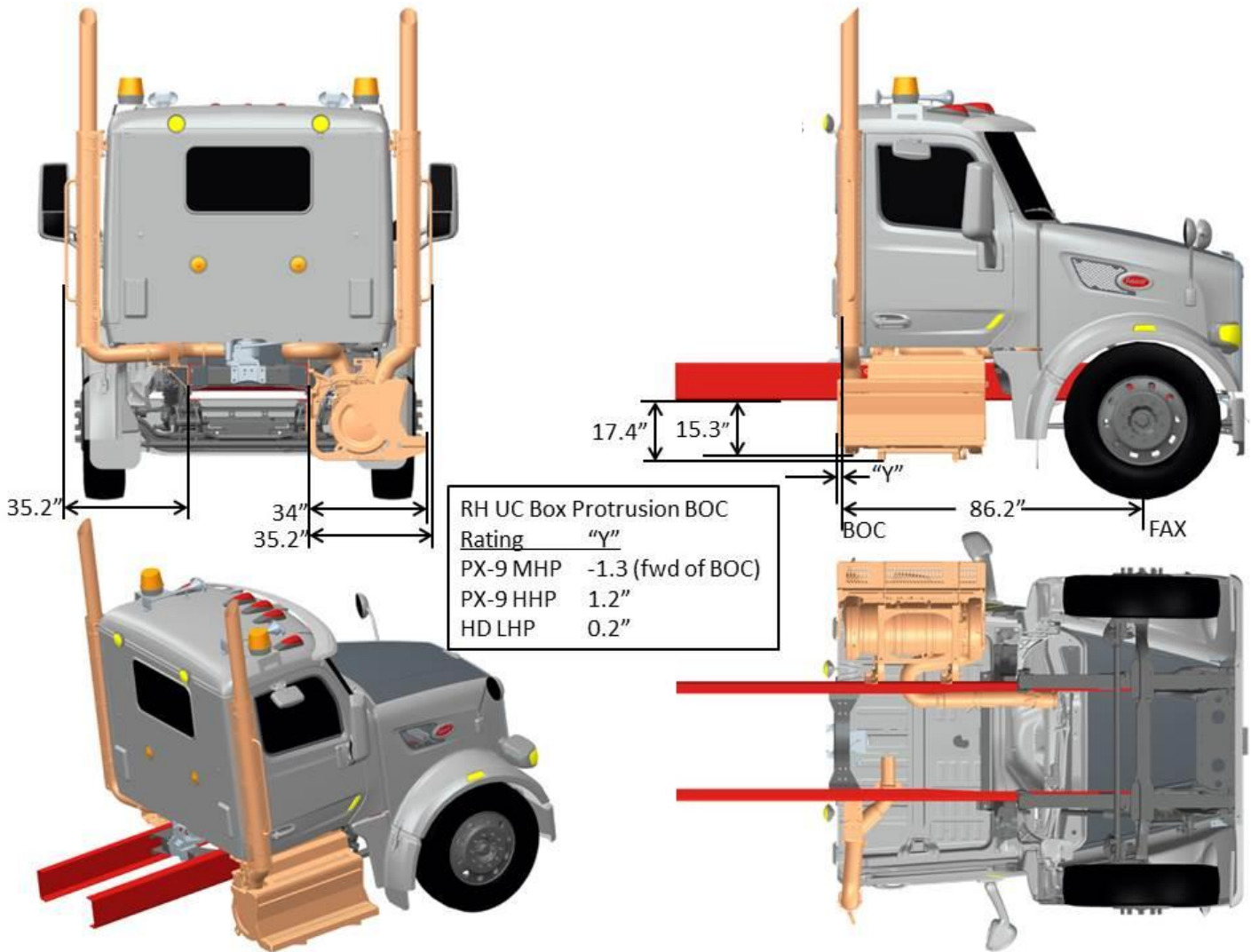


FIGURE 3-85. Exhaust Dual SOC DPF/SCR RH Under Cab

MODEL 567-115 SFFA EXHAUST SINGLE RH BOC VERTICAL DPF/SCR
 2021 EMISSIONS
 (Reference option code 3365340)

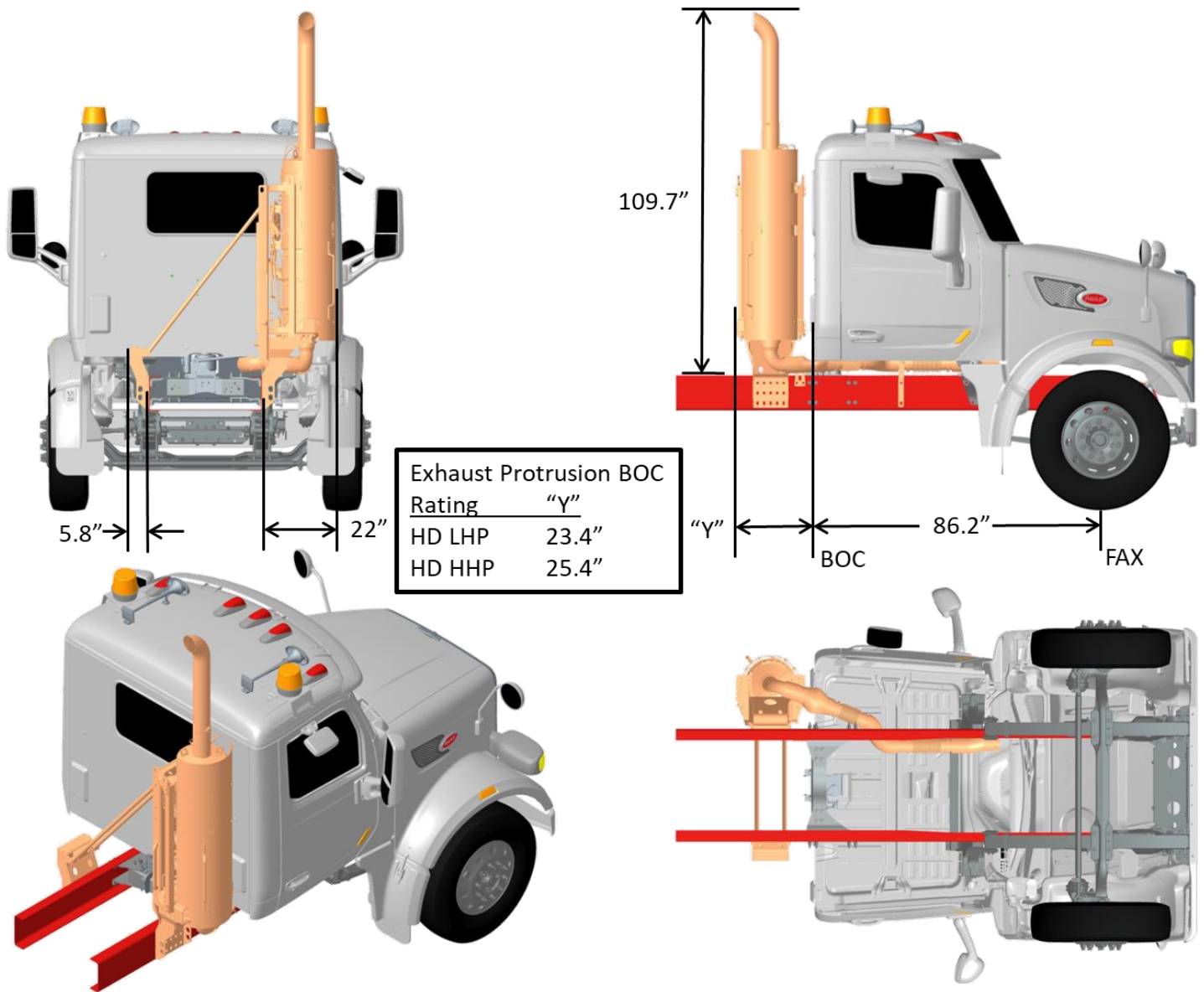


FIGURE 3-85. Exhaust Single RH BOC Vertical DPF/SCR

MODEL 567-121 SBFA EXHAUST SINGLE RH BACK OF CAB DPF/SCR RH UNDER CAB
 2021 EMISSIONS
 (Reference option code 3365250)

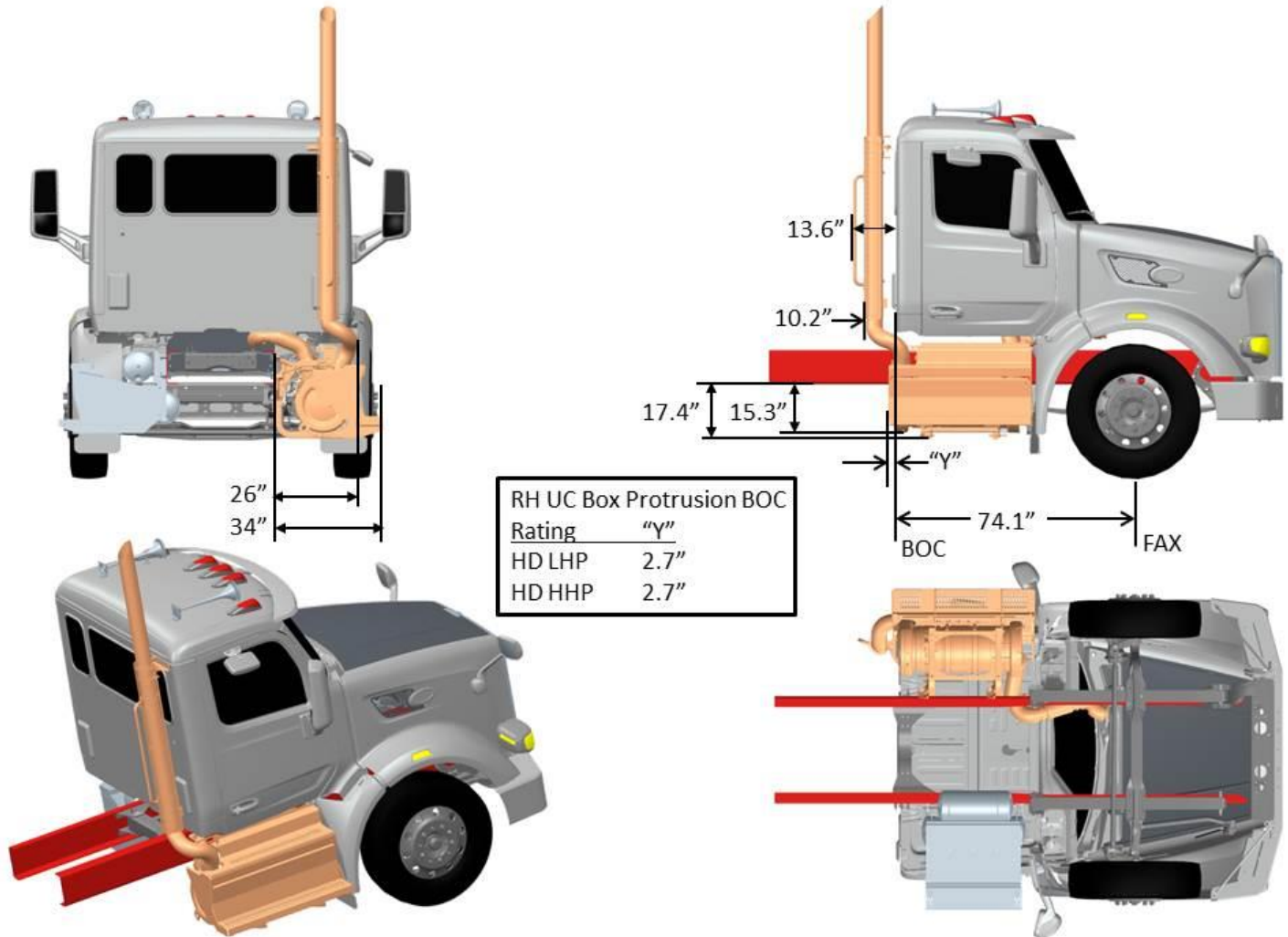


FIGURE 3-86. Exhaust Single RH Back of Cab DPF/SCR RH Under Cab

MODEL 567-121 SBFA EXHAUST SINGLE RH SIDE OF CAB DPF/SCR RH UNDER CAB
 2021 EMISSIONS
 (Reference option code 3365270)

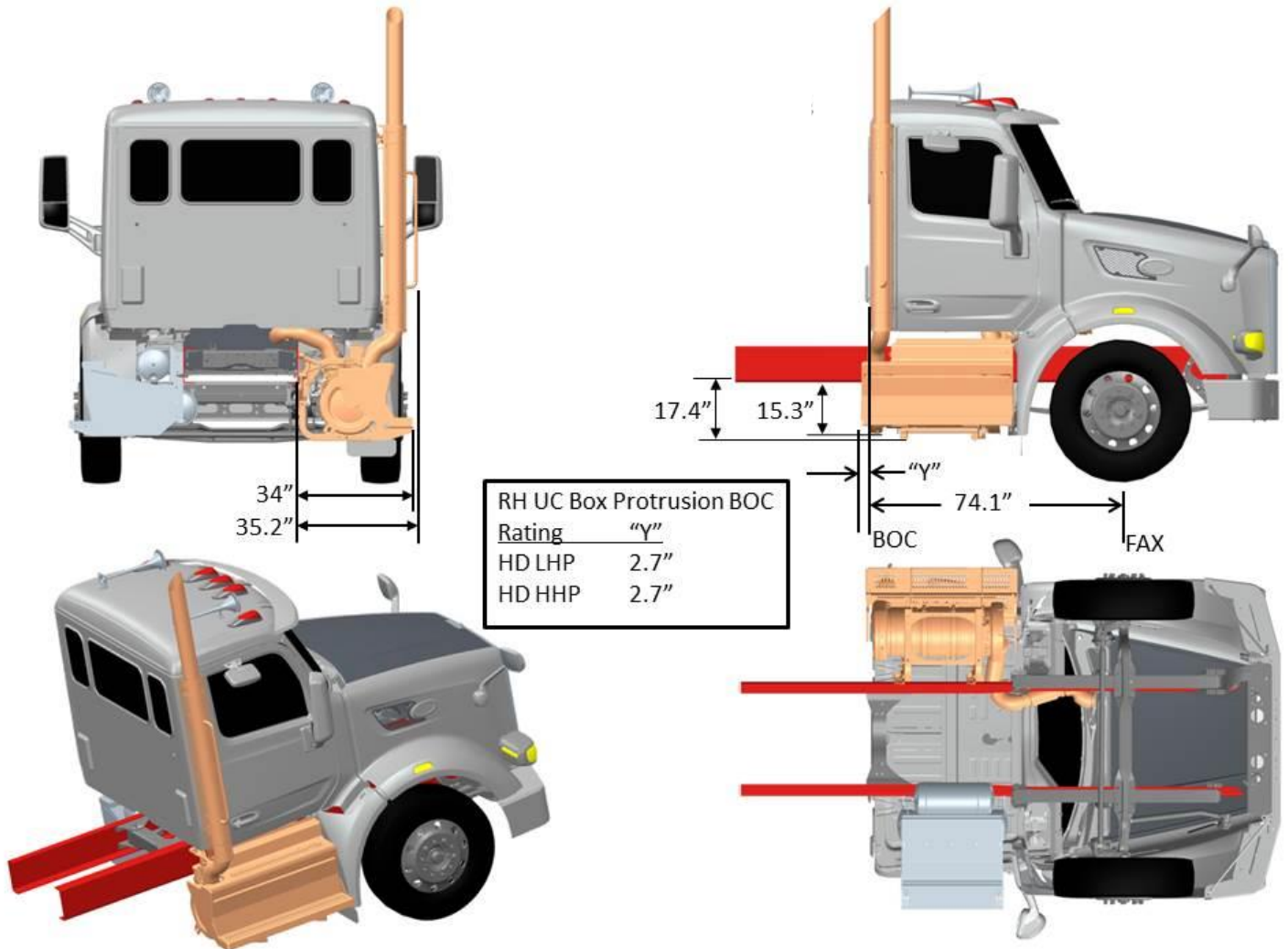


FIGURE 3-87. Exhaust Single RH Side of Cab DPF/SCR RH Under Cab

MODEL 567-121 SBFA EXHAUST SINGLE RH HORIZONTAL DPF/SCR RH UNDER CAB
 2021 EMISSIONS
 (Reference option code 3365280)

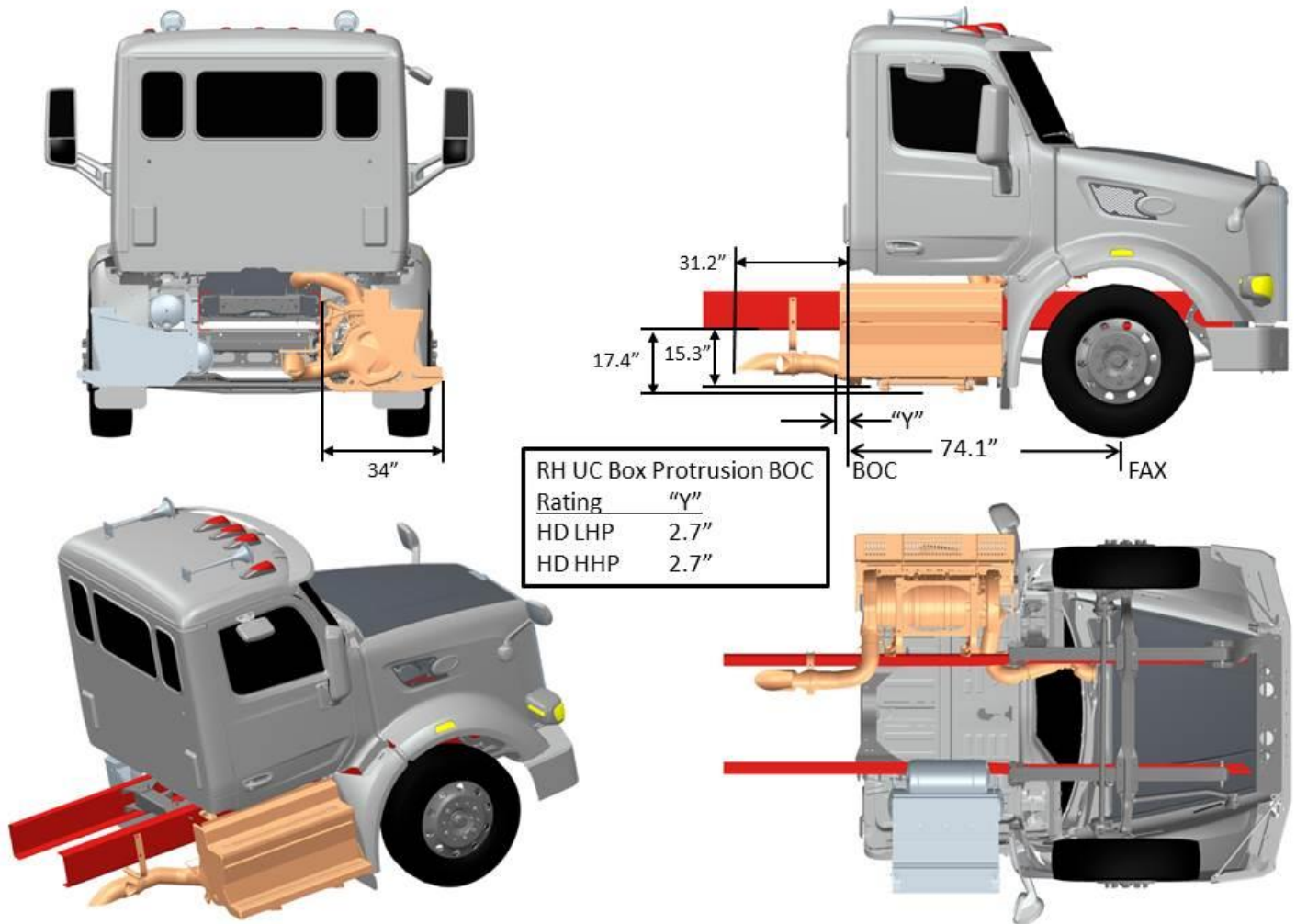


FIGURE 3-88. Exhaust Single RH Horizontal DPF/SCR RH Under Cab

MODEL 567-121 SBFA EXHAUST SINGLE RH HORIZONTAL DPF/SCR RH UNDER FRAME
 2021 EMISSIONS
 (Reference option code 3365290)

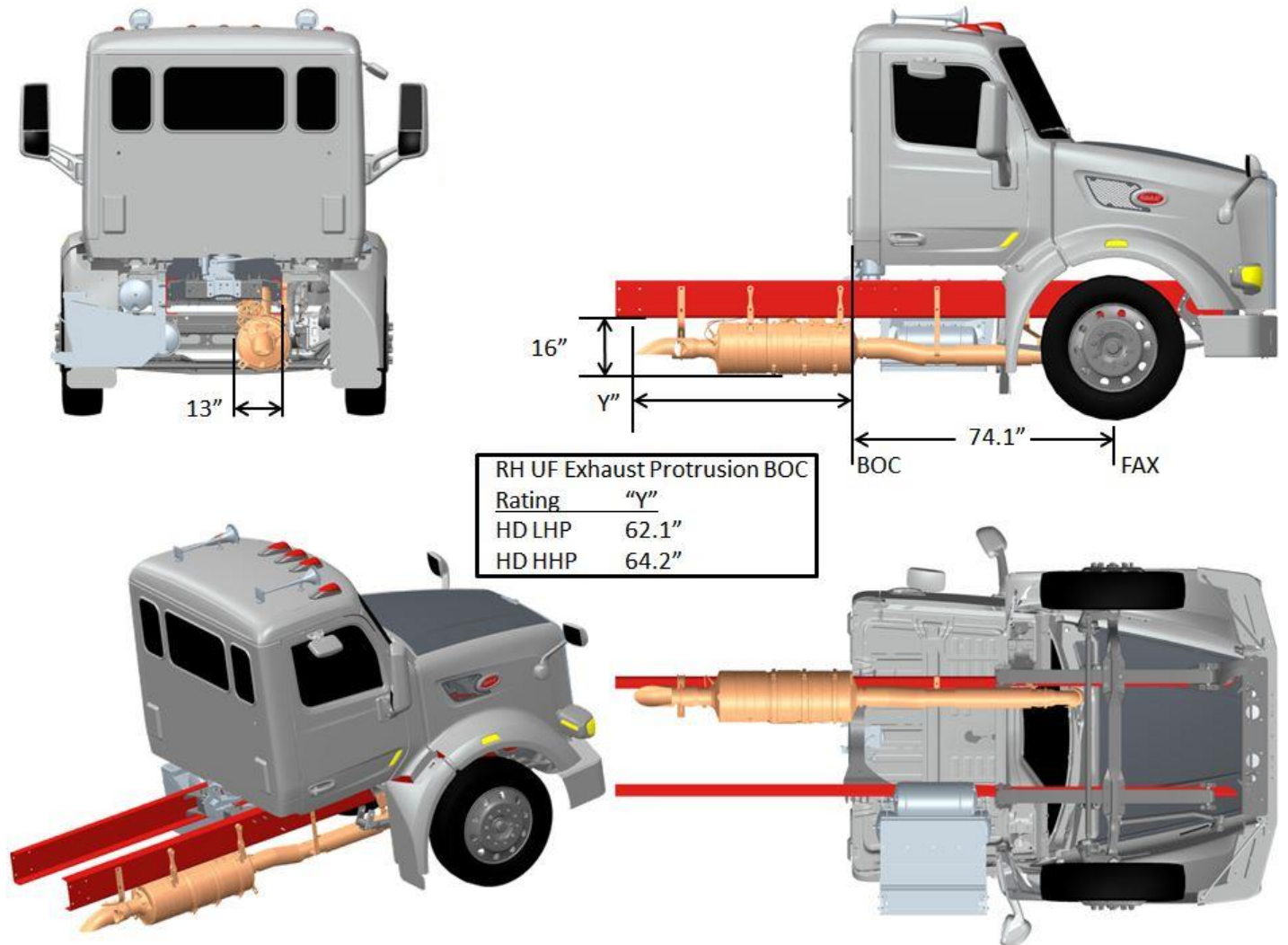


FIGURE 3-89. Exhaust Single RH Horizontal DPF/SCR RH Under Frame

**MODEL 567-121 SBFA EXHAUST DUAL SOC DPF/SCR RH UNDER CAB
2021 EMISSIONS**
(Reference option code **3365340**)

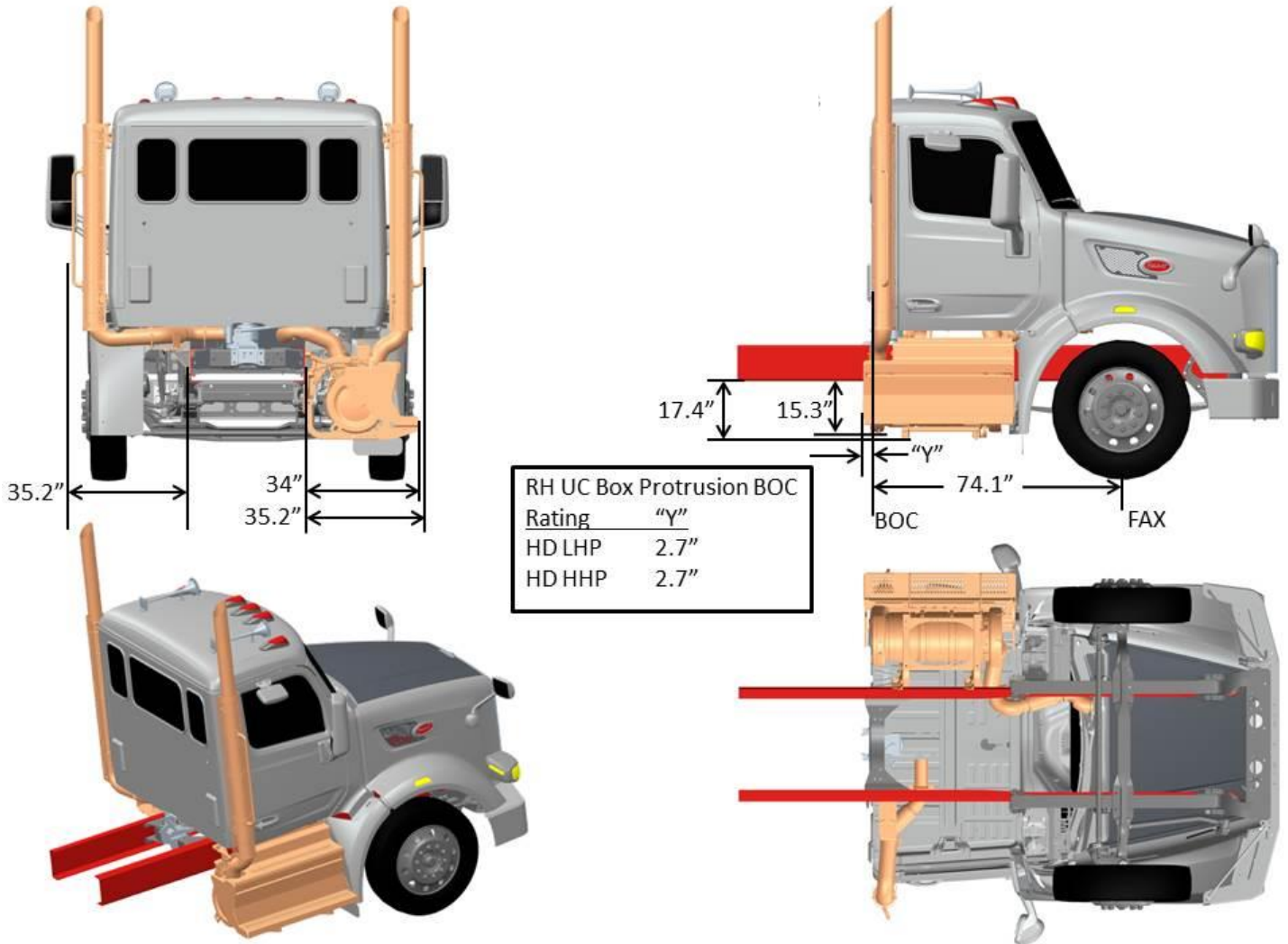


FIGURE 3-90. Exhaust Dual SOC DPF/SCR RH Under Cab

MODEL 567-121 SBFA EXHAUST SINGLE RH BOC VERTICAL DPF/SCR
 2021 EMISSIONS
 (Reference option code 3365340)

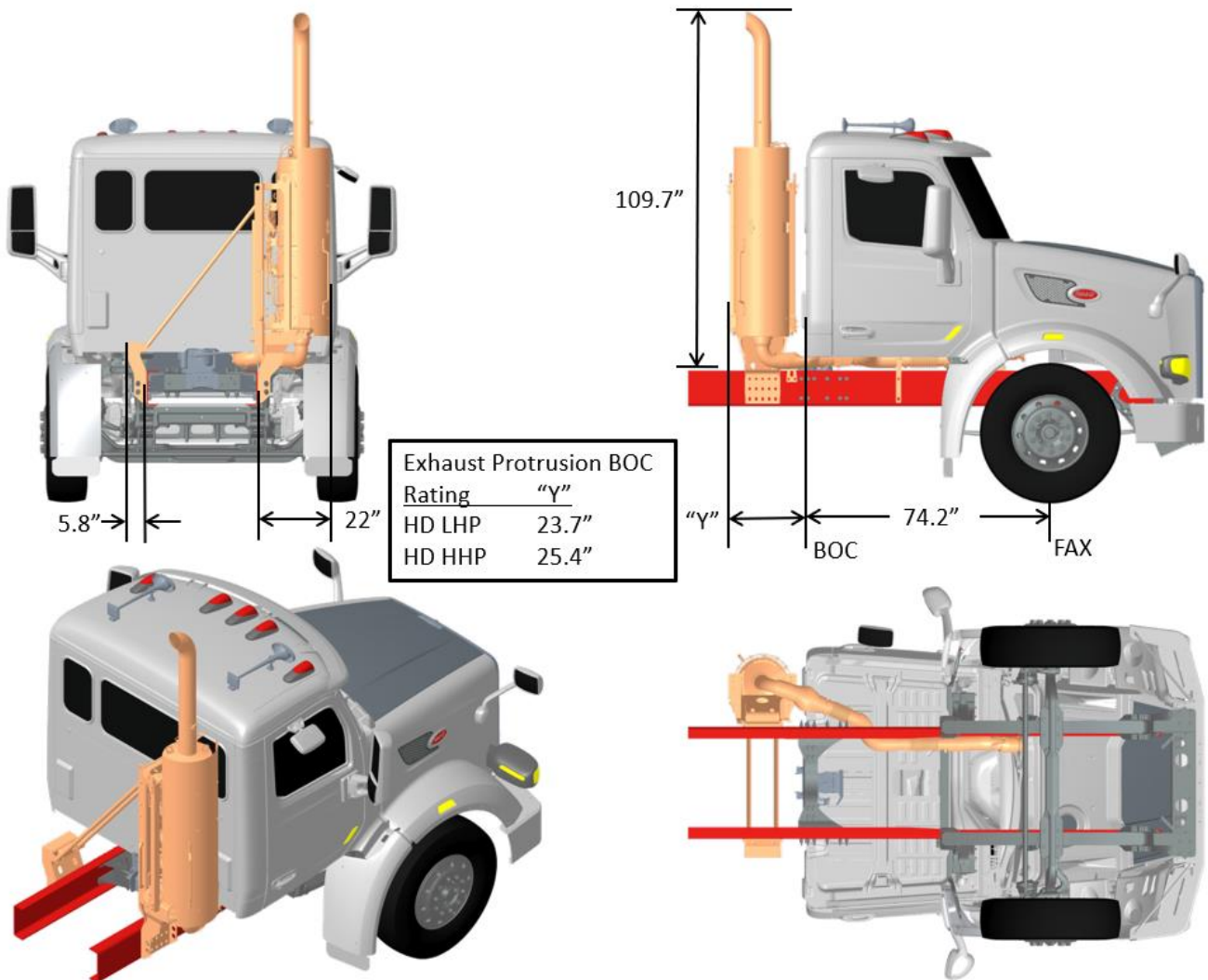


FIGURE 3-90. Exhaust Single RH BOC Vertical DPF/SCR

MODEL 567-121 SFFA EXHAUST SINGLE RH BACK OF CAB DPF/SCR RH UNDER CAB
 2021 EMISSIONS
 (Reference option code 3365250)

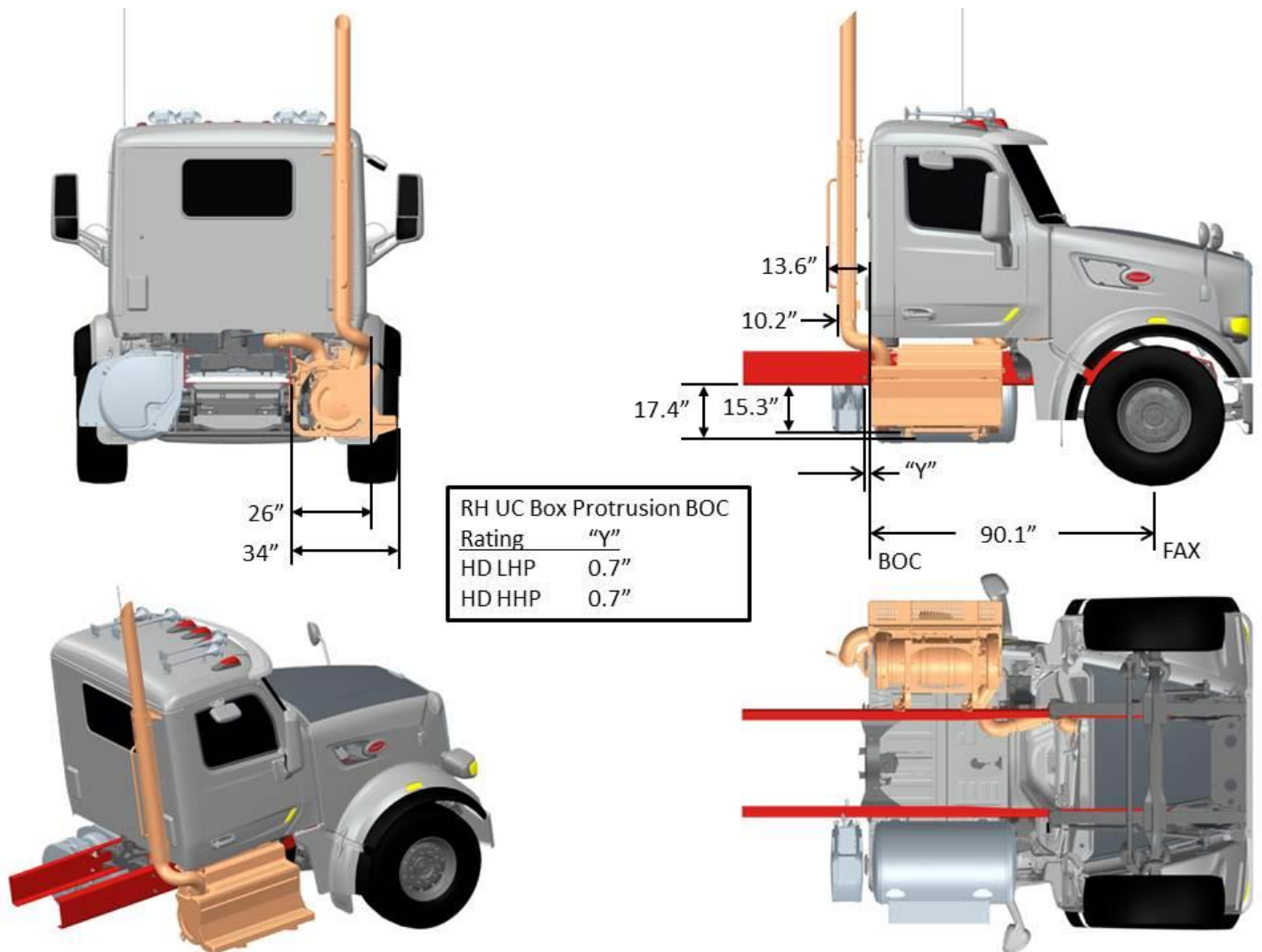


FIGURE 3-91. Exhaust Single RH Back of Cab DPF/SCR RH Under Cab

MODEL 567-121 SFFA EXHAUST SINGLE RH SIDE OF CAB DPF/SCR RH UNDER CAB
 2021 EMISSIONS
 (Reference option code 3365270)

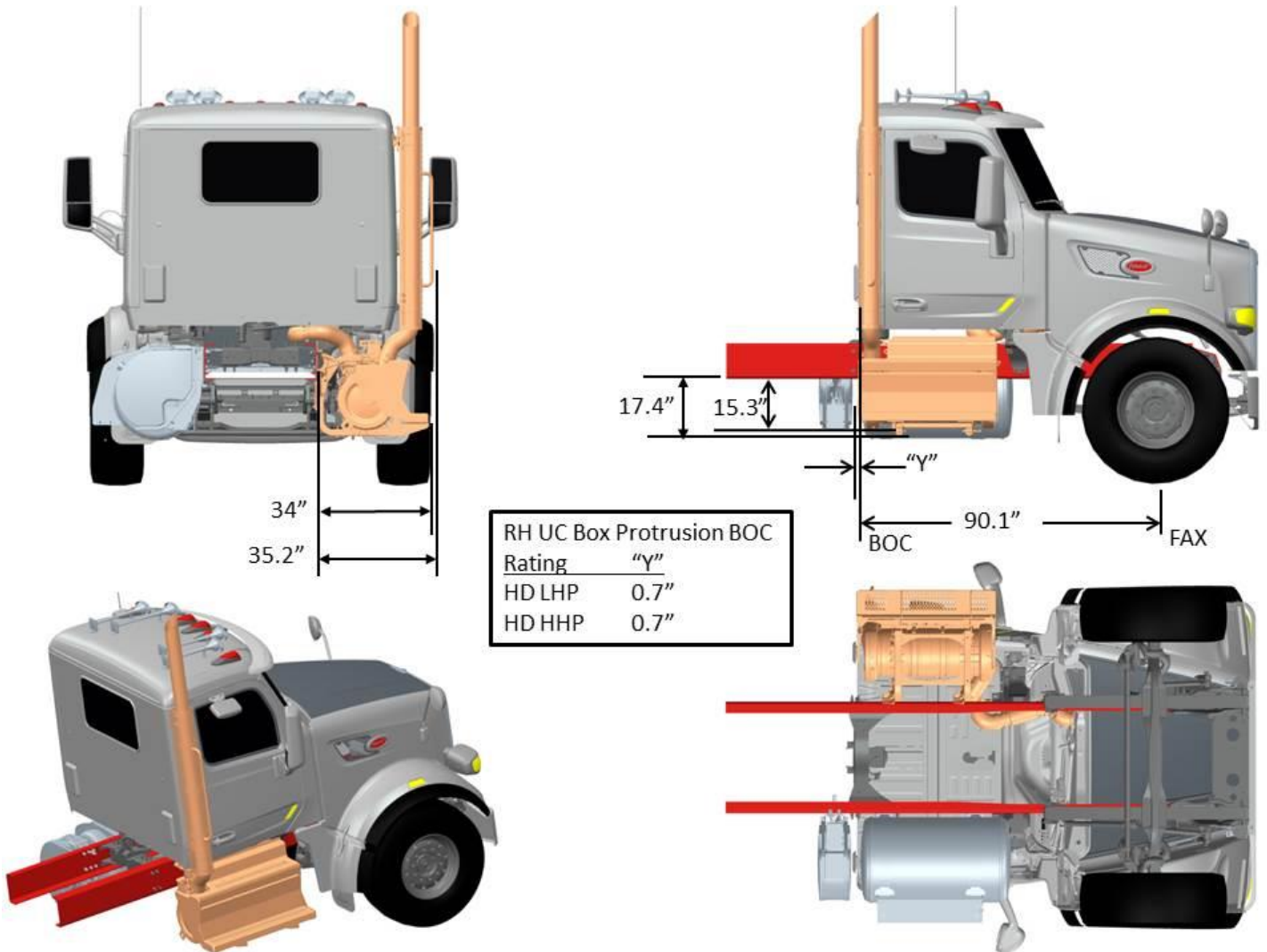


FIGURE 3-92. Exhaust Single RH Side of Cab DPF/SCR RH Under Cab

MODEL 567-121 SFFA EXHAUST SINGLE RH HORIZONTAL DPF/SCR RH UNDER CAB
 2021 EMISSIONS
 (Reference option code 3365280)

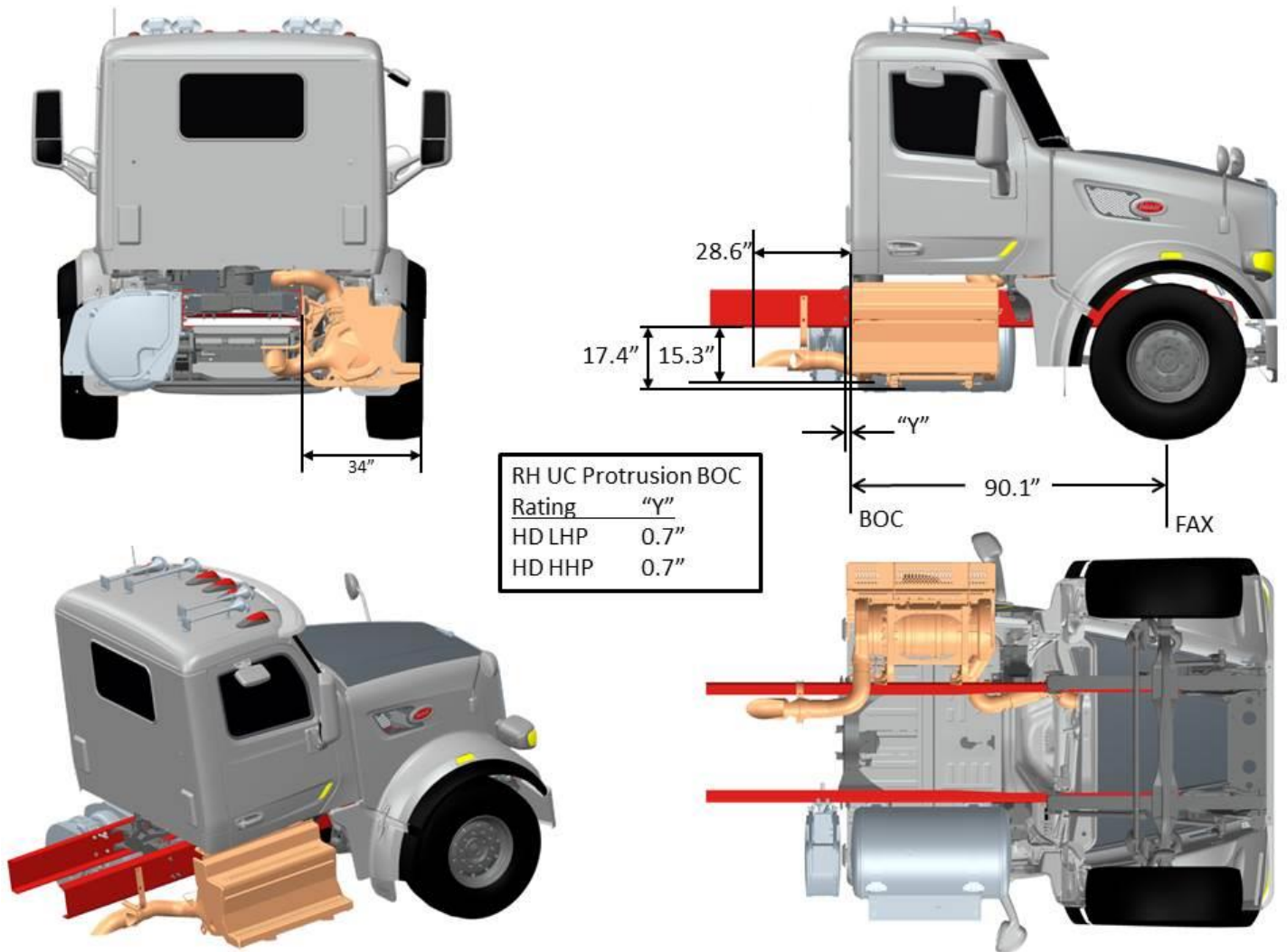


FIGURE 3-93. Exhaust Single RH Horizontal DPF/SCR RH Under Cab

MODEL 567-121 SFFA EXHAUST SINGLE RH HORIZONTAL DPF/SCR RH UNDER FRAME
 2021 EMISSIONS
 (Reference option code 3365290)

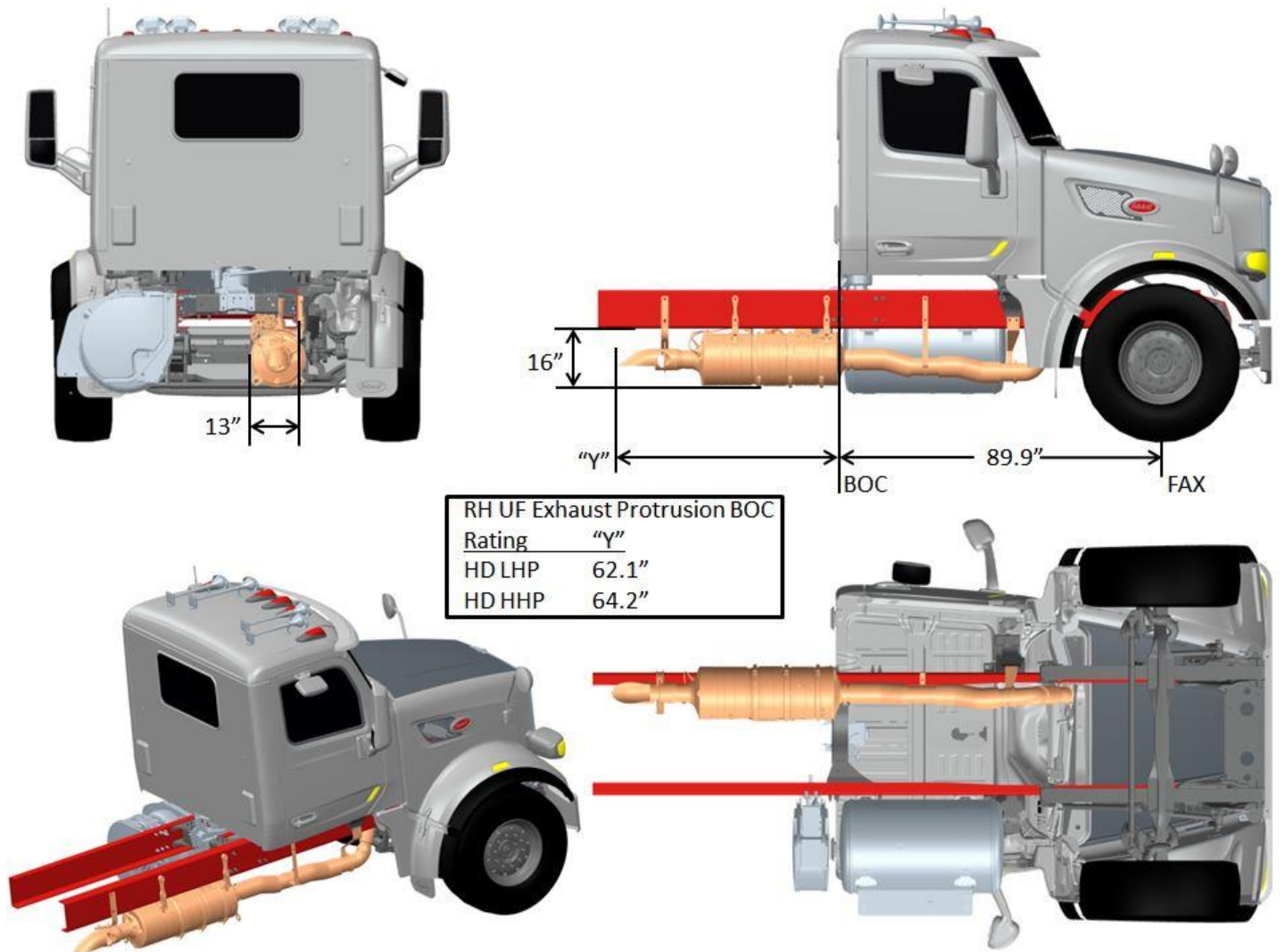


FIGURE 3-94. Exhaust Single RH Horizontal DPF/SCR RH Under Frame

MODEL 567-121 SFFA EXHAUST DUAL SOC DPF/SCR RH UNDER CAB
 2021 EMISSIONS
 (Reference option code 3365340)

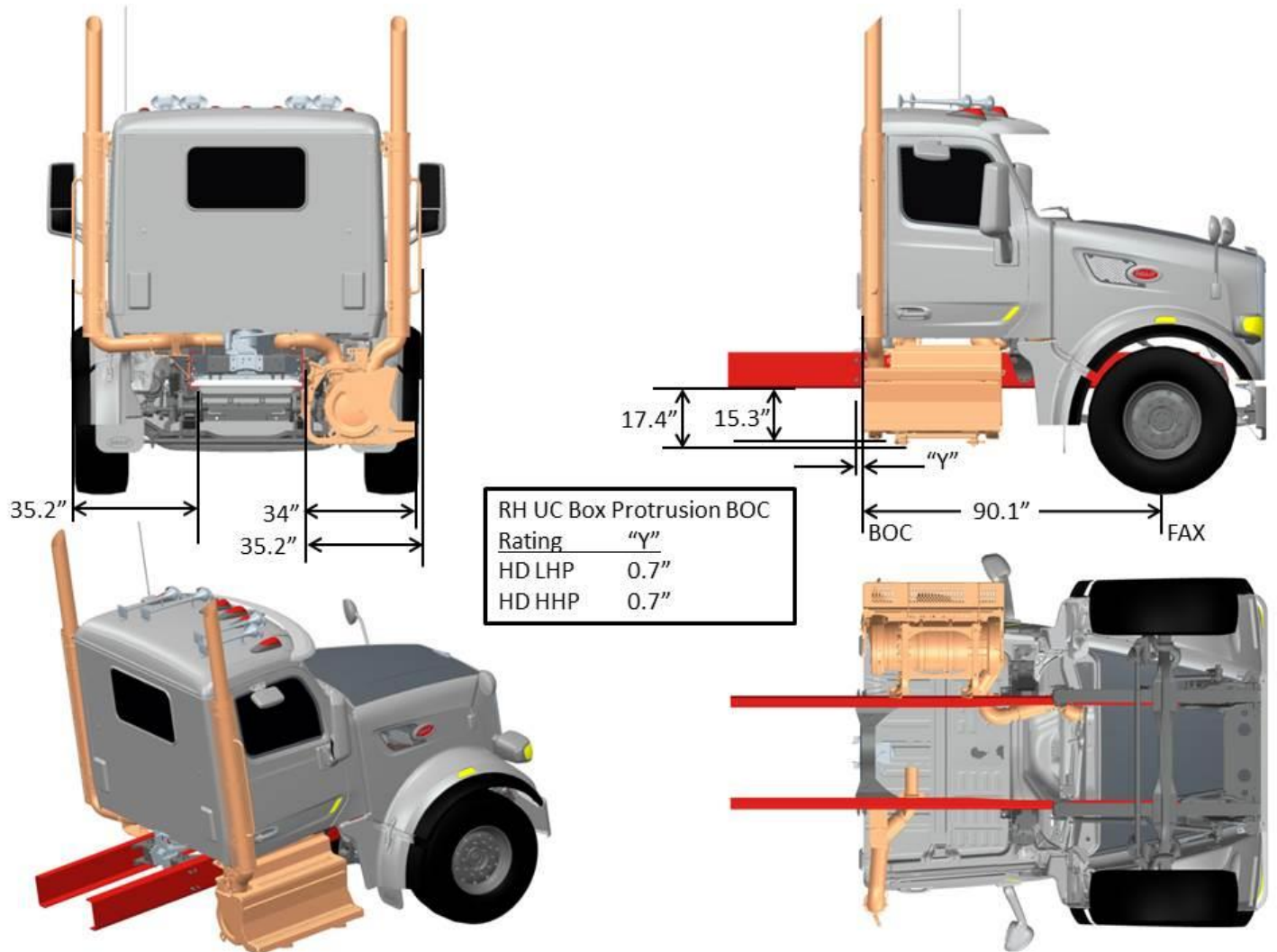


FIGURE 3-95. Exhaust Dual SOC DPF/SCR RH Under Cab

MODEL 567-121 SFFA EXHAUST SINGLE RH BOC VERTICAL DPF/SCR
 2021 EMISSIONS
 (Reference option code 3365340)

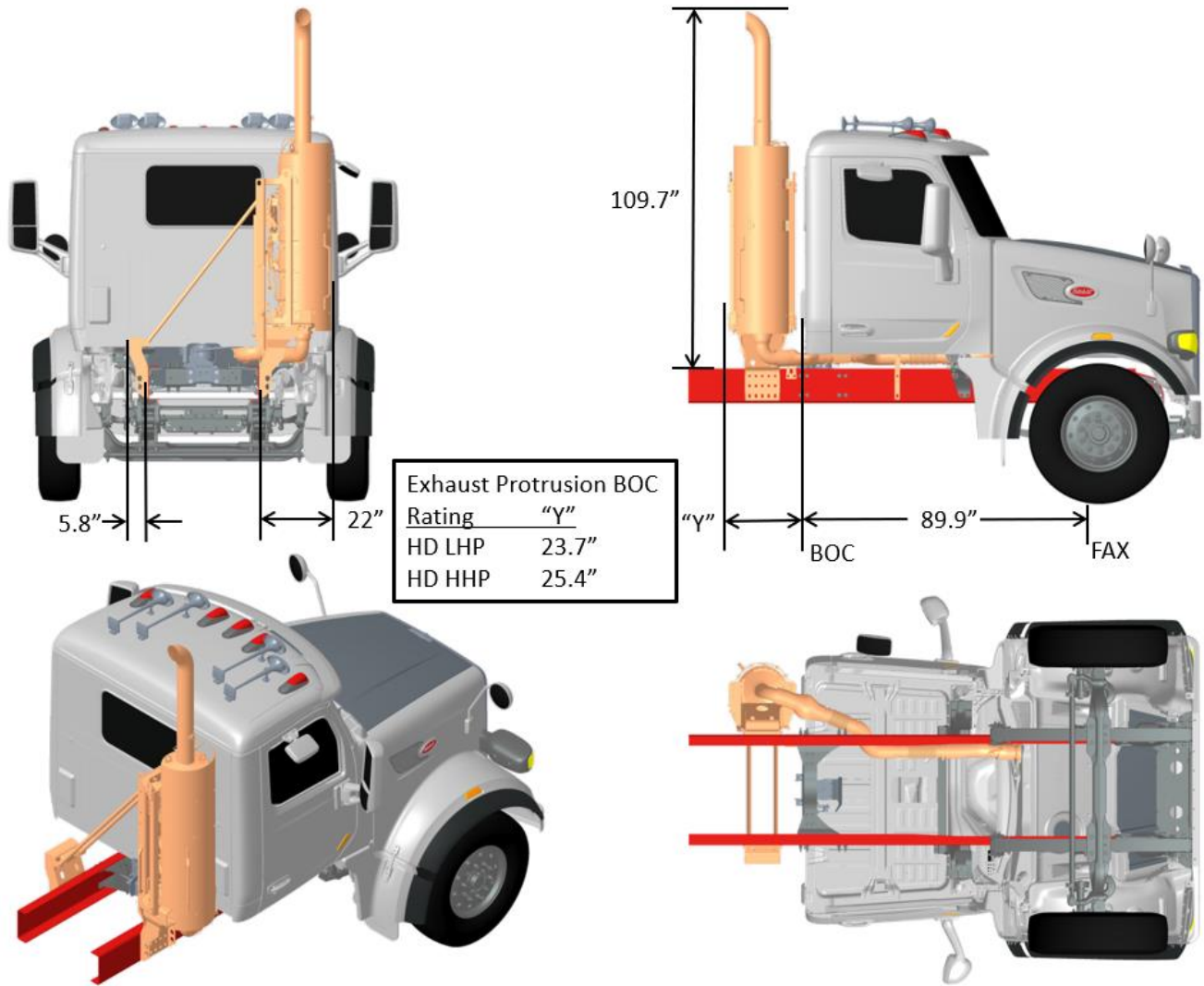


FIGURE 3-95. Exhaust Single RH BOC Vertical DPF/SCR

MODEL 579-118 SBFA EXHAUST SINGLE RH BACK OF CAB DPF/SCR RH UNDER CAB
 2021 EMISSIONS
 (Reference option code 3365250)

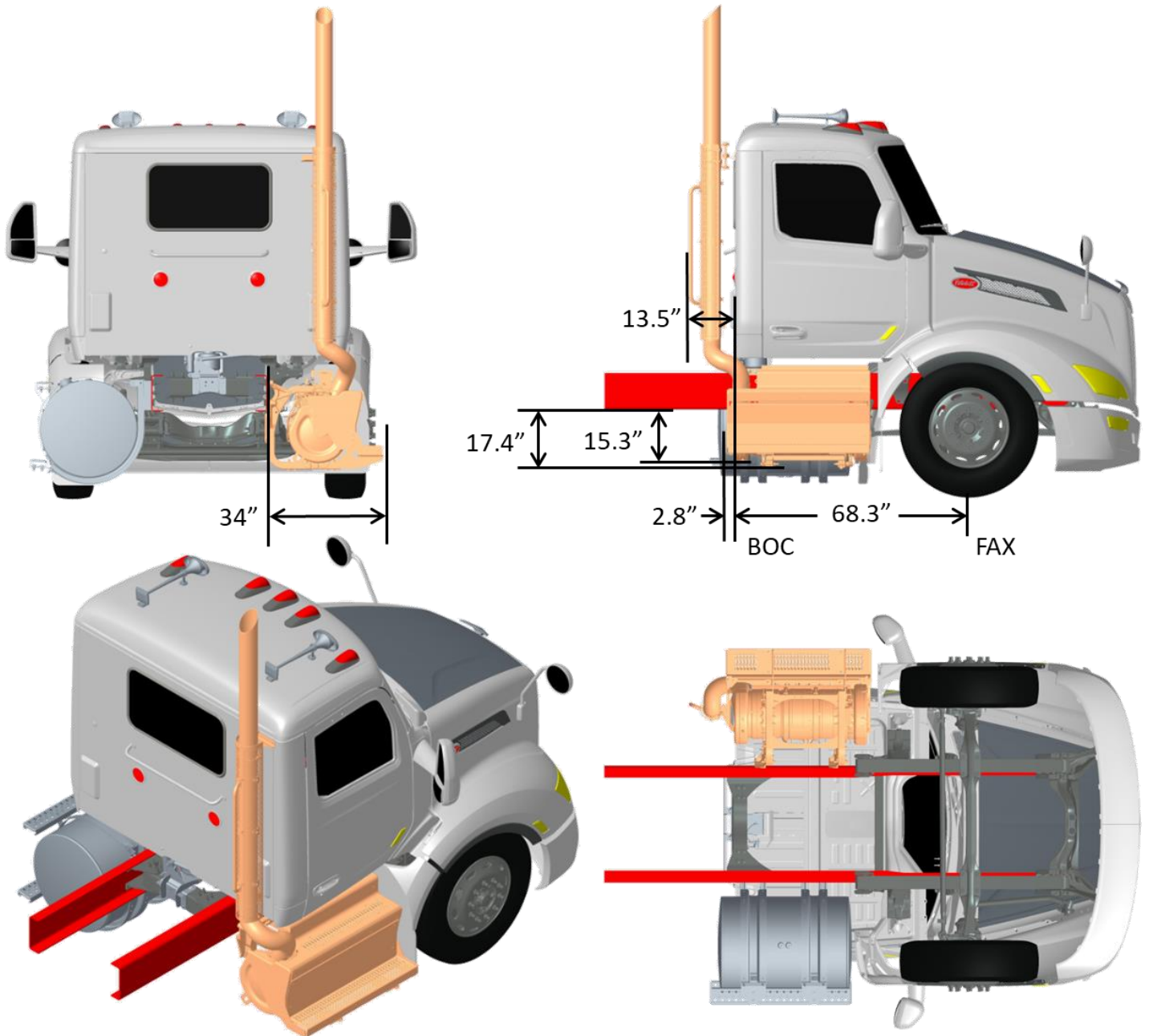


FIGURE 3-96. Exhaust Single RH Back of Cab DPF/SCR RH Under Cab

MODEL 579-118 SBFA EXHAUST SINGLE RH SIDE OF CAB DPF/SCR RH UNDER CAB
 2021 EMISSIONS
 (Reference option code 3365270)

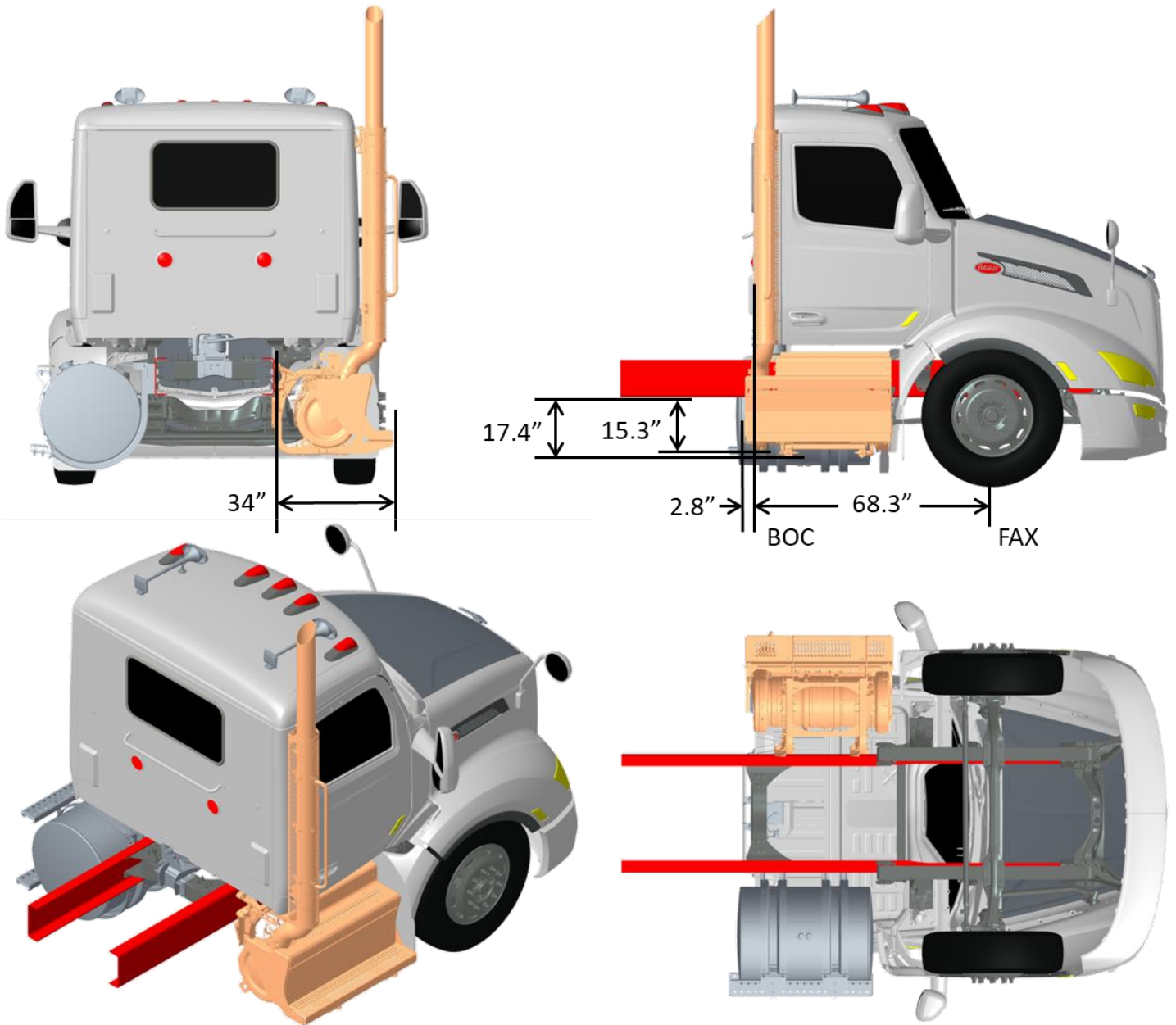


FIGURE 3-97. Exhaust Single RH Side of Cab DPF/SCR RH Under Cab

MODEL 579-118 SBFA EXHAUST SINGLE RH HORIZONTAL DPF/SCR RH UNDER CAB
 2021 EMISSIONS
 (Reference option code 3365280)

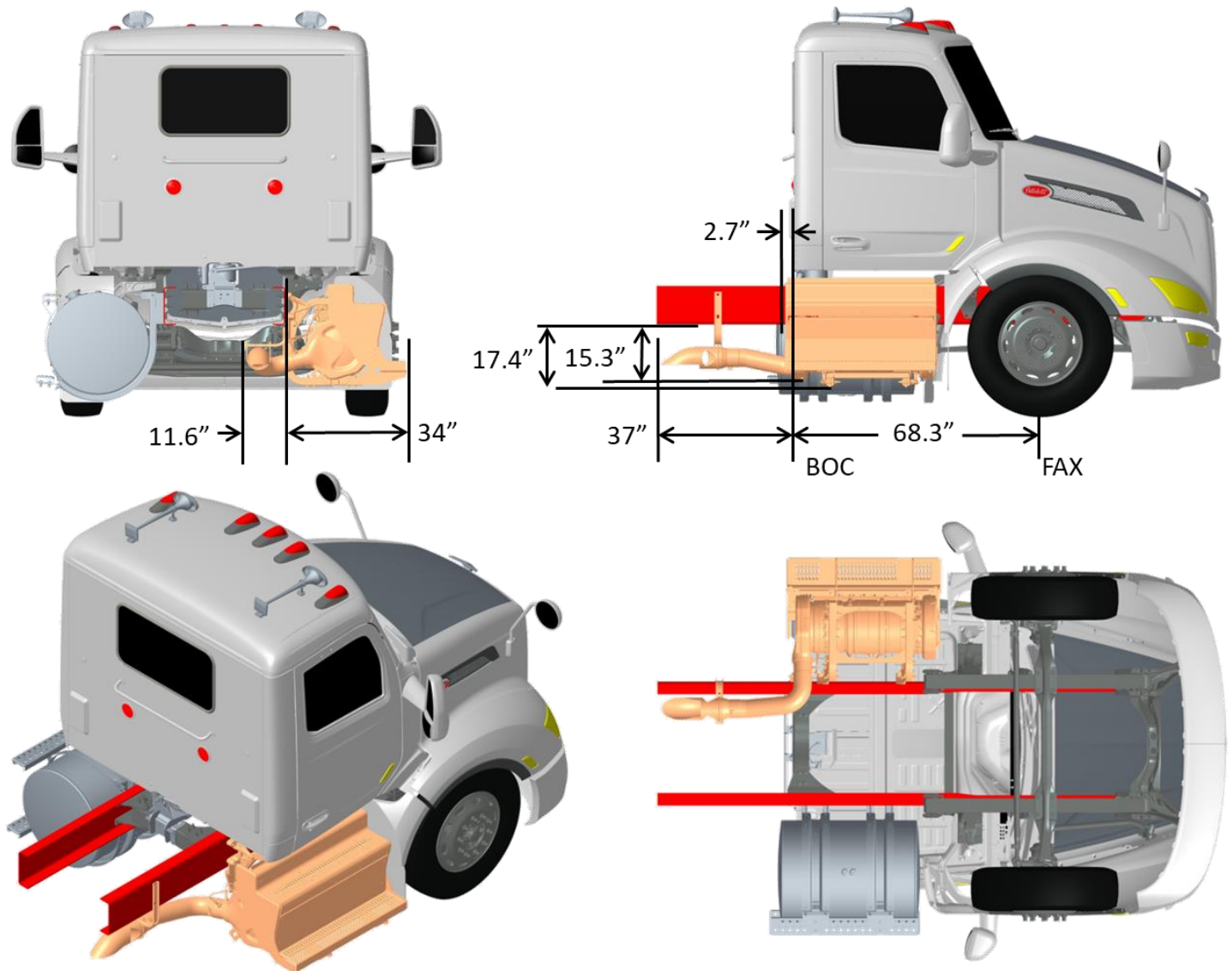


FIGURE 3-98. Exhaust Single RH Horizontal DPF/SCR RH Under Cab

MODEL 579-118 SBFA EXHAUST SINGLE RH HORIZONTAL DPF/SCR RH UNDER FRAME
2021 EMISSIONS
(Reference option code 3365290)

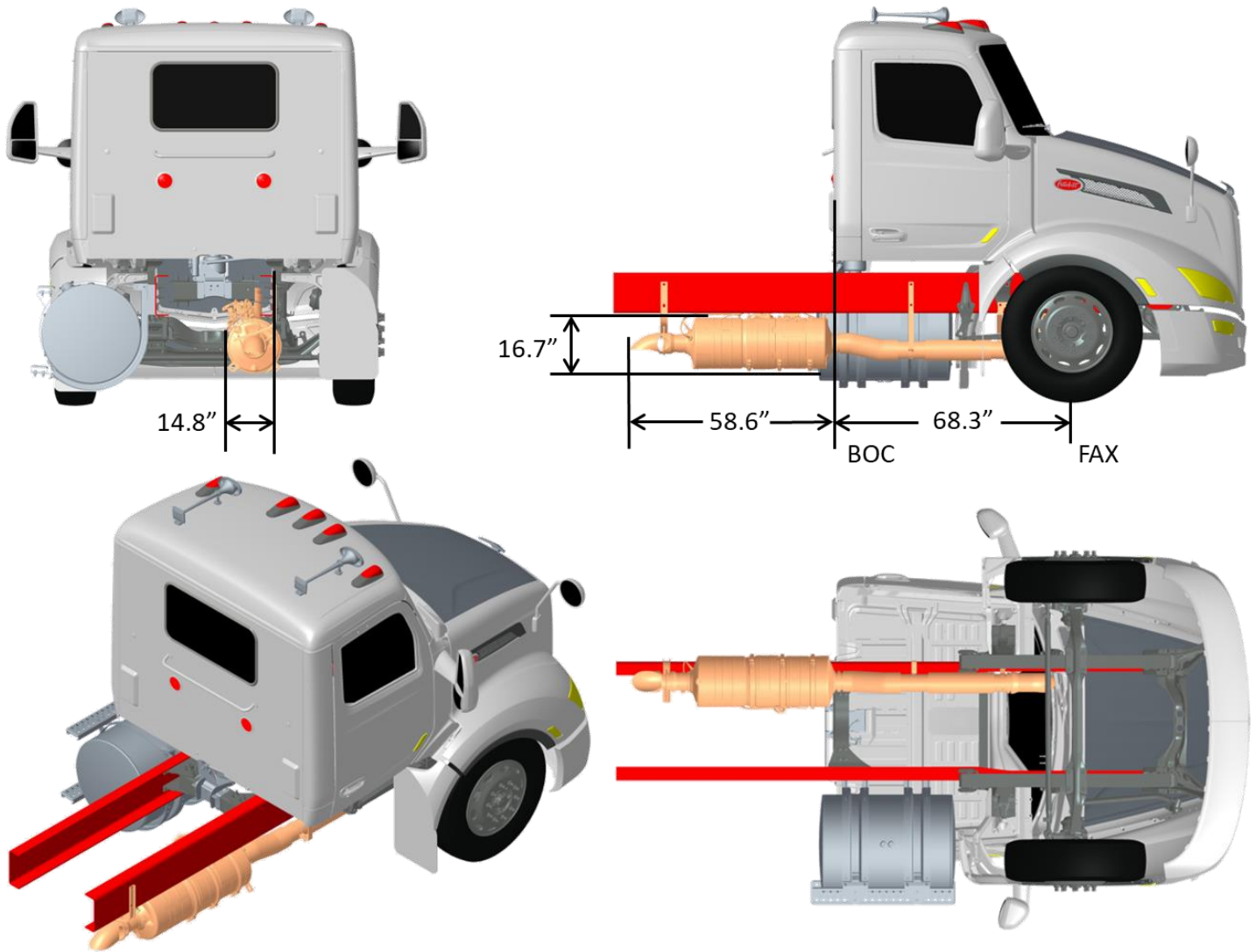


FIGURE 3-99. Exhaust Single RH Horizontal DPF/SCR RH Under Frame

MODEL 579-118 SBFA EXHAUST DUAL SOC DPF/SCR RH UNDER CAB
2021 EMISSIONS
 (Reference option code **3365340**)

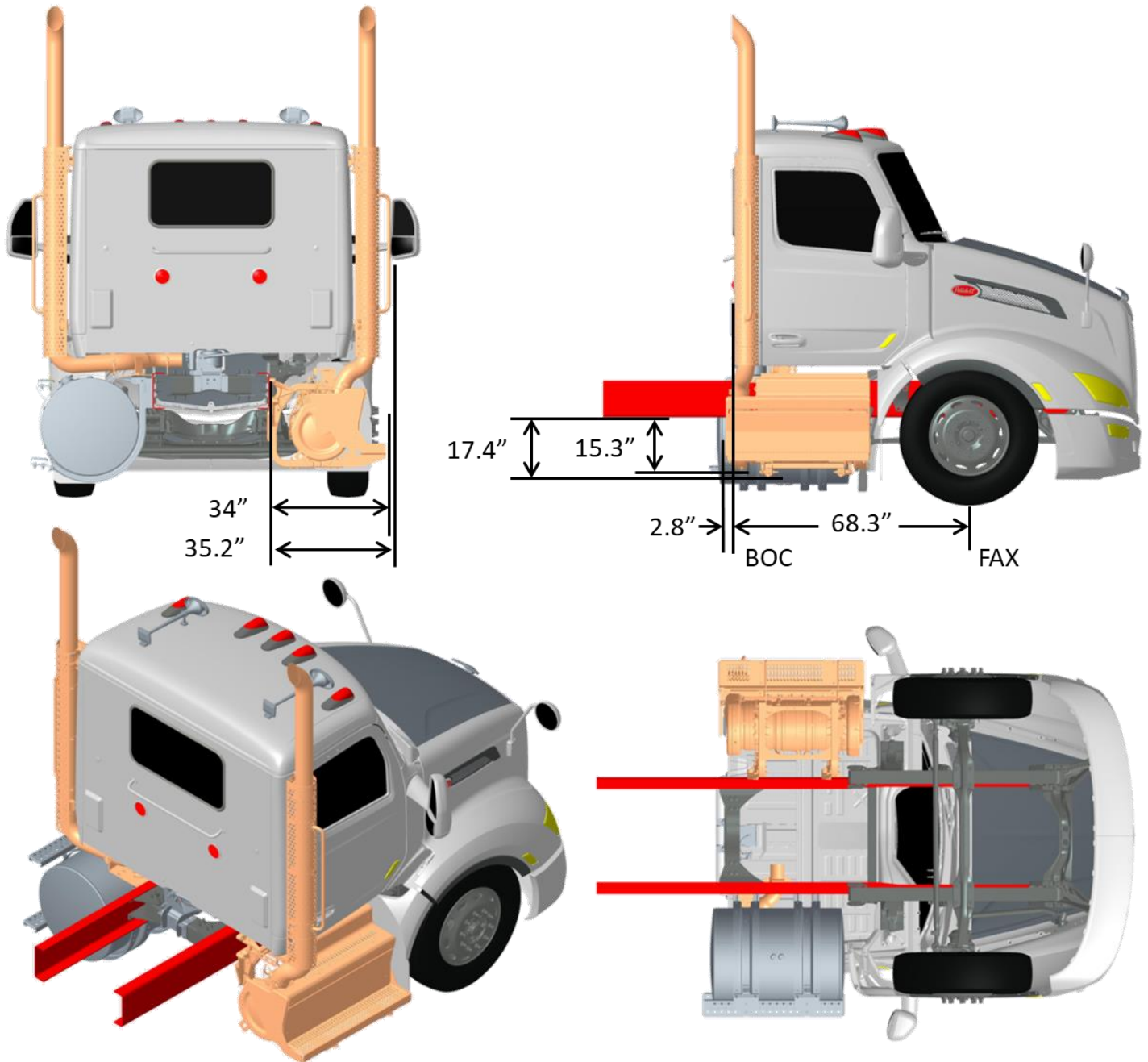


FIGURE 3-100. Exhaust Dual SOC DPF/SCR RH Under Cab

MODEL 579-118 SBFA EXHAUST SINGLE RH BOC VERTICAL DPF/SCR
 2021 EMISSIONS
 (Reference option code 3365340)

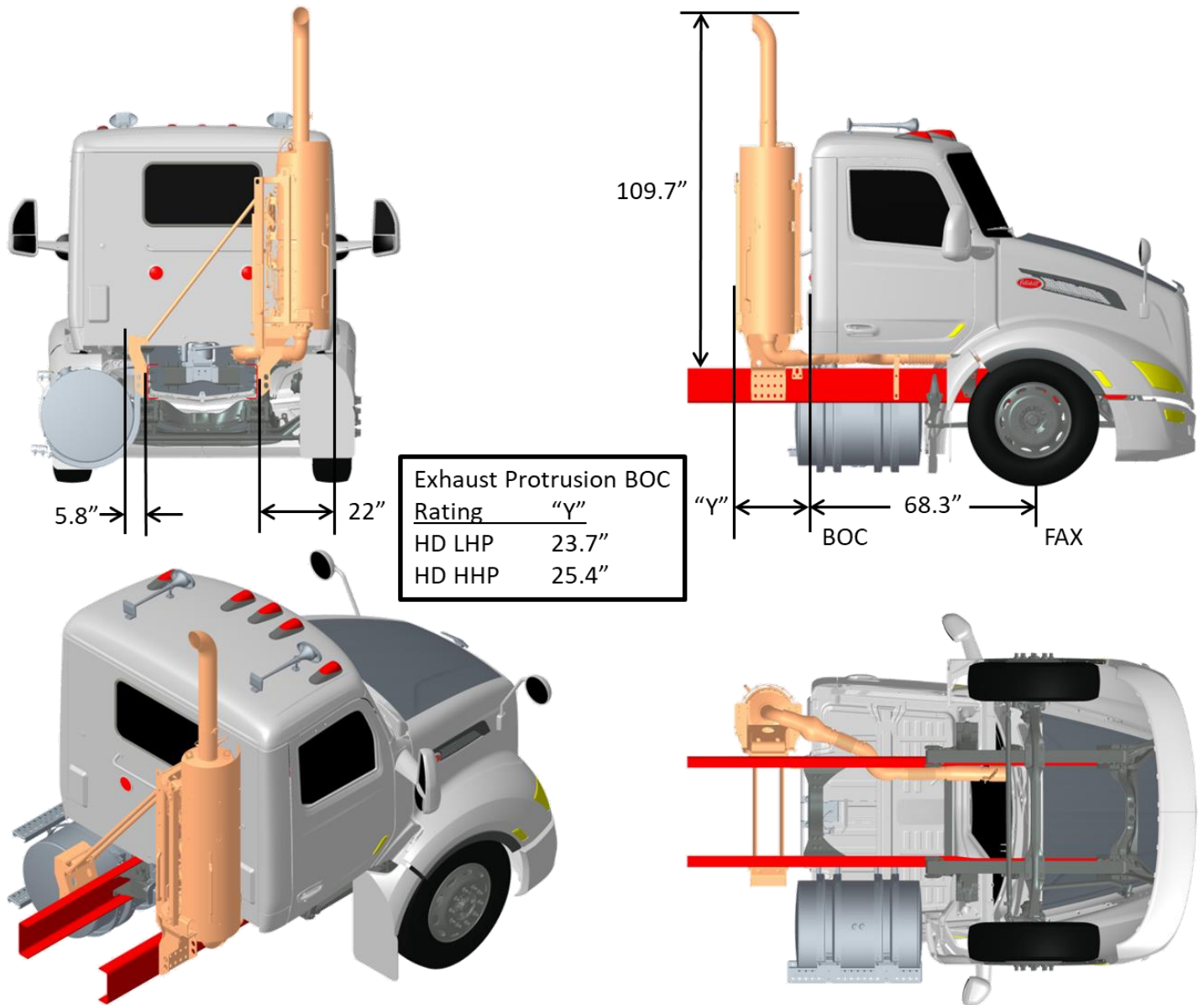


FIGURE 3-100. Exhaust Single RH BOC Vertical DPF/SCR

MODEL 579-124 SBFA EXHAUST SINGLE RH BACK OF CAB DPF/SCR RH UNDER CAB
 2021 EMISSIONS
 (Reference option code 3365250)

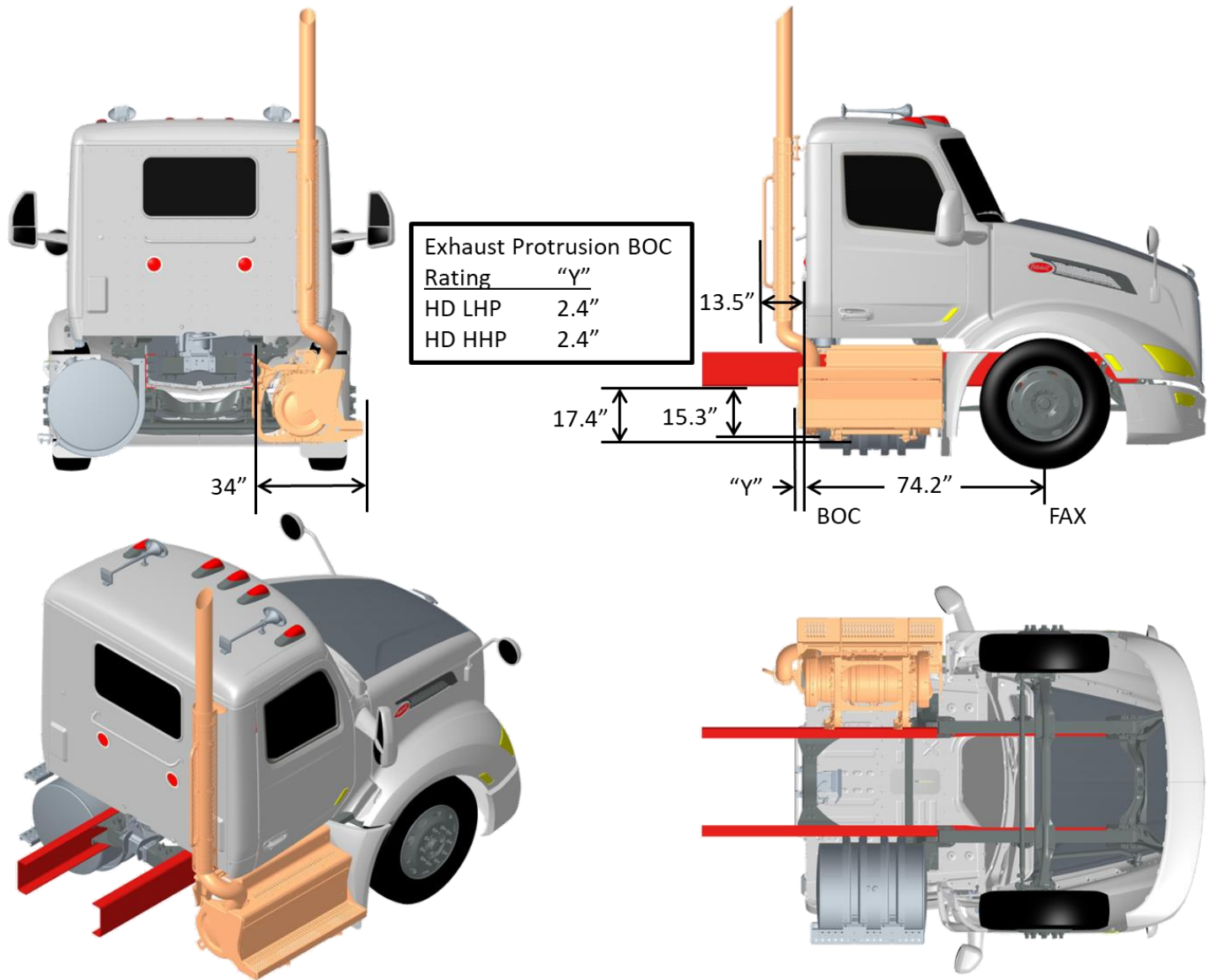


FIGURE 3-101. Exhaust Single RH Back of Cab DPF/SCR RH Under Cab

MODEL 579-124 SBFA EXHAUST SINGLE RH SIDE OF CAB DPF/SCR RH UNDER CAB
 2021 EMISSIONS
 (Reference option code 3365270)

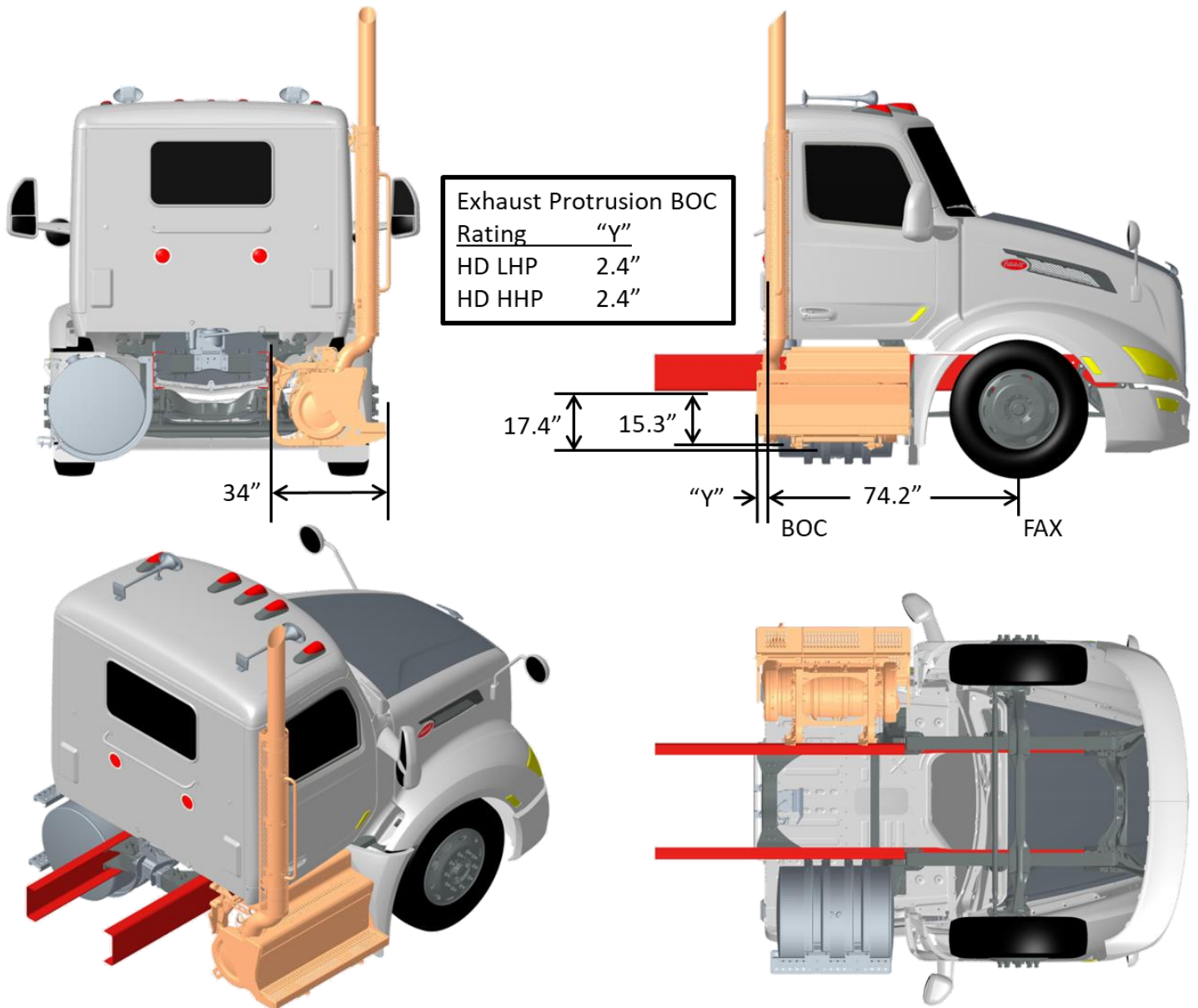


FIGURE 3-102. Exhaust Single RH Side of Cab DPF/SCR RH Under Cab

MODEL 579-124 SBFA EXHAUST SINGLE RH HORIZONTAL DPF/SCR RH UNDER CAB
 2021 EMISSIONS
 (Reference option code 3365280)

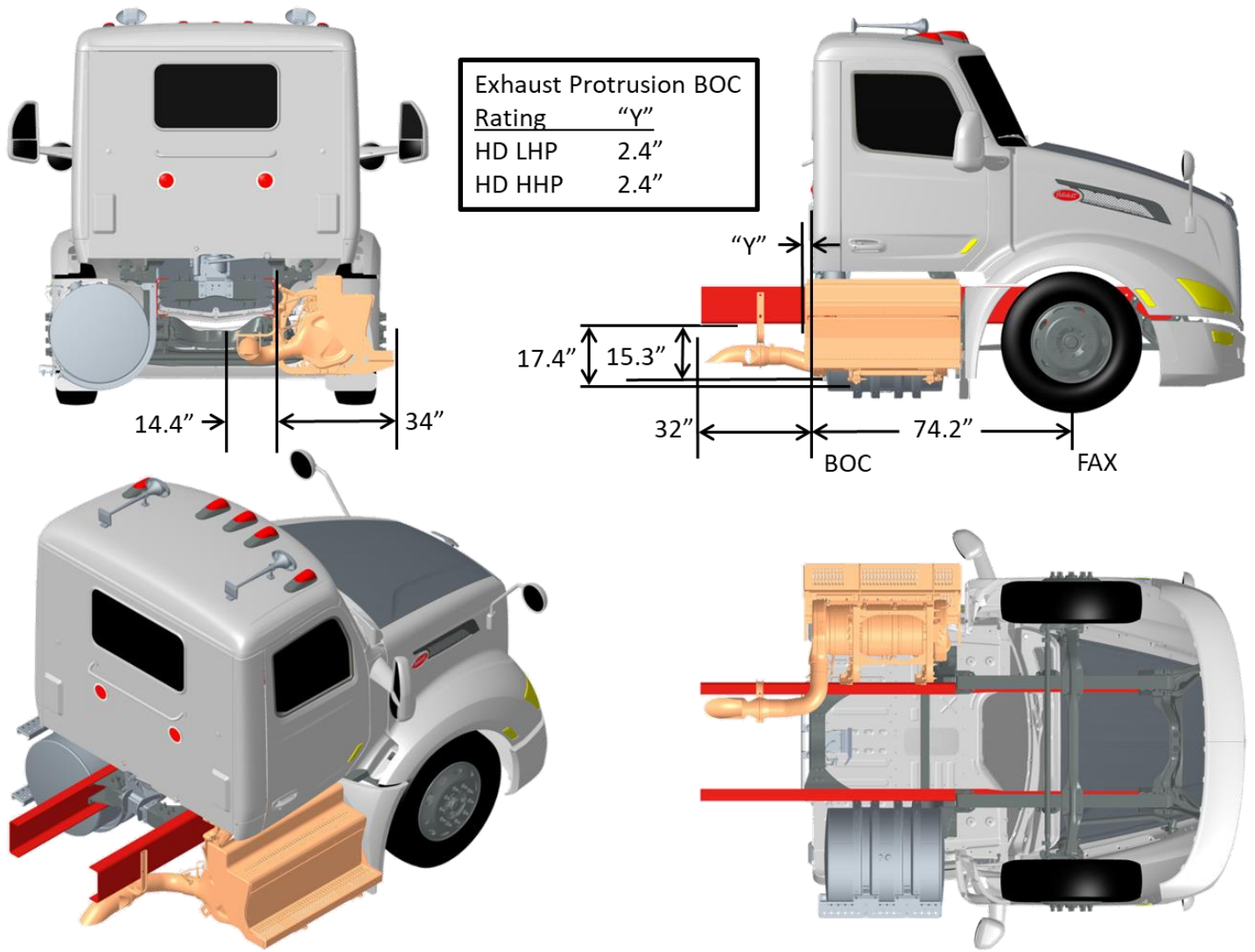


FIGURE 3-103. Exhaust Single RH Horizontal DPF/SCR RH Under Cab

MODEL 579-124 SBFA EXHAUST SINGLE RH HORIZONTAL DPF/SCR RH UNDER FRAME
 2021 EMISSIONS
 (Reference option code 3365290)

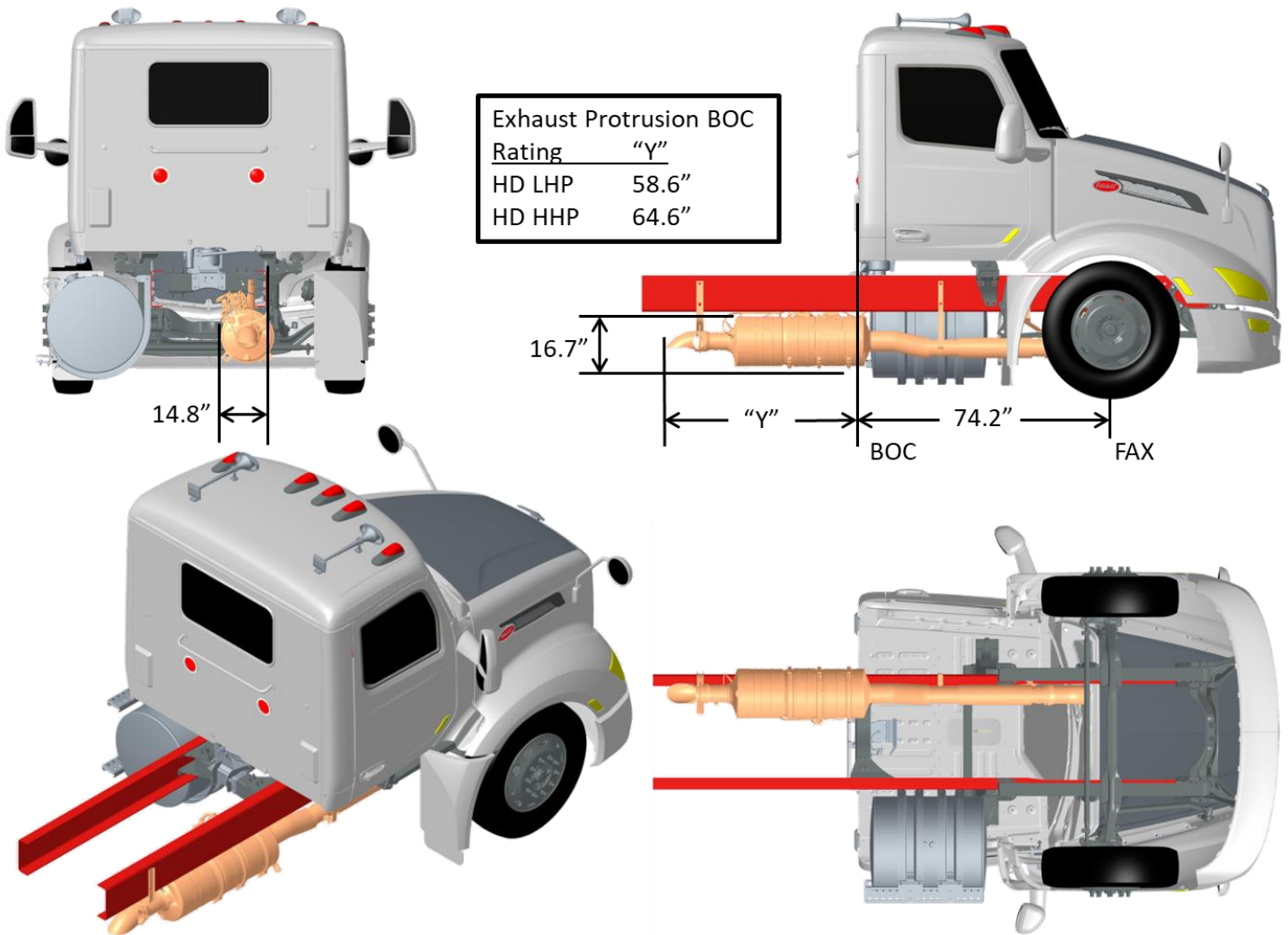


FIGURE 3-104. Exhaust Single RH Horizontal DPF/SCR RH Under Frame

MODEL 579-124 SBFA EXHAUST SINGLE RH BOC VERTICAL DPF/SCR
 2021 EMISSIONS
 (Reference option code 3365340)

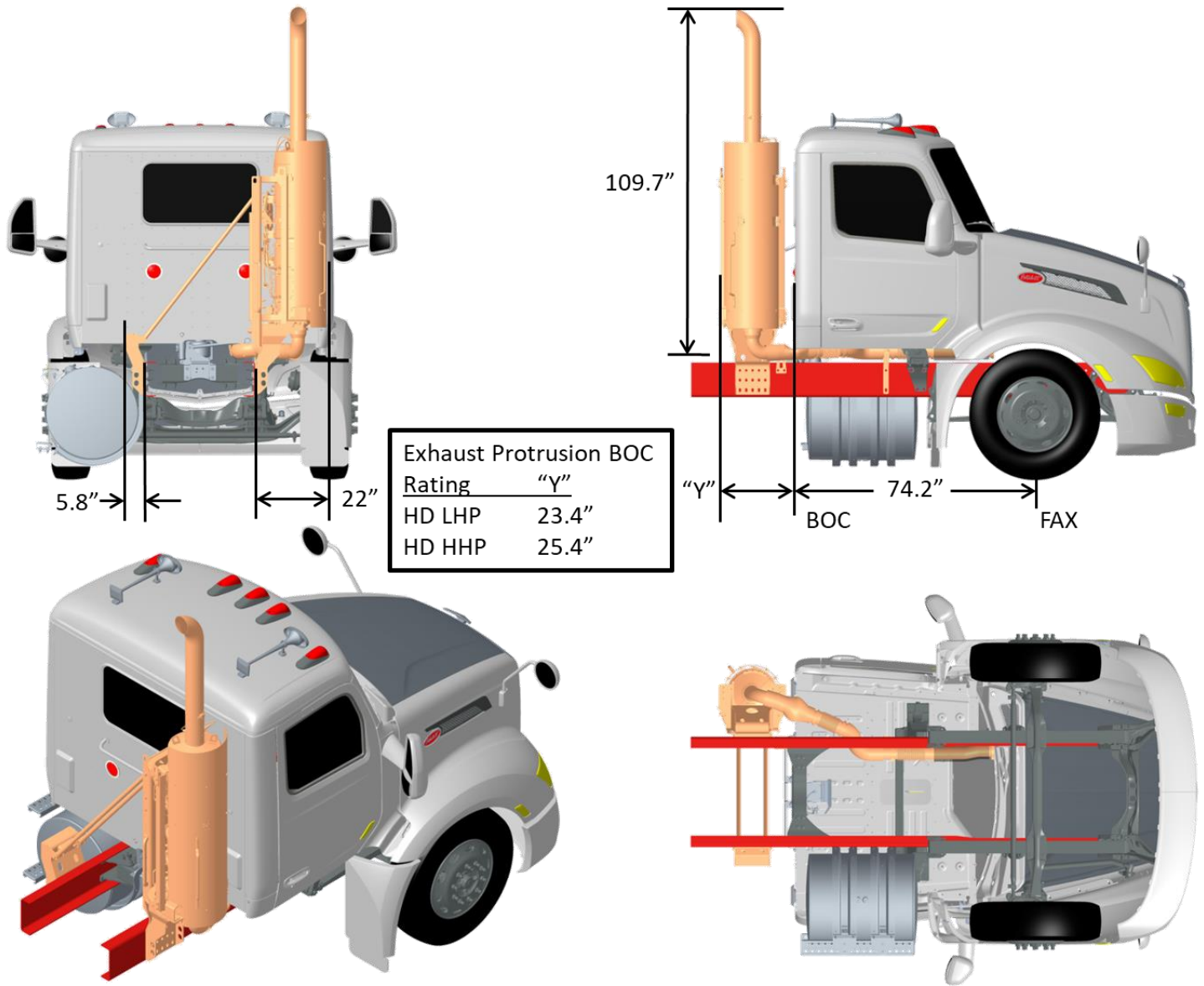


FIGURE 3-105. Exhaust Single RH BOC Vertical DPF/SCR

SECTION 4 BODY MOUNTING

INTRODUCTION

This section has been designed to provide guidelines to aid in body mounting. This is not intended as a complete guide, rather as general information. Body mounting strategies are unique to each body type and body builder must determine the appropriate method. Please note, an alignment adjustment is required after body installation. Front alignment and rear alignment must be performed prior to putting the vehicle into service.

Please contact your local Peterbilt dealer if more information is desired.

FRAME RAILS

Frame rail information is provided per rail.

TABLE 4-1. Single Frame Rails

Rail Height (in.)	Flange Width (in.)	Web Thickness (in)	Section Modulus (cu. In.)	RBM (per rail) (in.-lbs)	Weight (per rail) (lbs/in.)
10 5/8	3.45	0.313	14.8	1,776,000	1.44
10 3/4	3.50	0.375	17.8	2,136,000	1.74
10 11/16	3.50	0.500	22.35	2,683,000	2.35
11 5/8	3.875	0.375	21.4	2,568,000	1.91
13 3/8 ⁽¹⁾	3.625	0.375	18.2 25.1	2,184,000 3,012,000	1.78 2.05

⁽¹⁾The 13 3/8 rail has a front rail height of 10 3/4. The front rail height values are listed on top of the 13 3/8 values.

TABLE 4-2. Built-up Frame Rails

Main Rail Height (in.)	Insert	Outsert	Section Modulus (cu. In.)	RBM (per rail) (in.-lbs)	Weight (per rail) (lbs/in.)
10 5/8	9.875 x 2.87 x .250	None	23.6	2,832,000	2.48
10 3/4	9.875 x 2.87 x .250	None	28.9	3,468,000	2.78
10 3/4	9.875 x 2.87 x .250	11.625 x 3.87 x .375	45.7	5,484,000	4.67
11 5/8	10.75 x 3.50 x .375	None	37.7	4,524,000	3.65

CRITICAL CLEARANCES

REAR TIRES AND CAB



CAUTION: *Insufficient clearance between rear tires and body structure could cause damage to the body during suspension movement.*

Normal suspension movement could cause contact between the tires and the body. To prevent this, mount the body so that the minimum clearance between the top of the tire and the bottom of the body is 8 inches (203 mm). This should be measured with the body empty. See **FIGURE 4-1**.

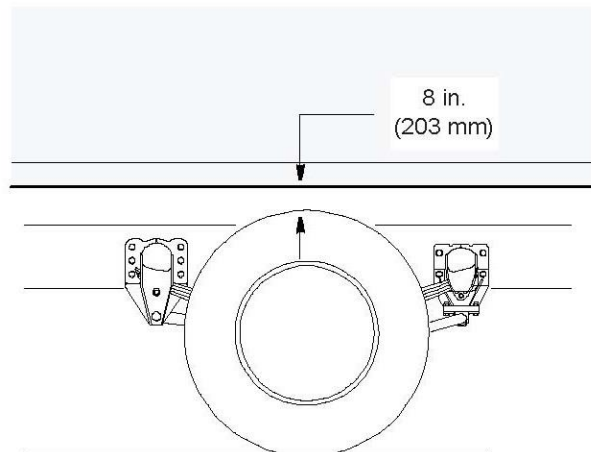


FIGURE 4-1. Minimum Clearance Between Top of Rear Tires and Body Structure Overhang



CAUTION: *Maintain adequate clearance between back of cab and the front (leading edge) of mounted body. It is recommended the body leading edge be mounted 4 in. behind the cab. See **FIGURE 4-2**.*



NOTE: *Be sure to provide maintenance access to the battery box and fuel tank fill neck.*

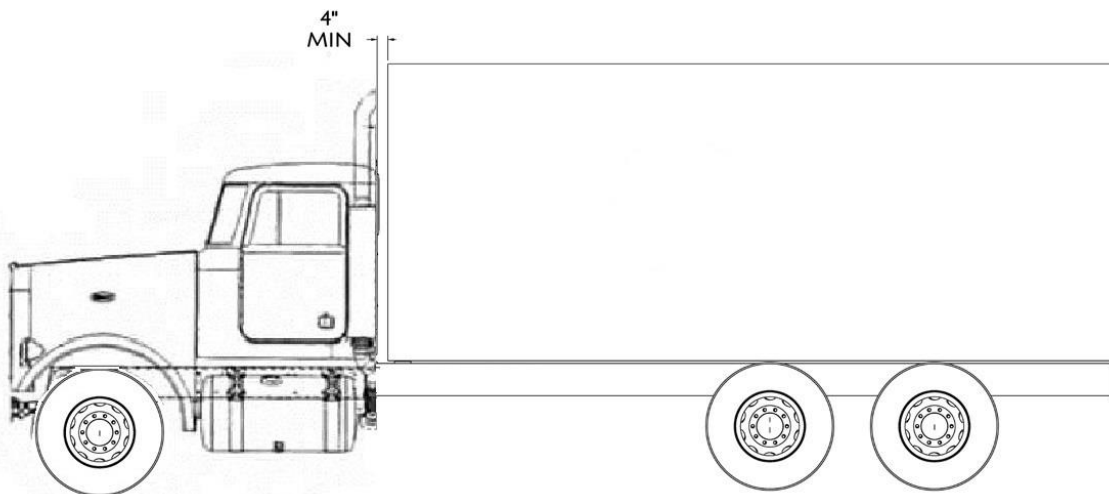


FIGURE 4-2. Minimum Back of Cab Clearance

BODY MOUNTING USING BRACKETS



CAUTION: Always install a spacer between the body subframe and the top flange of the frame rail. Installation of a spacer between the body subframe and the top flange of the frame rail will help prevent premature wear of the components due to chafing or corrosion.



WARNING! When mounting a body to the chassis, DO NOT drill holes in the upper or lower flange of the frame rail. If the frame rail flanges are modified or damaged, the rail could fail prematurely and cause an accident. Mount the body using body mounting brackets or U-bolts.

FRAME SILL

If the body is mounted to the frame with brackets, we recommend a frame sill spacer made from a strip of rubber or plastic (delrin or nylon). These materials will not undergo large dimensional changes during periods of high or low humidity. The strip will be less likely to fall out during extreme relative motion between body and chassis. See **FIGURE 4-3**.

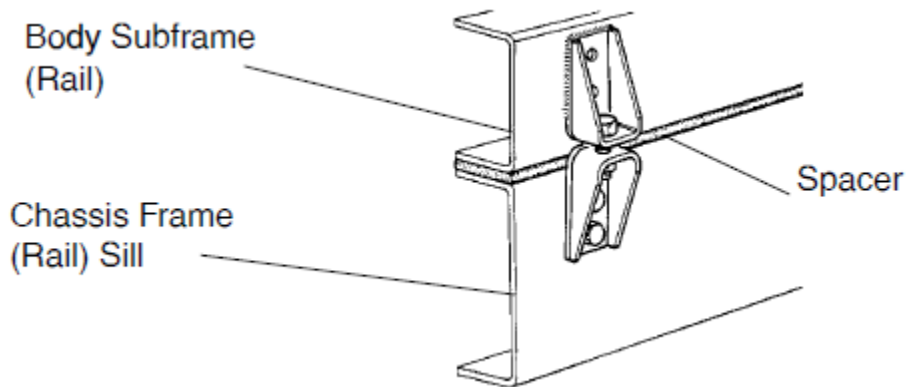


FIGURE 4-3. Spacer Between Frame Sill and Body Rail – Rubber or Plastic

BRACKETS

When mounting a body to the chassis with brackets, we recommend designs that offer limited relative movement, bolted securely but not too rigid. Brackets should allow for slight movement between the body and the chassis. For instance, **FIGURE 4-4** shows a high compression spring between the bolt and the bracket, and **FIGURE 4-5** shows a rubber spacer between the brackets. These designs will allow relative movement between the body and the chassis during extreme frame racking situations. Mountings that are too rigid could cause damage to the body. This is particularly true with tanker installations.

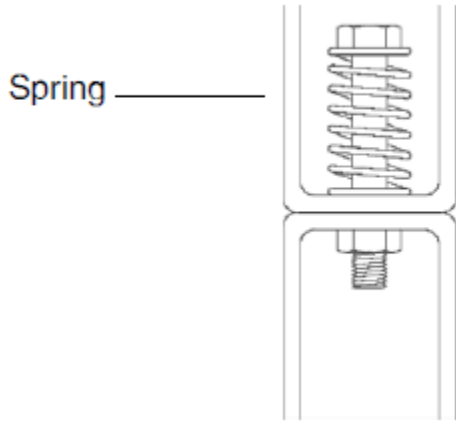


FIGURE 4-4. Mounting Brackets

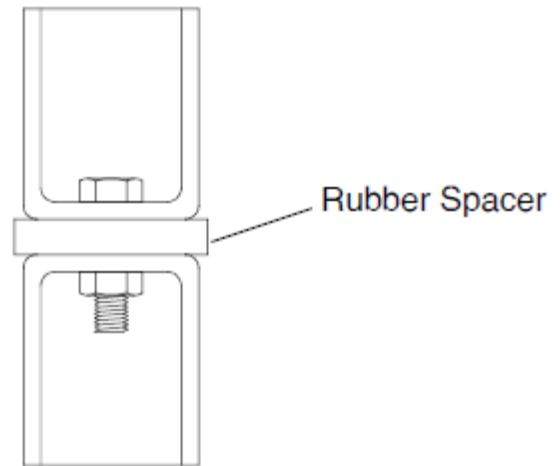


FIGURE 4-5. Mounting Brackets

MOUNTING HOLES

When installing brackets on the frame rails, the mounting holes in the chassis frame bracket and frame rail must comply with the general spacing and location guidelines illustrated in **FIGURE 4-6**.

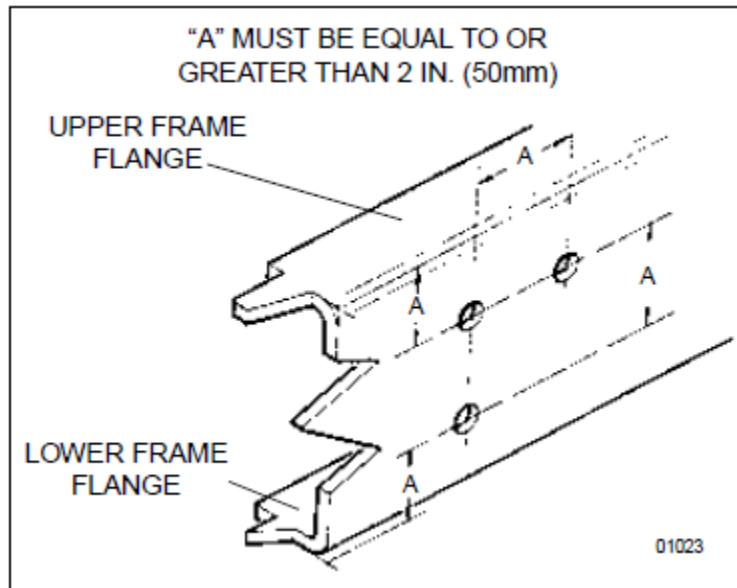


FIGURE 4-6. Hole Location Guidelines for Frame Rail and Bracket

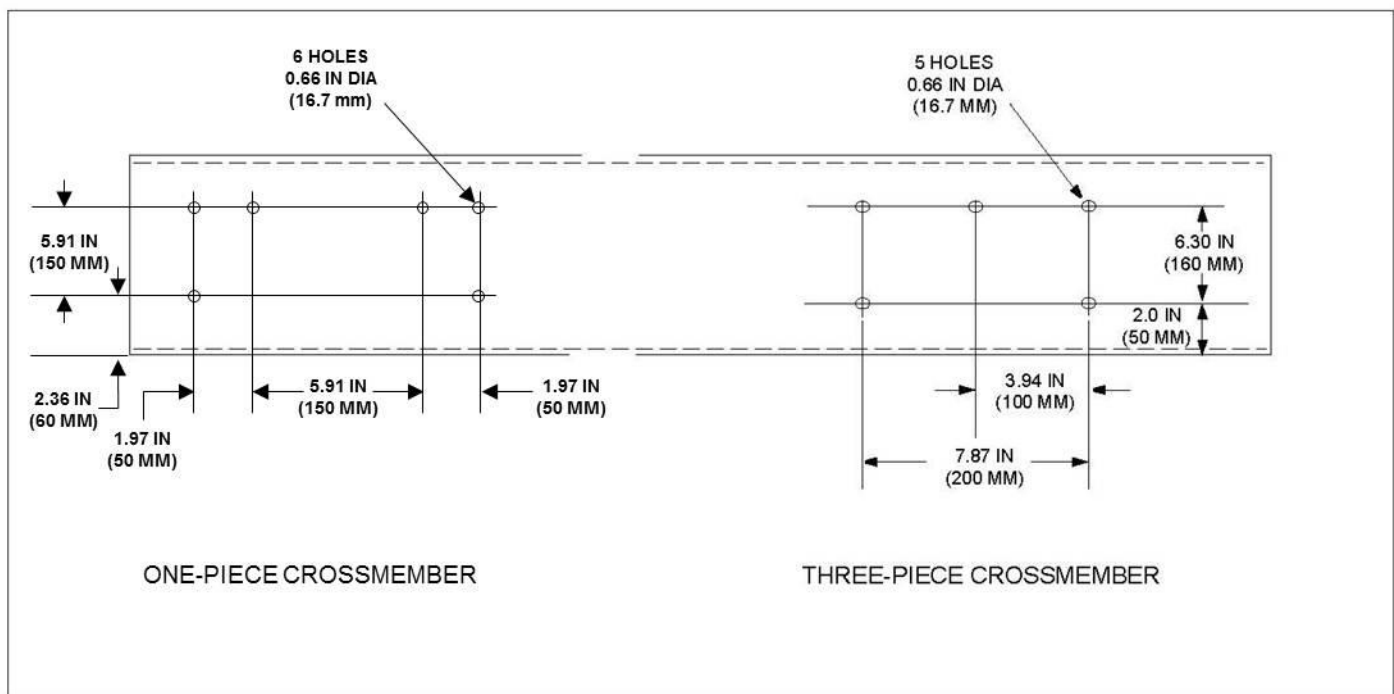


FIGURE 4-7. Crossmember Gusset Hole Patterns (Additional Holes Available in 50 mm Horizontal Increments)

FRAME DRILLING



WARNING! *When mounting a body to the chassis, DO NOT drill holes in the upper or lower flange of the frame rail. If the frame rail flanges are modified or damaged, the rail could fail prematurely and cause an accident. Mount the body using body mounting brackets or U-bolts.*

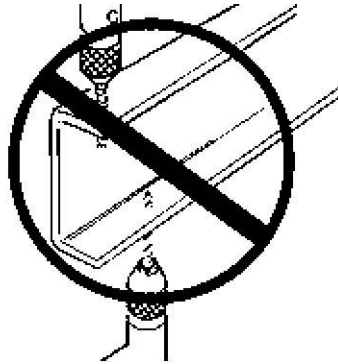


FIGURE 4-8. Frame Rail Flange Drilling Prohibited



WARNING! *DO NOT drill closely spaced holes in the frame rail. Hole centers of two adjacent holes should be spaced no less than twice the diameter of the largest hole. Closer spacing could induce a failure between the two holes.*



CAUTION: *An appropriately sized bolt and nut must be installed and torqued properly in all unused frame holes. Failure to do so could result in a frame crack initiation around the hole.*



CAUTION: *Use care when drilling the frame web so the wires and air lines routed inside the rail are not damaged. Failure to do so could cause an inoperable electrical or air system circuit.*



CAUTION: *Never use a torch to make holes in the rail. Use the appropriate diameter drill bit. Heat from a torch will affect the material properties of the frame rail and could result in frame rail cracks.*



CAUTION: *The hole diameter should not exceed the bolt diameter by more than .060 inches (1.5mm).*

BODY MOUNTING USING U-BOLTS

If the body is mounted to the frame with U-bolts, use a hardwood sill (minimum 1/2 inch (12.7 mm) thick) between the frame rail and body frame to protect the top surface of the rail flange.



WARNING! Do not allow the frame rails or flanges to deform when tightening the U-bolts. It will weaken the frame and could cause an accident. Use suitable spacers made of steel or hardwood on the inside of the frame rail to prevent collapse of the frame flanges.

Use a hardwood spacer between the bottom flange and the U-bolt to prevent the U-bolt from notching the frame flange. See **FIGURE 4-9**.

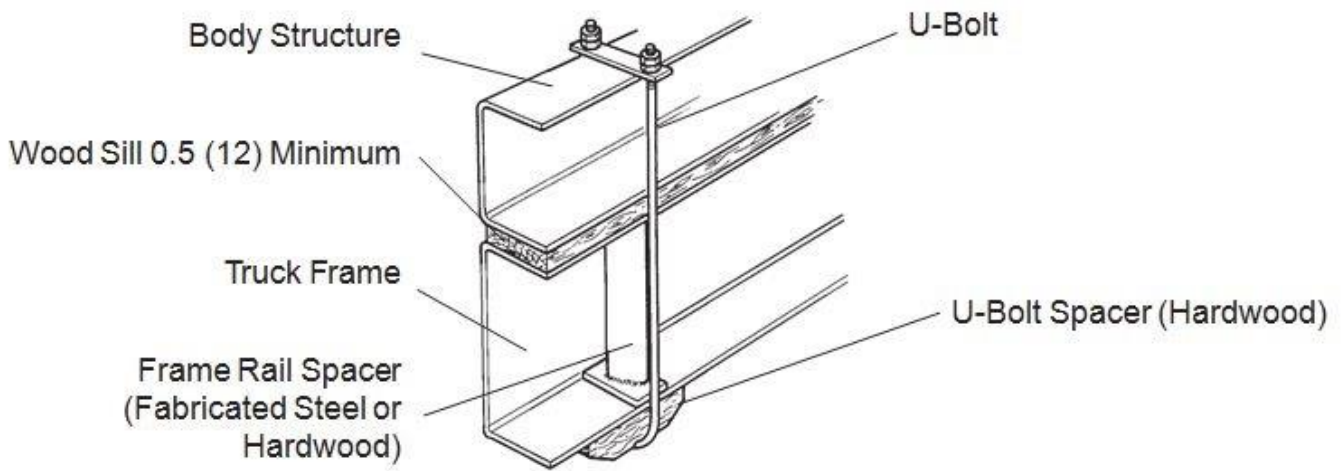


FIGURE 4-9. Acceptable U-Bolt Mounting with Wood and Fabricated Spacers



WARNING! Do not allow spacers and other body mounting parts to interfere with brake lines, fuel lines, or wiring harnesses routed inside the frame rail. Crimped or damaged brake lines, fuel lines, or wiring could result in loss of braking, fuel leaks, electrical overload or a fire. Carefully inspect the installation to ensure adequate clearances for air brake lines, fuel lines, and wiring. See **FIGURE 4-10**.

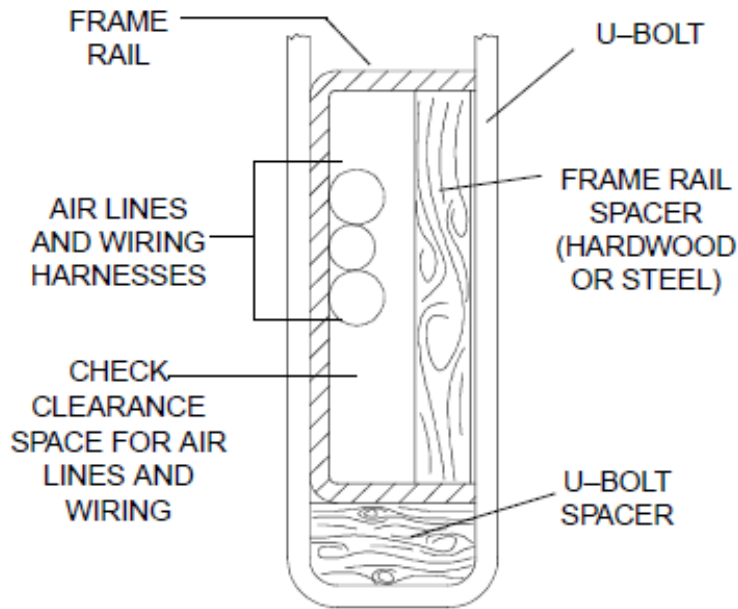


FIGURE 4-10. Clearance Space for Air Lines and Cables



WARNING! Do not notch frame rail flanges to force a U-bolt fit. Notched or damaged frame flanges could result in premature frame failure. Use a larger size U-bolt.



CAUTION: Mount U-bolts so they do not chafe on frame rail, air or electric lines.

REAR BODY MOUNT

When U-bolts are used to mount a body we recommend that the last body attachment be made with a “fishplate” bracket. See **FIGURE 4-11**. This provides a firm attaching point and helps prevent any relative fore or aft movement between the body and frame. For hole location guidelines, See **FIGURE 4-7**.

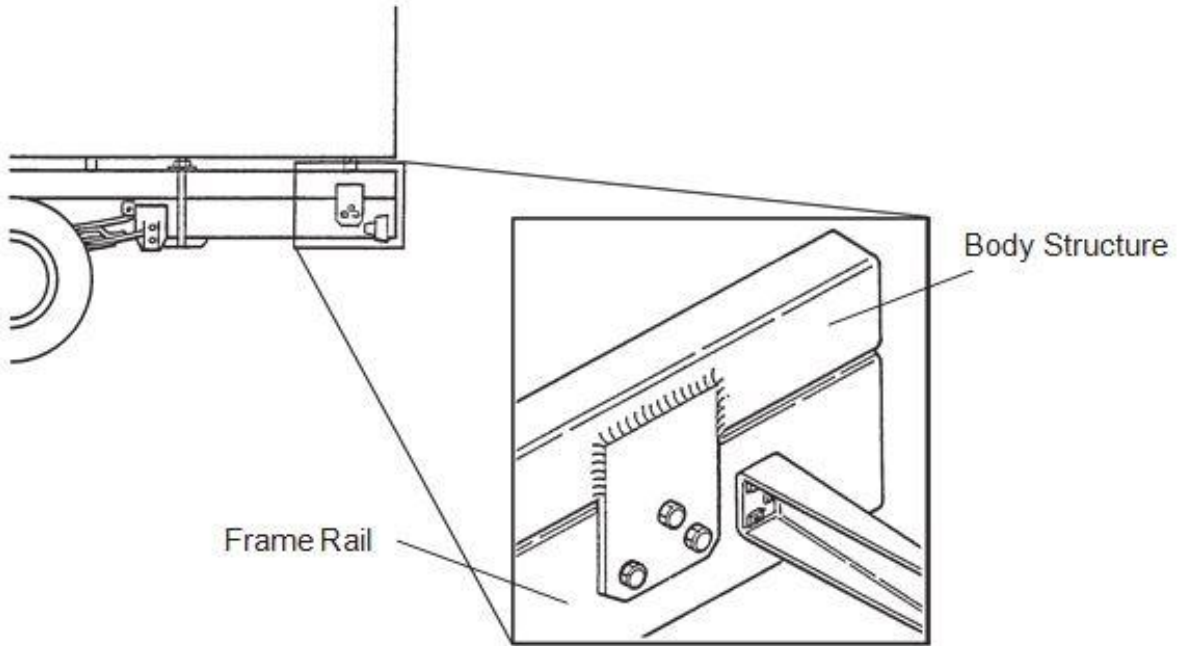


FIGURE 4-11. Fishplate Bracket at Rear End of Body

This page is intentionally left blank.

SECTION 5 FRAME MODIFICATIONS

INTRODUCTION

Peterbilt offers customer specified wheelbases and frame overhangs. So, in most cases frame modifications should not be necessary.

However, some body installations may require slight modifications, while other installations will require extensive modifications. Sometimes an existing dealer stock chassis may need to have the wheelbase changed to better fit a customer's application. The modifications may be as simple as modifying the frame cutoff, or as complex as modifying the wheelbase.

DRILLING RAILS

If frame holes need to be drilled in the rail, see SECTION 4 BODY MOUNTING for more information.

MODIFYING FRAME LENGTH

The frame overhang after the rear axle can be shortened to match a particular body length. Using a torch is acceptable; however, heat from a torch will affect the material characteristics of the frame rail. The affected material will normally be confined to within 1 to 2 inches (25 to 50mm) of the flame cut and may not adversely affect the strength of the chassis or body installation.

CHANGING WHEELBASE

Changing a chassis' wheelbase is not recommended. Occasionally, however, a chassis wheelbase will need to be shortened or lengthened. Before this is done there are a few guidelines that should be considered.



WARNING! When changing the wheelbase, be sure to follow the driveline manufacturer's recommendations for driveline length or angle changes. Incorrectly modified drivelines can fail prematurely due to excessive vibration. This can cause an accident and severe personal injury.

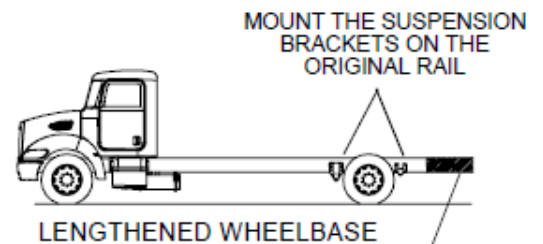


WARNING! When changing the wheelbase, contact your local Peterbilt dealership for support. It is important to verify that these changes do not compromise vehicle frame strength.

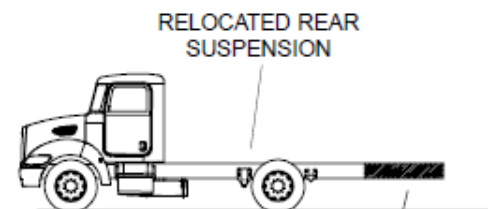
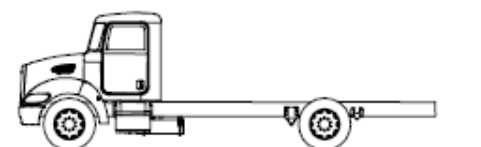
Before changing the wheelbase, the driveline angles of the proposed wheelbase need to be examined to ensure no harmful vibrations are created. Consult with the driveline manufacturer for appropriate recommendations.

Before the rear suspension is relocated, check the new location of the spring hanger brackets. The new holes for the spring hanger brackets must not overlap existing holes and should adhere to the guidelines in the "FRAME DRILLING" section of this manual.

When shortening the wheelbase, the suspension should be moved forward and relocated on the original rail. The rail behind the suspension can then be cut to achieve the desired frame overhang. See **FIGURE 5-1**.



DO NOT MOUNT THE SUSPENSION BRACKET ON THE ADDED FRAME RAIL



CUT FRAME AT REAR TO OBTAIN DESIRED CUTOFF

FIGURE 5-1. Wheelbase Customization

CROSSMEMBERS

After lengthening a wheelbase, an additional crossmember may be required to maintain the original frame strength. The maximum allowable distance between the forward suspension crossmember and the next crossmember forward is 47.2 inches (1200 mm). If the distance exceeds 47.2 inches (1200 mm) after the wheelbase is lengthened, add a crossmember between them.

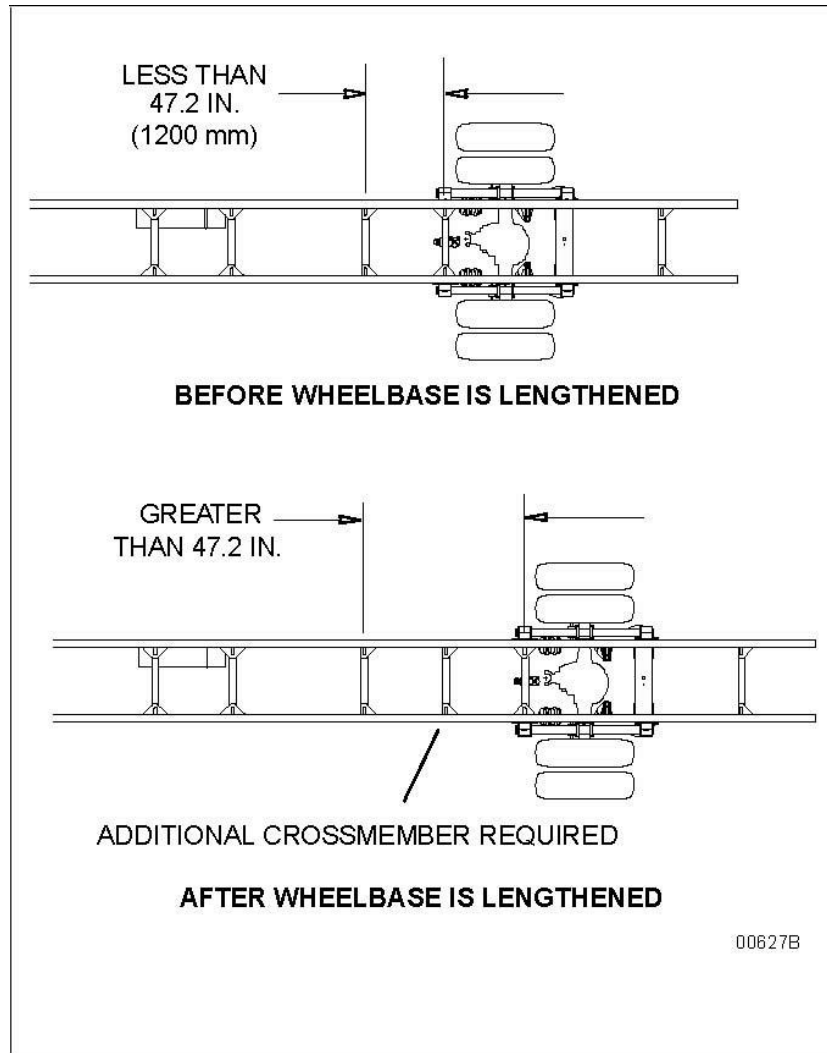


FIGURE 5-2. Crossmember Spacing Requirements

TORQUE REQUIREMENTS

Torque values apply to fasteners with clean threads, lightly lubricated, with hardened steel washers, and nylon-insert nuts.

TABLE 5-1. Customary Grade 8 UNF or UNC.

Fastener Size	Torque	
	Nm	lb-ft
5/16	22–30	16–22
3/8	41–54	30–40
7/16	75–88	55–65
1/2	109–122	80–90
9/16	156–190	115–140
5/8	224–265	165–195
3/4	394–462	290–340
7/8	517–626	380–460
1	952–1129	800–830
1-1/8	1346–1591	990–1170
1-1/4	1877–2217	1380–1630

TABLE 5-2. U.S. Customary - Grade 8 Metric Class 10.9

Fastener Size	Torque	
	Nm	lb-ft
M6	9–15	7–11
M8	23–31	17–23
M10	33–43	24–32
M12	75–101	55–75
M14	134–164	99–121
M16	163–217	120–160
M20	352–460	260–340

WELDING

The frame rails are heat treated and should not be welded. The high heat of welding nullifies the special heat treatment of the rails, greatly reducing the tensile strength of the frame rail. If a frame member becomes cracked from overloading, fatigue, surface damage or a collision, the only permanent repair is to replace the damaged frame member with a new part.

The following information is provided (for temporary emergency repair). Prior to welding a cracked frame rail, the area should be beveled (V'd out) to allow for a better weld. To prevent spreading of the crack, a 7 to 9 mm (1/4 in. to 3/8 in.) diameter hole should be drilled at the end of the crack. Widen the crack along its full length by using two hack saw blades together. When welding steel frames use the shielded arc method. When welding aluminum frames use either the tungsten inert gas (TIG) or consumable electrode method. Be sure to obtain full weld penetration along the entire length of the crack.

PRECAUTIONS**CAUTION:**

Before welding, disconnect the negative terminal battery cable.

CAUTION:

Before welding, disconnect the alternator terminals. Failure to do so could result in damage to the voltage regulator and/or alternator.

CAUTION:

To prevent damage to electrical equipment, disconnect battery cables before arc-welding on a truck, and be sure that the welding ground lead is connected to the frame. Bearings and other parts will be damaged if current must pass through them in order to complete the circuit.

WELDING PRECAUTIONS: ALL ELECTRONIC ENGINES

Before welding on vehicles with electronic engines, the following precautions should be observed.

1. Disconnect all electrical connections to the vehicle batteries.
2. Disconnect all ECM connectors.
3. Do not use the ECM or engine ground stud for the ground of the welding probe.
4. Ensure that the ground connection for the welder is as close to the weld point as possible. This ensures maximum weld current and minimum risk to damage electrical components on the vehicle.
5. Turn off key.

NOTE:

Bosch ABS and Wabco ABS: Disconnect ECU.

SECTION 6 CAN COMMUNICATIONS

INTRODUCTION

Controller Area Network (CAN) is a serial network technology that was originally designed for the automotive industry but has also become popular in the commercial trucking industry. The CAN bus is primarily used in the embedded systems and network technology that provides fast communication among controllers up to real-time requirements, eliminating the need for the much more expensive and complex technology.

CAN is a two-wire high-speed network system, that is far superior to conventional hardwired technologies functionality and reliability. CAN implementations are more cost effective. CAN is designed for real-time requirements which can easily beat hardwire connections when it comes to short reaction times, timely error detection, quick error recovery and error repair.

Characteristics of the Controller Area Network

- A serial networking technology for embedded solutions
- Needs only two wires to communicate messages
- Operates at data rates of 250K and 500K
- Supports a maximum of 8 bytes per message frame
- One application can support multiple message IDs
- Supports message priority, i.e. the lower the message ID the higher its priority

CAN COMMUNICATIONS ACRONYM LIBRARY

Acronym	Definition
CAN	Controller Area Network
J-1939	SAE CAN Communication Standard
PGN	Parameter Group Number
PTO	Power Take Off
SPN	Suspect Parameter Number
SCR	Selective Catalytic Reduction
DPF	Diesel Particulate Filter
TSC1	Torque Speed Commands

SAE J1939

The Society of Automotive Engineers (SAE) Communications Subcommittee for Truck and Bus Controls has developed a family of standards concerning the design and use of devices that transmit electronic signals and control information among vehicle components. SAE J1939 and its companion documents are the accepted industry standard for the vehicle network of choice for commercial truck applications. SAE J1939 is used in the commercial vehicle area for communication in the embedded systems of the commercial vehicle.

SAE J1939 uses CAN as physical layer. It is a recommended practice that defines which and how the data is communicated between the Electronic Control Units within a vehicle network. Typical controllers are the Engine, Brake, Transmission, etc. The messages exchanged between these units can be data such as vehicle road speed, torque control message from the transmission to the engine, oil temperature, and many more.

Characteristics of J1939

- Extended CAN identifier (29 bit)
- Peer-to-peer and broadcast communication
- Network management
- Definition of parameter groups for commercial vehicles and others
- Manufacturer specific parameter groups are supported
- Diagnostics features
- A standard developed by the Society of Automotive Engineers
- Defines communication for vehicle networks
- A Higher-Layer Protocol using CAN as the physical layer
- Uses shielded twisted pair wire
- Applies a maximum network length of 120 ft.
- Applies a standard baud rate of 250 Kbit/sec
- Supports peer-to-peer and broadcast communication
- Supports message lengths up to 1785 bytes
- Defines a set of Parameter Group Numbers
- Supports network management

PARAMETER GROUP NUMBER

Parameter Groups contain information on parameter assignments within the 8-byte CAN data field of each message as well as repetition rate and priority. Parameters groups are, for instance, engine temperature, which includes coolant temperature, fuel temperature, oil temperature, etc. Parameter Groups and their numbers are listed in SAE J1939 and defined in SAE J1939/71, a document containing parameter group definitions plus suspect parameter numbers.

SUSPECT PARAMETER NUMBER

A Suspect Parameter Number is a number assigned by the SAE to a specific parameter within a parameter group. It describes the parameter in detail by providing the following information:

Data Length in bytes
Data Type
Resolution
Offset
Range
Reference Tag (Label)

SPNs that share common characteristics are grouped into Parameter Groups and they will be transmitted throughout the network using the Parameter Group Number.

CAN MESSAGES AVAILABLE ON BODY CONNECTIONS

SPN	CAN Signal Description	PGN	CAN BUS
38	Fuel Level 2	65276, DD1	SCAN, KCAN
46	Pneumatic Supply Pressure	65198, AIR1	SCAN, KCAN, BCAN
51	Engine Throttle Valve1 Postion1	65266, LFE1	SCAN, KCAN, BCAN
69	Two Speed Axle Switch	65265, CCVS1	SCAN, KCAN
70	Parking Brake Switch	65265, CCVS1	SCAN, KCAN
74	Maximum Vehicle Speed Limit	65261, CCSS	SCAN, KCAN
81	Aftertreatment 1 Diesel Particulate Filter Intake Pressure	65270, IC1	SCAN, KCAN, BCAN
84	Wheel-Based Vehicle Speed	65265, CCVS1	SCAN, KCAN, BCAN
86	Cruise Control Set Speed	65265, CCVS1	SCAN, KCAN, BCAN
86	Cruise Control Set Speed	65265, CCVS1	SCAN, KCAN
90	PTO Oil Temperature	65264, PTO	SCAN, KCAN, BCAN
91	Accelerator Pedal Position1	61443, EEC2	SCAN, KCAN, BCAN
94	Engine fuel Delivery Pressure	65263, EFLP1	SCAN, KCAN, BCAN
96	Fuel Level 1	65276, DD1	SCAN, KCAN
98	Engine Oil Level	65263, EFLP1	SCAN, KCAN, BCAN
101	Engine Crankcase Pressure	65263, EFLP1	SCAN, KCAN, BCAN
105	Engine Intake Manifold 1 Temperature	65270, IC1	SCAN, KCAN, BCAN
106	Engine Intake Air Pressure	65270, IC1	SCAN, KCAN, BCAN
108	Barometric Pressure	65269, AMB	SCAN, KCAN, BCAN
111	Engine Coolant Level 1	65263, EFLP1	SCAN, KCAN, BCAN
117	Brake Primary Pressure	65274, B1	SCAN, KCAN
118	Brake Secondary Pressure	65274, B1	SCAN, KCAN
158	Key Switch Battery Potential	65271, VEP1	SCAN, KCAN
161	Transmission Input Shaft Speed	61442, ETC1	SCAN, KCAN, BCAN
162	Transmission Requested Range	61445, ETC2	SCAN, KCAN, BCAN
163	Transmission Current Gear	61445, ETC2	SCAN, KCAN, BCAN
168	Battery Potential / Power Input 1	65271, VEP1	SCAN, KCAN, BCAN
171	Ambient Air Temperature	65269, AMB	SCAN, KCAN, BCAN
173	Engine Exhaust Temperature	65270, IC1	SCAN, KCAN, BCAN
174	Engine Fuel Temperature 1	65262, ET1	SCAN, KCAN, BCAN
182	Engine Trip Fuel	65257, LFC1	SCAN, KCAN, BCAN
183	Engine Fuel Rate	65266, LFE1	SCAN, KCAN, BCAN
184	Engine Instantaneous Fuel Economy	65266, LFE1	SCAN, KCAN, BCAN
185	Engine Average Fuel Economy	65266, LFE1	SCAN, KCAN
187	Power Takeoff Set Speed	65264, PTO	SCAN, KCAN
187	Power Take Off Set Speed	65264,PTO	SCAN, KCAN, BCAN
187	Power Take Off Set Speed	65264,PTO	SCAN, KCAN, BCAN
190	Engine Speed	61444, EEC1	SCAN, KCAN, BCAN

191	Transmission Output Shaft Speed	61442, ETC1	SCAN, KCAN, BCAN
235	Engine Total Idle Hours	65244, IO	SCAN, KCAN, BCAN
236	Engine Total Idle Fuel Used	65244, IO	SCAN, KCAN, BCAN
237	Vehicle Identification Number	65260, VI	SCAN, KCAN, BCAN
244	Trip Distance	65248, VD	SCAN, KCAN, BCAN
245	Total Vehicle Distance	65248, VD	SCAN, KCAN, BCAN
247	Engine Total Hours of Operation	65253, HOURS	SCAN, KCAN, BCAN
249	Engine Total Revolutions	65253, HOURS	SCAN, KCAN, BCAN
250	Engine Total Fuel Used	65257, LFC1	SCAN, KCAN, BCAN
512	Driver's Demand Engine-Percent Torque	61444, EEC1	SCAN, KCAN, BCAN
513	Actual Engine-Percent Torque	61444, EEC1	SCAN, KCAN, BCAN
518	Engine Requested Torque/Torque Limit	0, TSC1	SCAN, KCAN
518	Engine Requested Torque/Torque Limit	0,TSC1	SCAN, KCAN, BCAN
523	Transmission Current Gear	61445, ETC2	SCAN, KCAN, BCAN
524	Transmission Selected Gear	61445, ETC2	SCAN, KCAN, BCAN
525	Transmission Requested Gear	256, TC1	SCAN, KCAN, BCAN
525	Trans Requested Gear	256, TC1	SCAN, KCAN, BCAN
526	Transmission Actual Gear Ratio	61445, ETC2	SCAN, KCAN, BCAN
527	Cruise Control States	65265, CCVS1	SCAN, KCAN
527	Cruise Control States	65265, CCVS1	SCAN, KCAN
527	Cruise Control States	65265, CCVS1	SCAN, KCAN
558	Accelerator Pedal1 Low Idle Switch	61443, EEC2	SCAN, KCAN, BCAN
559	Accelerator Pedal Kick down Switch	61443, EEC2	SCAN, KCAN, BCAN
560	Transmission Driveline Engaged	61442, ETC1	SCAN, KCAN, BCAN
573	Transmission Torque Converter Lockup Engaged	61442, ETC1	SCAN, KCAN, BCAN
574	Transmission Shift in Process	61442, ETC1	SCAN, KCAN, BCAN
590	Engine Idle Shutdown Timer State	65252, SHUTDN	SCAN, KCAN, BCAN
590	Engine Idle Shutdown Timer State	65252, SHUTDN	SCAN, KCAN, BCAN
591	Engine Idle Shutdown Timer Function	65252, SHUTDN	SCAN, KCAN, BCAN
591	Engine Idle Shutdown Timer Function	65252, SHUTDN	SCAN, KCAN, BCAN
592	Engine Idle Shutdown Timer Override	65252, SHUTDN	SCAN, KCAN, BCAN
593	Engine Idle Shutdown has Shutdown Engine	65252, SHUTDN	SCAN, KCAN, BCAN
594	Engine Idle Shutdown Driver Alert Mode	65252, SHUTDN	SCAN, KCAN, BCAN
595	Cruise Control Active	65265, CCVS1	SCAN, KCAN
595	Cruise Control Active	65265, CCVS1	SCAN, KCAN
595	Cruise Control Active	65265, CCVS1	SCAN, KCAN, BCAN
596	Cruise Control Enable Switch	65265, CCVS1	SCAN, KCAN
597	Brake Switch	65265, CCVS1	SCAN, KCAN
598	Clutch Switch	65265, CCVS1	SCAN, KCAN
599	Cruise Control Set Switch	65265, CCVS1	SCAN, KCAN
600	Cruise Control Coast (Decelerate) Switch	65265, CCVS1	SCAN, KCAN

601	Cruise Control Resume Switch	65265, CCVS1	SCAN, KCAN
602	Cruise Control Accelerate Switch	65265, CCVS1	SCAN, KCAN
606	Engine Momentary Overspeed Enable	61442, ETC1	SCAN, KCAN, BCAN
607	Progressive Shift Disable	61442, ETC1	SCAN, KCAN, BCAN
684	Requested% Clutch Slip	256, TC1	SCAN, KCAN, BCAN
695	Engine Override Control Mode	0,TSC1	SCAN, KCAN, BCAN
696	Engine Requested Speed Control Conditions	0,TSC1	SCAN, KCAN, BCAN
897	Override Control Mode Priority	0,TSC1	SCAN, KCAN, BCAN
898	Engine Requested Speed/Speed Limit	0,TSC1	SCAN, KCAN, BCAN
917	Total Vehicle Distance (High Resolution)	65217, VDHR	SCAN, KCAN
969	Remote Accelerator Enable Switch	61441, EBC1	SCAN, KCAN, BCAN
974	Remote Accelerator Pedal Position	61443, EEC2	SCAN, KCAN, BCAN
974	Remote Accelerator Pedal Position	61443, EEC2	SCAN, KCAN, BCAN
975	Engine Fan1 Estimated Percent Speed	65213, FD1	SCAN, KCAN, BCAN
976	PTO Governor State	65265, CCVS1	SCAN, KCAN
976	PTO Governor State	65265, CCVS1	SCAN, KCAN, BCAN
976	PTO Governor State	65265, CCVS1	SCAN, KCAN, BCAN
977	Fan Drive State	65213, FD1	SCAN, KCAN, BCAN
979	Engine Remote PTO Governor Preprogrammed Speed Control Switch	65264, PTO	SCAN, KCAN, BCAN
979	Engine Remote PTO Governor Preprogrammed Speed Control Switch	65264, PTO	SCAN, KCAN, BCAN
980	Engine PTO Governor Enable Switch	65264, PTO	SCAN, KCAN, BCAN
980	Engine PTO Governor Enable Switch	65264, PTO	SCAN, KCAN, BCAN
982	Engine PTO Governor Resume Switch	65264, PTO	SCAN, KCAN, BCAN
984	Engine PTO Governor Set Switch	65264, PTO	SCAN, KCAN, BCAN
985	A/C High Pressure Fan Switch	65252, SHUTDN	SCAN, KCAN, BCAN
1040	Total Fuel Used (Gaseous)	65199, GFC	SCAN, KCAN, BCAN
1087	Service Brake Circuit1 Air Pressure	65198, AIR1	SCAN, KCAN, BCAN
1087	Service Brake Circuit1 Air Pressure	65198, AIR1	SCAN, KCAN, BCAN
1107	Engine Protection System Timer State	65252, SHUTDN	SCAN, KCAN, BCAN
1108	Engine Protection System Timer Override	65252, SHUTDN	SCAN, KCAN, BCAN
1110	Engine Protection System Approaching Shutdown	65252, SHUTDN	SCAN, KCAN, BCAN
1111	Engine Protection System Configuration	65252, SHUTDN	SCAN, KCAN, BCAN
1172	Engine Turbocharger1 Compressor Intake Temperature	65178, TCI2	SCAN, KCAN, BCAN
1184	Engine Turbocharger1 Turbine Outlet Temperature	65175, TCI5	SCAN, KCAN, BCAN
1214	Suspect Parameter Number	65226, DM1	SCAN, KCAN
1214	Suspect Parameter Number	65226, DM1	VCAN2
1214	Suspect Parameter Number	65226, DM1	SCAN, KCAN
1215	Failure Mode Identifier	65226, DM1	SCAN, KCAN
1215	Failure Mode Identifier	65226, DM1	VCAN2
1215	Failure Mode Identifier	65226, DM1	SCAN, KCAN
1216	Occurrence Count	65226, DM1	SCAN, KCAN

1437	Road Speed Limit Status	61443, EEC2	SCAN, KCAN, BCAN
1482	Source Address of Controlling Device for Transmission Control	61442, ETC1	SCAN, KCAN, BCAN
1483	Source Address of Controlling Device for Engine Control	61444, EEC1	SCAN, KCAN, BCAN
1487	Illumination Brightness Percent	53248, CL	SCAN, KCAN
1639	Fan Speed	65213, FD1	SCAN, KCAN, BCAN
1675	Engine Starter Mode	61444, EEC1	SCAN, KCAN, BCAN
1706	SPN Conversion Method	65226, DM1	SCAN, KCAN
1807	Steering Wheel Angle	61449, VDC2	SCAN, KCAN, BCAN
1854	TransMode3	256, TC1	SCAN, KCAN, BCAN
1856	Seat Belt Switch	57344, CM1	SCAN, KCAN
2367	Left Turn Signal Lights Command	65089, LCMD	SCAN, KCAN
2369	Right Turn Signal Lights Command	65089, LCMD	SCAN, KCAN
2391	Back Up Light and Alarm Horn Command	65089, LCMD	SCAN, KCAN
2432	Engine Demand–Percent Torque	61444, EEC1	SCAN, KCAN, BCAN
2538	TransMode3Indicator	65098, ETC7	SCAN, KCAN, BCAN
2540	Parameter Group Number (RQST)	59904, RQST	SCAN, KCAN
2609	Cab A/C Refrigerant Compressor Outlet Pressure	64993, CACI	SCAN, KCAN, BCAN
2863	Front Operator Wiper Switch	64973, OWW	SCAN, KCAN
2876	Turn Signal Switch	64972, OEL	SCAN, KCAN
2979	Vehicle Acceleration Rate Limit Status	61443, EEC2	SCAN, KCAN
2979	Vehicle Acceleration Rate Limit Status	61443, EEC2	SCAN, KCAN, BCAN
3026	Transmission Oil Level 1 Measurement Status	65272, TRF1	SCAN, KCAN, BCAN
3027	Transmission Oil Level1 High/Low	65272, TRF1	SCAN, KCAN, BCAN
3028	Transmission Oil Level 1 Countdown Timer	65272, TRF1	SCAN, KCAN, BCAN
3031	Aftertreatment 1 Diesel Exhaust Fluid Tank Temperature	65110, AT1T1I	SCAN, KCAN, BCAN
3349	TSC1 Transmission Rate	0,TSC1	SCAN, KCAN, BCAN
3350	TSC1 Control Purpose	0,TSC1	SCAN, KCAN, BCAN
3357	Actual Maximum Available Engine – Percent Torque	61443, EEC2	SCAN, KCAN, BCAN
3363	Aftertreatment 1 Diesel Exhaust Fluid Tank Heater	65110, AT1T1I	SCAN, KCAN, BCAN
3447	Remote PTO Governor Preprogrammed Speed Control Switch 2	65264, PTO	SCAN, KCAN, BCAN
3462	Engagement Status	64932, PTODE	SCAN, BCAN
3543	Engine Operating State	64914, EOI	SCAN, KCAN, BCAN
3606	Engine Controlled Shutdown Request	64914, EOI	SCAN, KCAN, BCAN
3607	Engine Emergency (Immediate) Shutdown Indication	64914, EOI	SCAN, KCAN, BCAN
3673	Engine Throttle Valve2 Position	65266, LFE1	SCAN, KCAN, BCAN
3695	Aftertreatment Regen Inhibit Switch	57344, CM1	SCAN, KCAN
3696	Aftertreatment Regen Force Switch	57344, CM1	SCAN, KCAN
3696	Force Regen	57344,CM1	SCAN, KCAN, BCAN
3696	Force Regen	57344,CM1	SCAN, KCAN, BCAN
3703	Diesel Particulate Filter Active Regen Inhibited Due to Inhibit Switch	64892, DPFC1	SCAN, KCAN, BCAN
3704	Diesel Particulate Filter Active Regen Inhibited Due to Clutch Disengaged	64892, DPFC1	SCAN, KCAN, BCAN

3705	Diesel Particulate Filter Active Regen Inhibited Due to Service Brake Active	64892, DPFC1	SCAN, KCAN, BCAN
3706	Diesel Particulate Filter Active Regen Inhibited Due to PTO Active	64892, DPFC1	SCAN, KCAN, BCAN
3707	Diesel Particulate Filter Active Regen Inhibited Due to Accelerator Pedal Off Idle	64892, DPFC1	SCAN, KCAN, BCAN
3708	Diesel Particulate Filter Active Regen Inhibited Due to Out of Neutral	64892, DPFC1	SCAN, KCAN, BCAN
3709	Diesel Particulate Filter Active Regen Inhibited Due to Vehicle Speed Above Allowed Speed	64892, DPFC1	SCAN, KCAN, BCAN
3711	Diesel Particulate Filter Active Regen Inhibited Due to Low Exhaust Temperature	64892, DPFC1	SCAN, KCAN, BCAN
3712	Diesel Particulate Filter Active Regen Inhibited Due to System Fault	64892, DPFC1	SCAN, KCAN, BCAN
3716	Diesel Particulate Filter Active Regen Inhibited Due to Engine Not Warmed Up	64892, DPFC1	SCAN, KCAN, BCAN
3717	Diesel Particulate Filter Active Regen Inhibited Due to Vehicle Speed Below Allowed Speed	64892, DPFC1	SCAN, KCAN, BCAN
3721	Aftertreatment 1 Diesel Particulate Filter Time Since Last Active Regen	64891, AT1S1	SCAN, KCAN, BCAN
3948	At least one PTO engaged	64932, PTODE	SCAN, KCAN
4154	Actual Engine - Percent Torque (Fractional)	61444, EEC1	SCAN, KCAN, BCAN
4175	Diesel Particulate Filter Active Regen Forced Status	64892, DPFC1	SCAN, KCAN, BCAN
4191	Engine Requested Torque - High Resolution	0,TSC1	SCAN, KCAN, BCAN
4206	Message Counter	0,TSC1	SCAN, KCAN, BCAN
4207	Message Checksum	0,TSC1	SCAN, KCAN, BCAN
4816	Transmission Torque Converter Lockup Transition in Process	61442, ETC1	SCAN, KCAN, BCAN
5082	Engine Oil Pressure Low Lamp Command	64775, DLCC1	SCAN, KCAN, BCAN
5082	Engine Oil Pressure Low Lamp Command	64775, DLCC1	SCAN, KCAN, BCAN
5083	Engine Coolant Temperature High Lamp Command	64775, DLCC1	SCAN, KCAN, BCAN
5083	Engine Coolant Temperature High Lamp Command	64775, DLCC1	SCAN, KCAN, BCAN
5084	Engine Coolant Level Low Lamp Command	64775, DLCC1	SCAN, KCAN, BCAN
5084	Engine Coolant Level Low Lamp Command	64775, DLCC1	SCAN, KCAN, BCAN
5088	Vehicle Fuel Level Low Lamp Command	64774, DLCC2	SCAN, KCAN, BCAN
5088	Vehicle Fuel Level Low Lamp Command	64774, DLCC2	SCAN, KCAN, BCAN
5089	Vehicle Air Pressure Low Lamp Command	64774, DLCC2	SCAN, KCAN, BCAN
5091	Vehicle Battery Charging Lamp Command	64774, DLCC2	SCAN, KCAN, BCAN
5246	Aftertreatment SCR Operator Inducement Severity	65110, AT1T1I	SCAN, KCAN, BCAN
5398	Estimated Pumping – Percent Torque	61443, EEC2	SCAN, KCAN, BCAN
5399	DPF Thermal Management Active	61443, EEC2	SCAN, KCAN, BCAN
5400	SCR Thermal Management Active	61443, EEC2	SCAN, KCAN, BCAN
5466	Aftertreatment 1 Diesel Particulate Filter Soot Load Regen Threshold	64891, AT1S1	SCAN, KCAN, BCAN
5676	Forward Collision Advanced Emergency Braking System State	61487, AEBS1	SCAN, KCAN

This page is intentionally left blank.

SECTION 7a ELECTRICAL 579 FAMILY

INTRODUCTION

This section is written to provide information to the body builder when installing equipment into vehicles built with multiplexed instrumentation. The technology presented by VECU level instrumentation integrates J-1939 CAN data communications between controllers and equipment on the vehicle. This section is intended to address how to work in aftermarket equipment while still maintaining full functionality of the OEM vehicle.

These topics apply to 2.1M chassis built with VECU architecture. The electrical architecture for these trucks will be named VMUX which replaces VECU01. This system integrates a parallel control unit to manage outbound messages via a faster baud rate 500kbps and FCAN signals for the chassis module(s). The F-CAN is located on the VECU, so the VCAN is divided into VCAN1 and VCAN2. The second CAN is dedicated to OBD communication.

The most important advancement of electrical instrumentation is the implementation of the VECU controller. While it is still possible to wire completely outside of the VECU system, utilizing the VECU functions will make a cleaner installation and will maintain OEM functionality. VECU expands controls to air operated devices by receiving input from dash switches, remote (aftermarket) switches, sensors mounted to the aftermarket equipment and other vehicle parameters (engine speed, transmission status etc.) With the proper programming, the VECU will then process the inputs and will create a J-1939 Data instruction which is communicated to another controller outside the cab called the Chassis Module. This chassis module receives the instruction and communicates the information to the air solenoid bank. Then 12V power will open the solenoid and supply air pressure the specified air circuit. The chassis module can also supply voltage to other systems on the chassis.

ELECTRICAL ACRONYM LIBRARY

Acronym	Definition
CAN	Controller Area Network
DTC	Diagnostics Trouble Code
ECM	Engine Control Module
ECU	Electrical Control Unit
EOA	Electric Over Air
EOH	Electric Over Hydraulic
J-1939	SAE CAN Communication Standard
LIN	Local Interconnect Network
MSB	Master Solenoid Bank
MSM	Master Switch Module
MUX	Multiplex Switch
OBD	On Board Diagnostics
OEM	Original Equipment Manufacture
PCC	Predictive Cruise Control
PDC	Power Distribution Center
PGN	Parameter Group Number
PTO	Power Take Off
RP1226	TMS Messaging Standard
SPN	Suspect Parameter Number
TCM	Transmission Control Module
VECU	Vehicle Electronic Control Unit

ELECTRICAL WIRING CIRCUIT CODES

The wire system uses 10 different colors and only one striped wire color. Each wire has a minimum of seven characters, with the first three characters as the wire color. The remaining four characters are related to the wire services. The colors determine the circuits function as follows:

ELECTRICAL WIRE CIRCUIT CODE TABLES

PACCAR Electrical Circuit Code		
Insulation Color	Color Code	Electrical Function
Red w/ white stripe	R/WXXXX	Direct battery power
Red	REDXXXX	Protected battery power
Orange	ORNXXXX	Ignition, Accessory, Low Voltage Disconnect, StartPower
Yellow	YELXXXX	Activated Power
White	WHTXXXX	Ground
Black	BLKXXXX	Load Return
Gray	GRAXXXX	Control
Brown	BRNXXXX	Indicator Illumination Backlit Illumination
Violet	VIOXXXX	Reference Voltage or +5VDC or Sensor Power
Light Blue	BLUXXXX	Sensor Signal
Light Green	GRNXXXX	Sensor common or Sensor Ground

Number			Category
XXX0000	through	XXX0999	General
XXX1000	through	XXX1999	Power Supply
XXX2000	through	XXX2999	Lighting
XXX3000	through	XXX3999	Powertrain
XXX4000	through	XXX4999	Instrumentation
XXX5000	through	XXX5999	Safety systems
XXX6000	through	XXX6999	Convenience, Security
XXX7000	through	XXX7999	HVAC
XXX8000	through	XXX8999	Undefined
XXX9000	through	XXX9999	Trailer/Body Connections

MULTIPLEX SYSTEM

The VECU electrical architecture uses a multiplexing system. Multiplexing can be defined as the process of sending multiple digital signals on the same shared medium at the same time. These signals are introduced into the multiplexing system through data connection points which are defined by J1939 backbone.

CAN BUS SPEEDS AND CIRCUIT DESIGNATION

J1939-14 (500KBPS):

B-CAN – 0813 Body Builder

C-CAN – 0821 Cab

D-CAN – 0822 Diagnostics

F-CAN – 0819 Frame

G-CAN – 0825 Bendix ACB Antenna

S-CAN – 0827 Radio and PACCAR Display

V-CAN1 – 0812 Vehicle1

V-CAN2 – 0823 Vehicle2

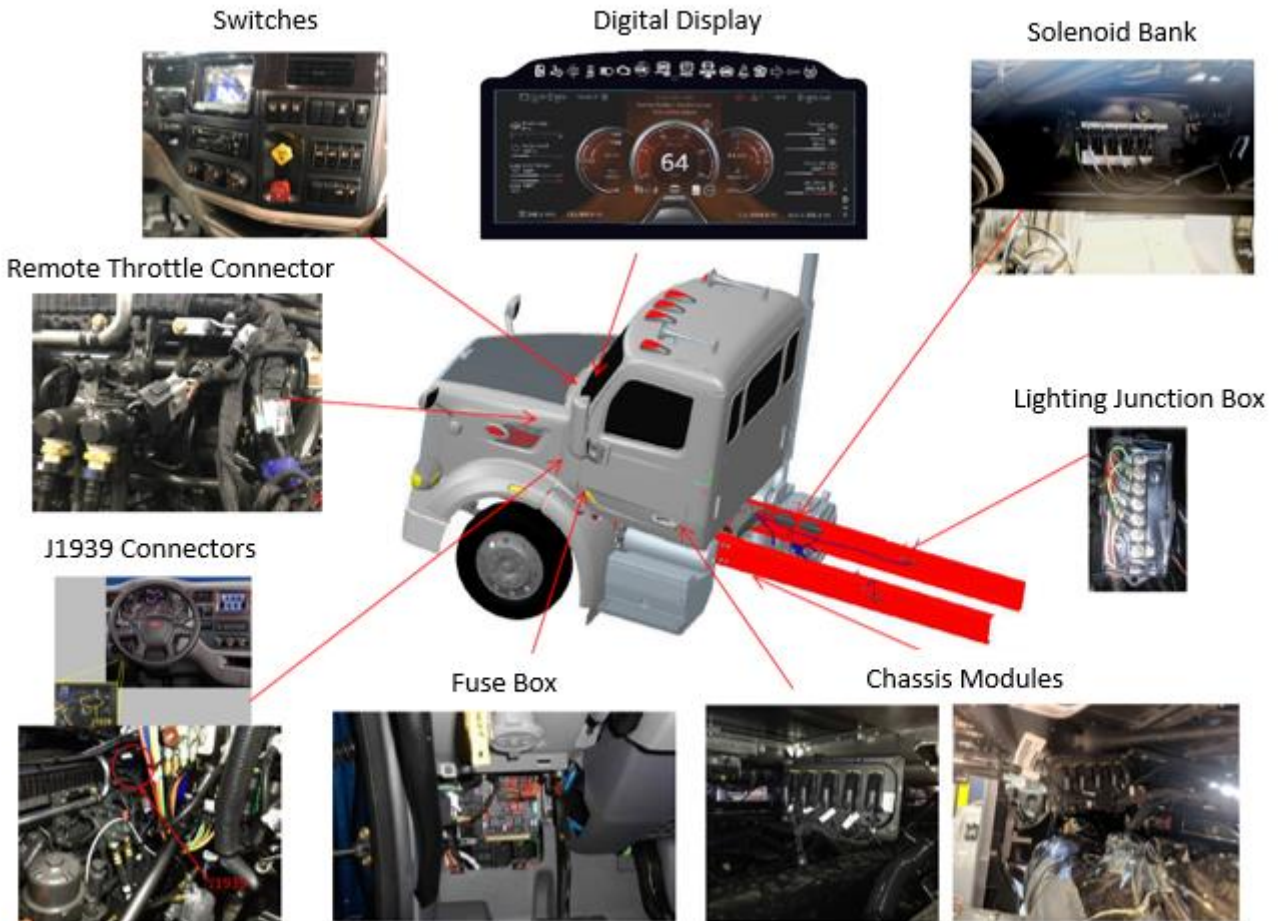
J1939-15 (250KBPS):

T-CAN – 0828 Transmission

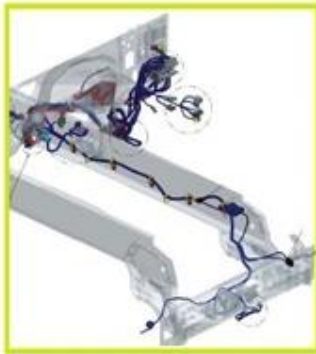
K-CAN – 0829 Telematics and Remote PTO

ELECTRICAL COMPONENT OVERVIEW

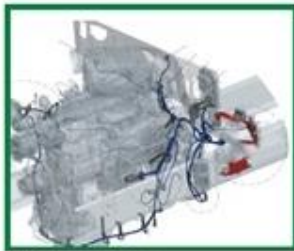
OVERVIEW DIAGRAM OF ELECTRICAL COMPONENT LOCATIONS



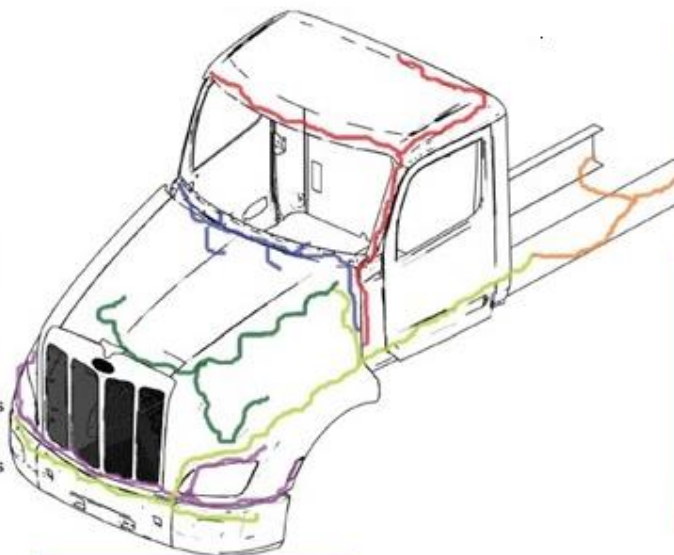
ELECTRICAL HARNESS OVERVIEW



MAIN CHASSIS HARNESS
 1) Connections to Firewall Bulkhead
 2) Connections to Rear Chassis Harness
 3) Connections to Chassis Module
 4) Connection to Solenoid Bank
 5) Connections to Rear Chassis Harness
 6) Connections to Hood Harness



ENGINE HARNESS
 1) Connections to Main Chassis Harness
 2) Connections to Firewall Bulkhead
 3) Connections to Starter
 4) Connections to Aftertreatment Harness
 5) Connection to Engine ECU



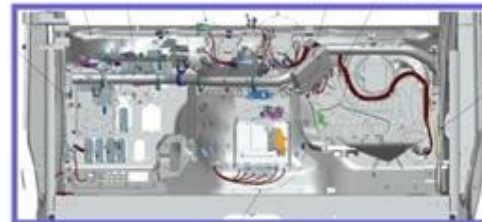
REAR CHASSIS HARNESS
 1) Connections to Chassis Harness
 2) Connections to Tail Light



CAB ROOF HARNESS
 1) Connections to Main Cab IP Harness
 2) Connections to Antennas
 3) Connections to Roof Lighting



HOOD CHASSIS HARNESS
 1) Connections to Main Chassis Harness
 2) Connections to Head Lights
 3) Connections to Turn Signal Lamps

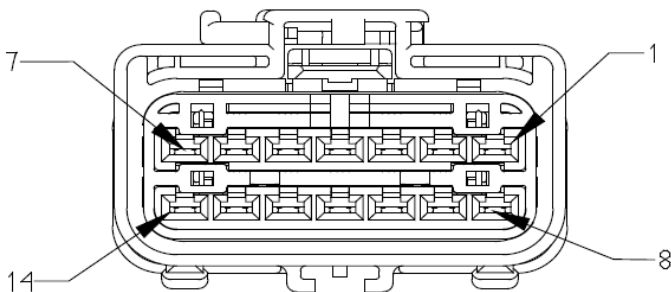
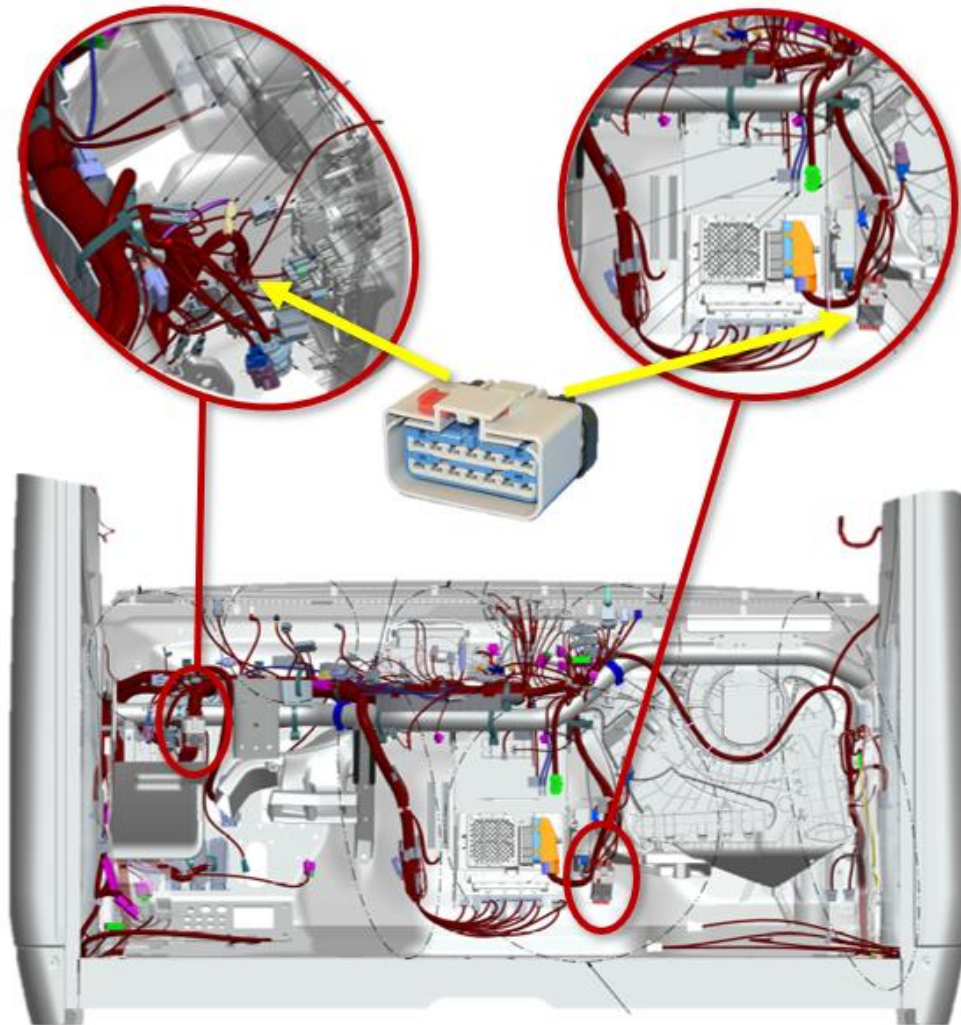


MAIN CAB IP HARNESS
 1) Connections to Firewall Bulkhead
 2) Connections to VECU
 3) Connections to Power Distribution Center
 4) Connections to Instrument Panels
 5) Connection to Allison TCM
 6) Connections to Cab Roof Harness

IN CAB CAN BASED MESSAGING CONNECTOR

RP1226 CONNECTOR

There are two RP1226 connectors located inside the cab. The first RP1226 connector is located on the left hand side of the steering wheel behind the dash near the OBD connector. The second RP1226 connector is located on the passenger side behind the dash. The RP1226 connector can be used for after-market telematics, ELD, body controls, and PTO controls. There will be multiple bus speeds available K-CAN for 250kbps and S-CAN for 500kbps. The RP1226 provides defined messages and major telematics supplier data for customer use.

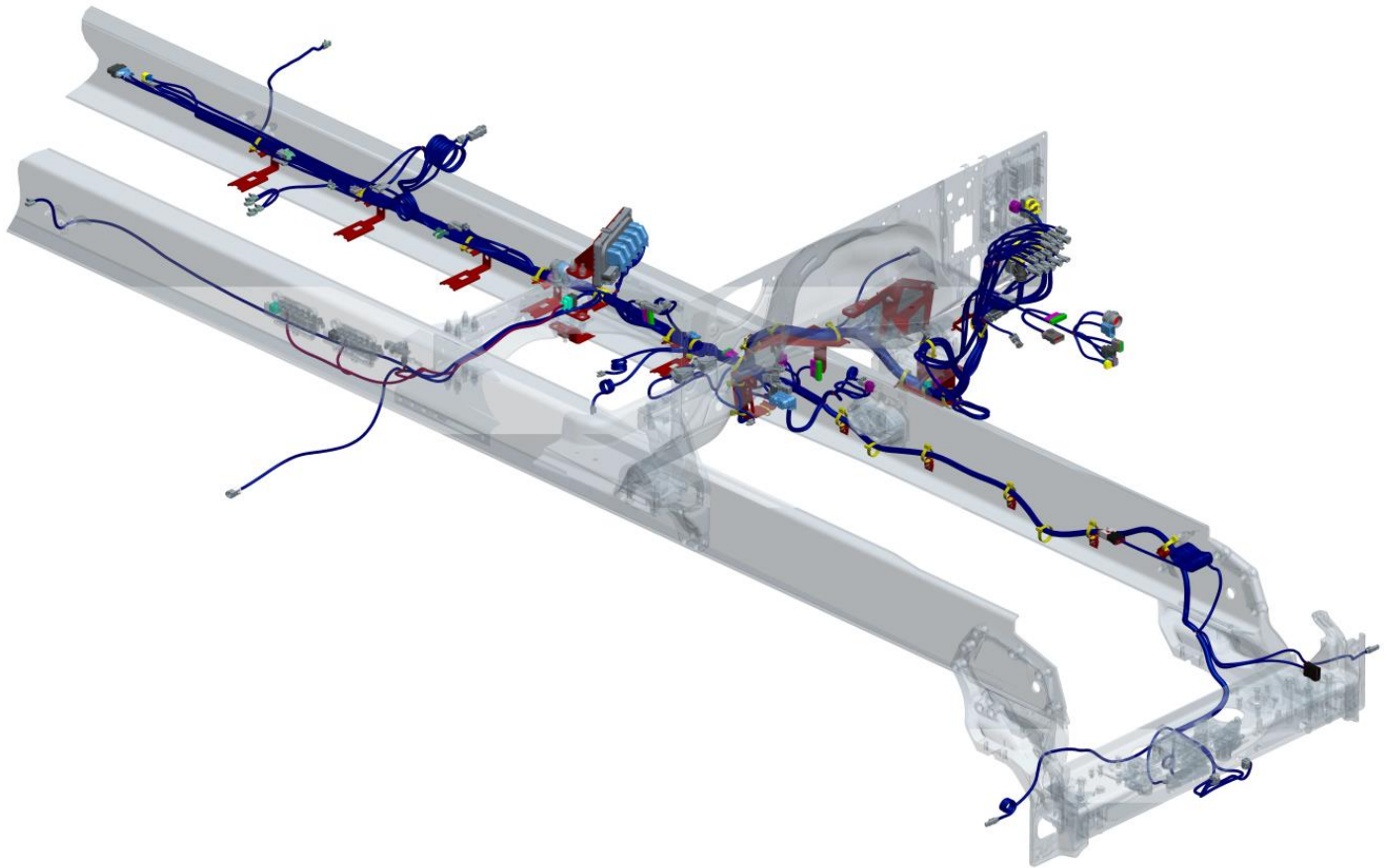


Pin	Description
1	PROTECTED POWER
2	J1939 S-CAN (+)
4	J1939 K-CAN (+)
7	IGNITION POWER
8	GROUND
9	J1939 S-CAN (-)
11	J1939 K-CAN (-)

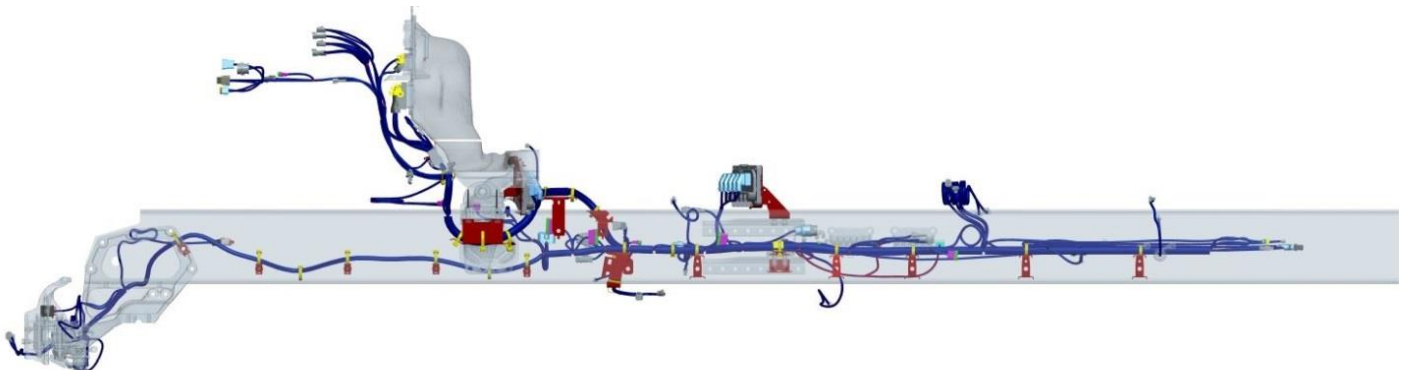
BODY CONNECTION POINTS

LOCATION DIAGRAMS FOR VARIOUS BODY CONNECTORS ON THE MAIN CHASSIS HARNESS

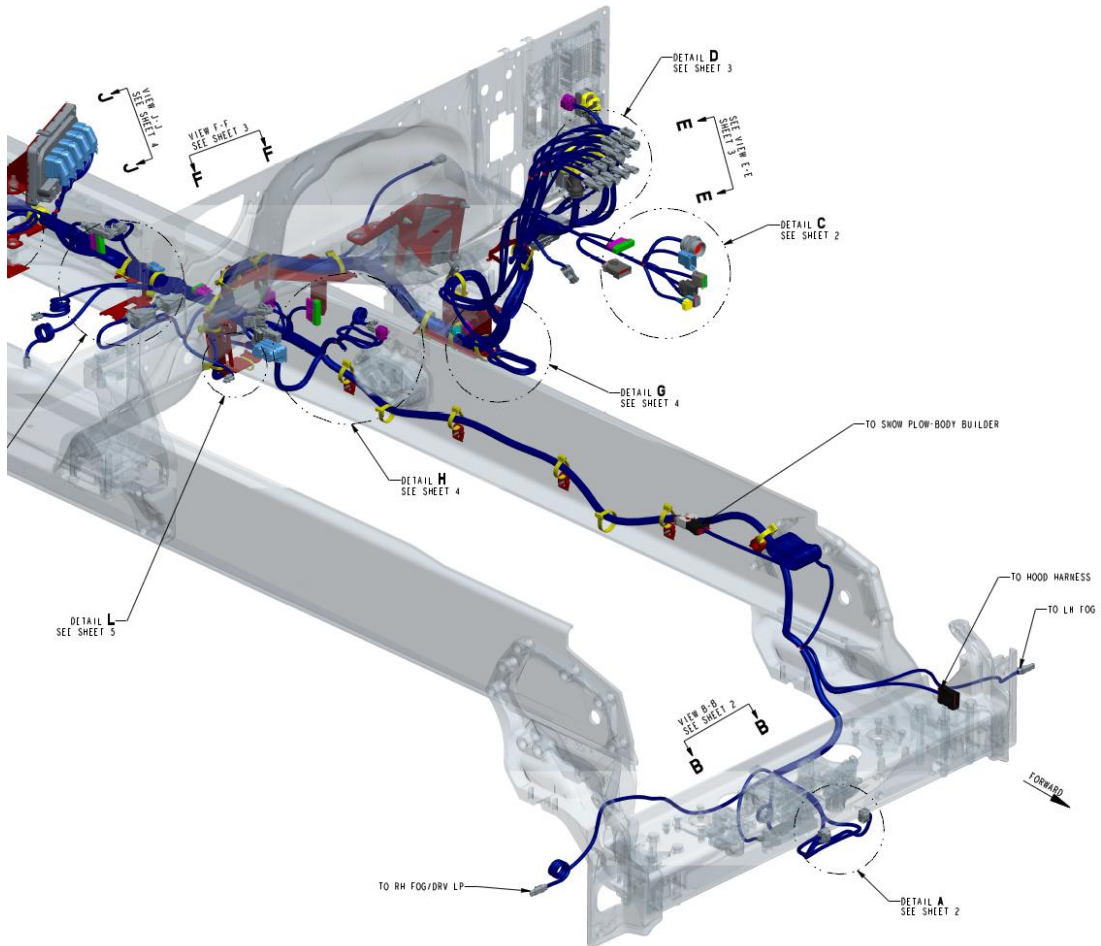
Isometric View



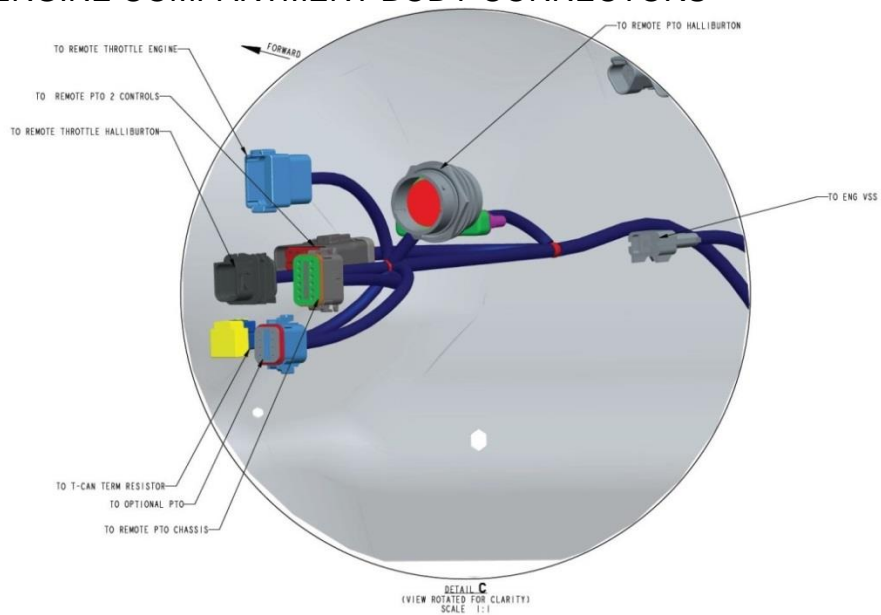
Side View



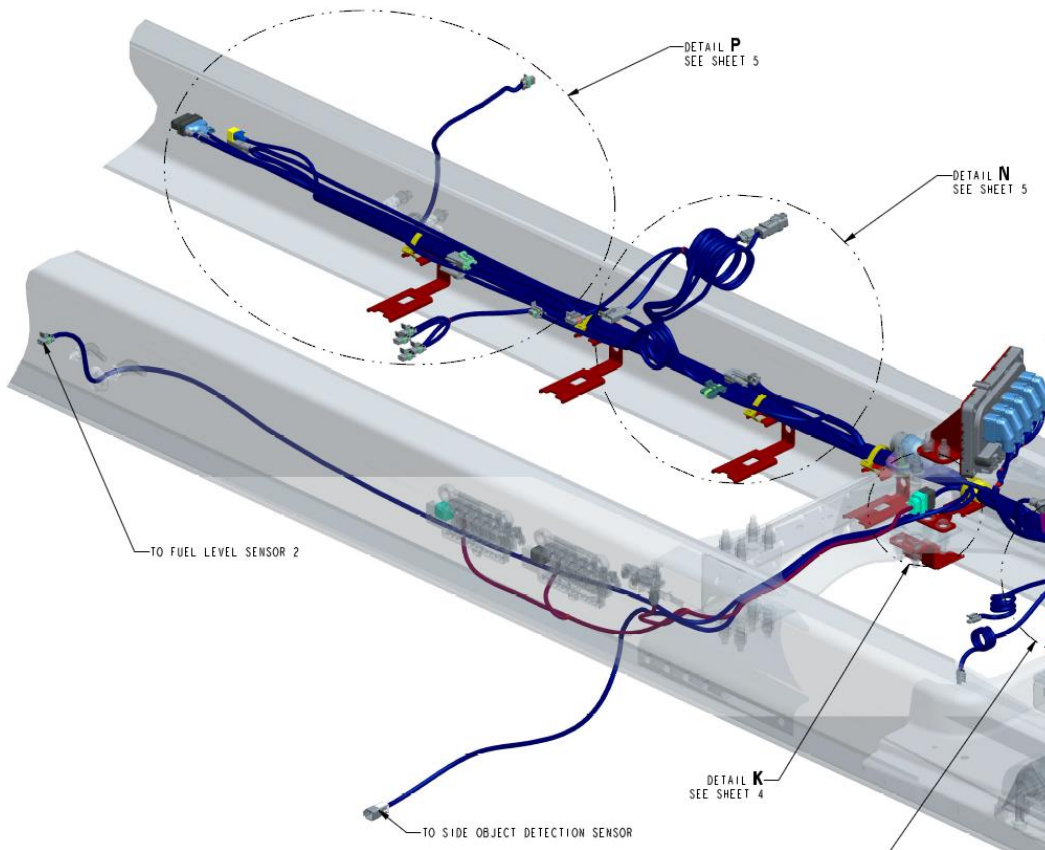
FRONT PORTION VIEW



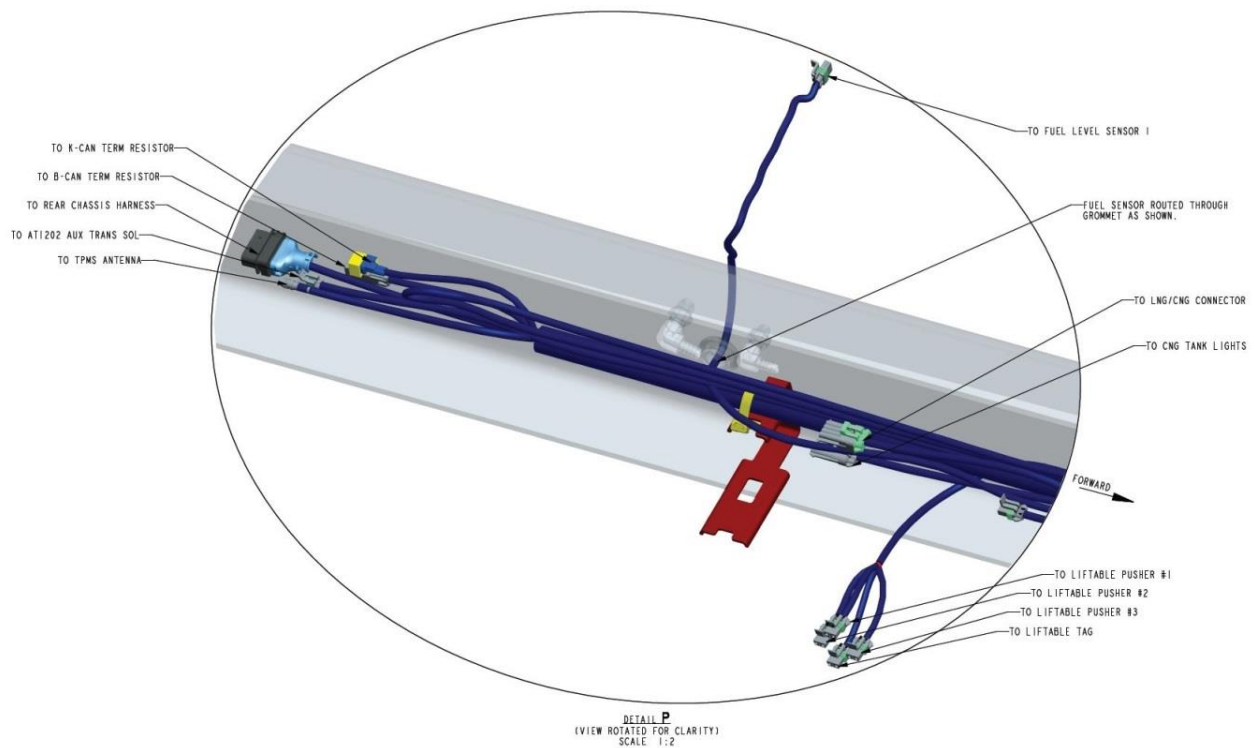
DETAIL VIEW OF ENGINE COMPARTMENT BODY CONNECTORS



REAR PORTION VIEW

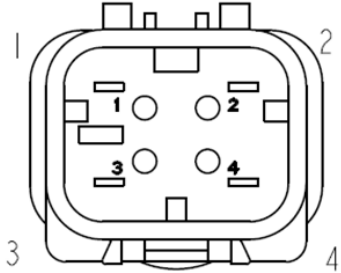


DETAIL VIEW OF BOC/BOS AND EOF BODY CONNECTORS



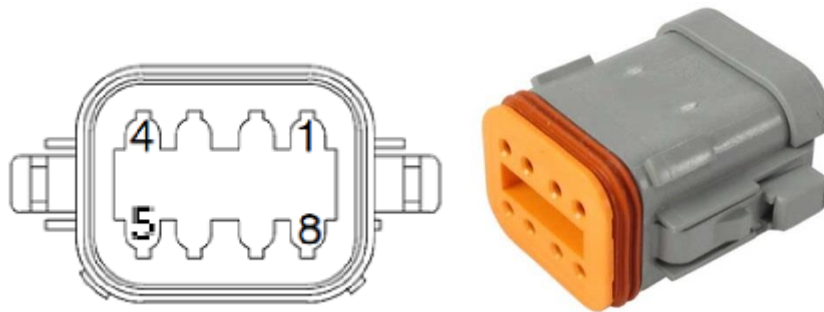
ELECTRIC ENGAGED EQUIPMENT

At the left hand forward cab mount, P198 is available for PTO controls that are electrically engaged via ground.



Pin	Description
1	VEHICLE GROUND
2	#1 PTO ON/OFF
3	PTO PUMP MODE SIGNAL
4	#2 PTO ON/OFF

OPTIONAL 8 PIN PTO INPUT CONNECTOR



Pin	Description
1	12V IGNITION SIGNAL
2	PTO INTERLOCK INPUT (Active Low)
3	REMOTE PTO PRESET 3 (Active High)
4	REMOTE PTO PRESET 2 (Active High)
5	REMOTE PTO PRESET 1 (Active High)
6	REMOTE PTO PRESET INCREMENT + (Active High)
7	REMOTE PTO PRESET DECREMENT - (Active High)
8	VEHICLE GROUND

REMOTE THROTTLE AND REMOTE PTO CONTROLS

PACCAR MX Engines

Chassis must be ordered with the appropriate option to have a 12 pin connector on the chassis harness. All signals will feed into the Chassis Modules.

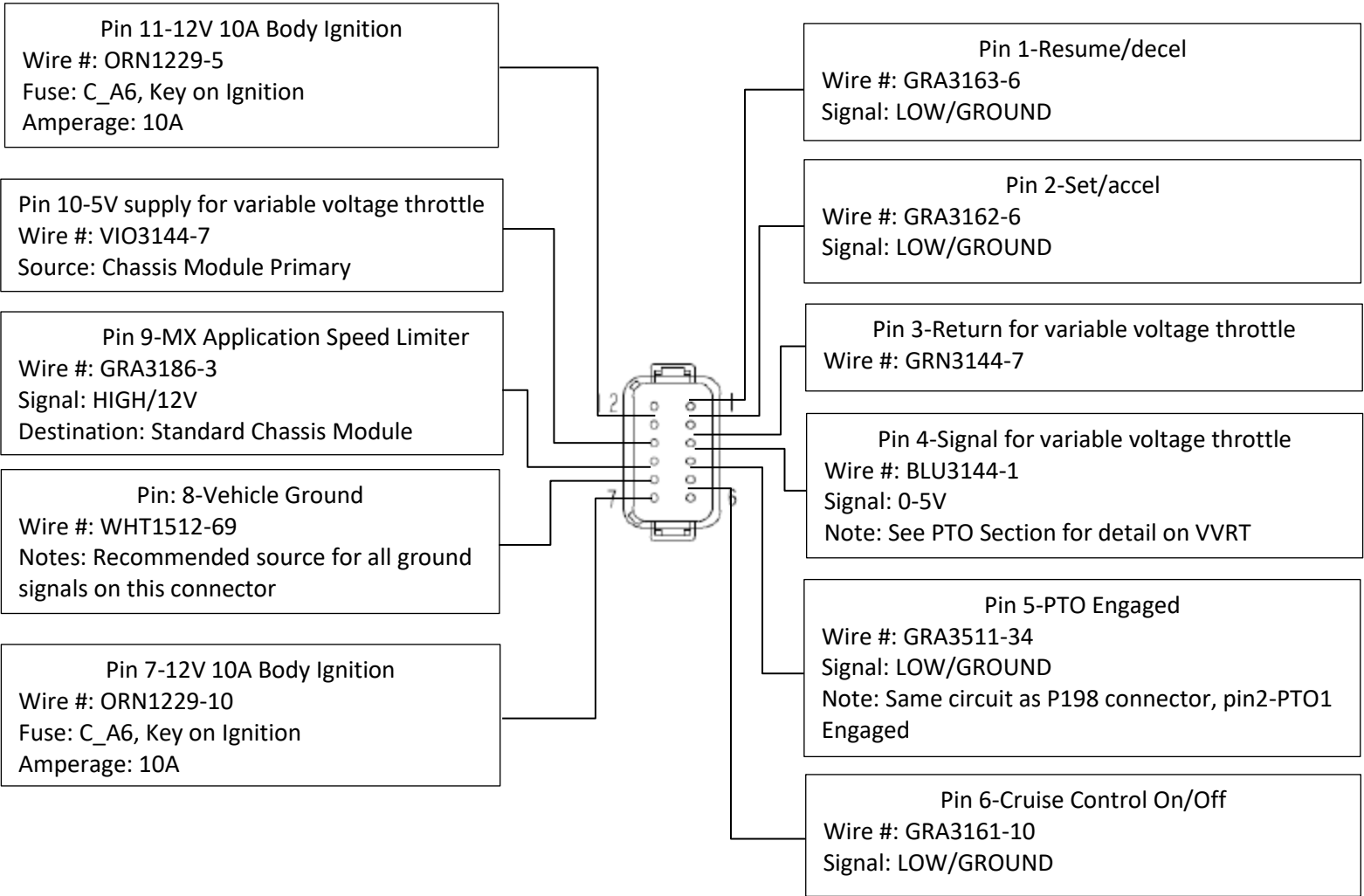
Wiring Function Description:

Connect pin 5 and pin 6 to pin 8 to activate PTO Mode Control (PMC) and Enable PTO Speed Control (PSC).

WARNING: DO NOT install a permanent jumper wire between Pins 5 and 6.

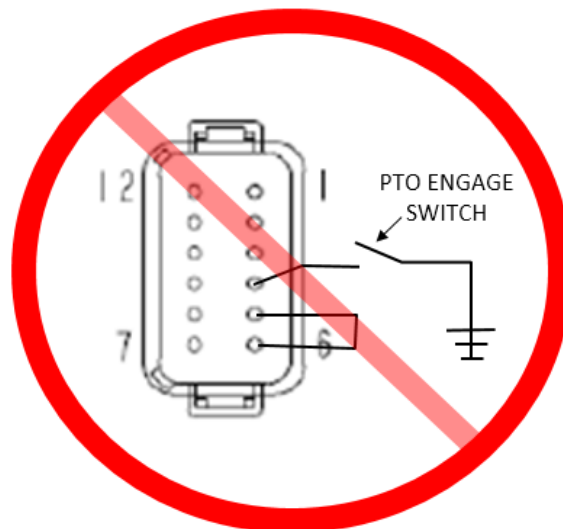
- "Bump up" Engine Speed: Connect pins 2 to pin 8 momentarily
- "Accelerate" Engine Speed: Connect pins 2 to pin 8 until desired RPM is reached then disconnect
- "Bump down" Engine Speed: Connect pin 1 to pin 8 momentarily
- "Decelerate" Engine Speed: Connect pins 1 to pin 8 until desired RPM is reached then disconnect
- "0-5v Variable Voltage Remote Throttle": See PTO section

	<p>P197C-Remote PTO Chassis</p>
<p>TRUCK CONNECTOR</p>	<p>Equipped: Optional Available Locations: Firewall, BOC/BOS, EOF Supplier: Deutsch-DT Series</p>
	<p>Mating Connector: PACCAR P/N: P20-1372-1112H TE P/N: DT04-12PA-CE02 Terminals: 16-20 awg: 0460-202-16141 14 awg : 0460-215-16141 Plugs: 0413-217-1605</p>
<p>MATING CONNECTOR</p>	<p>Note: Cap installed from Factory</p>

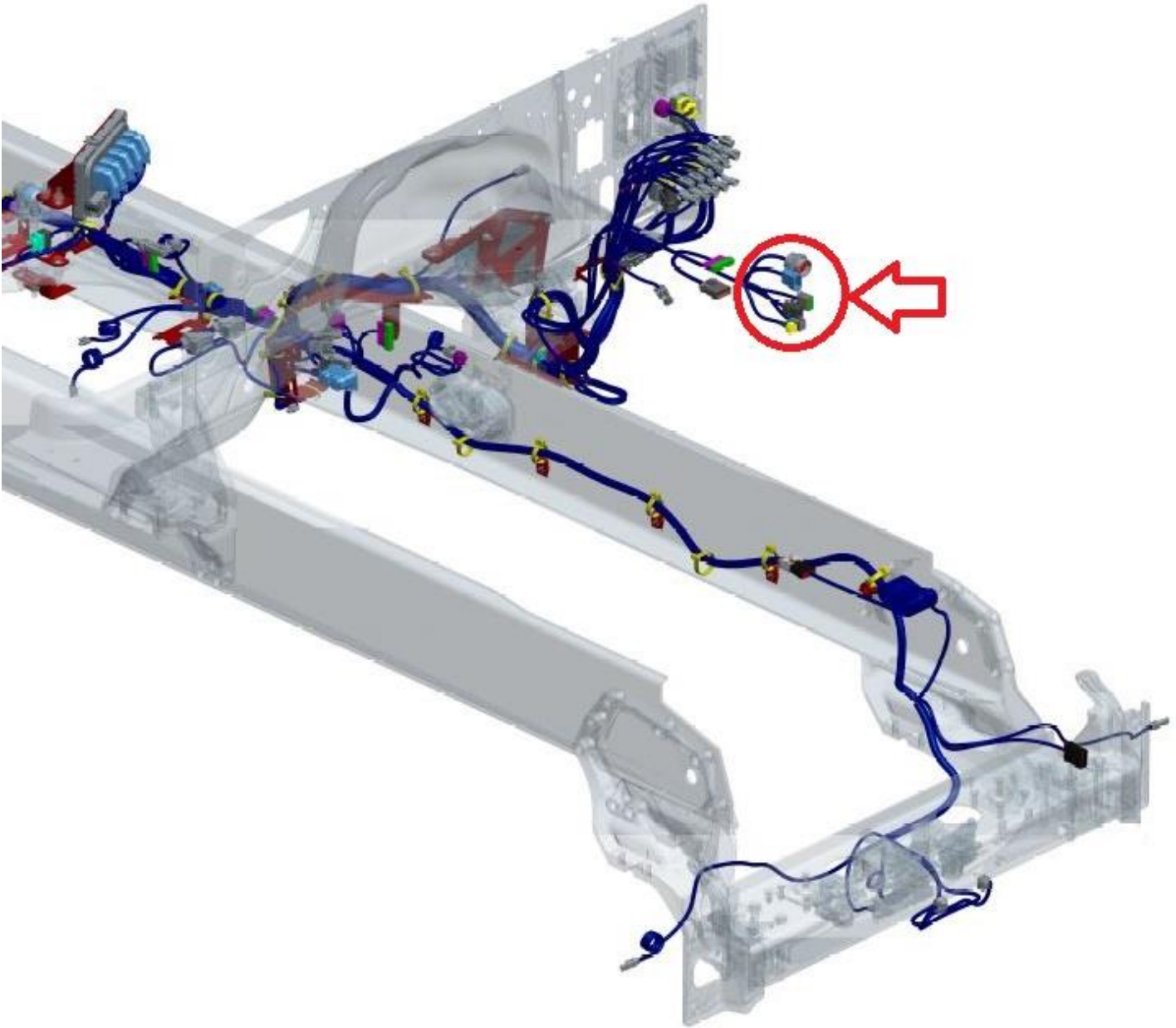


WARNING!

DO NOT install a permanent jumper wire between pins 5 and 6. May cause unexpected vehicle behavior.

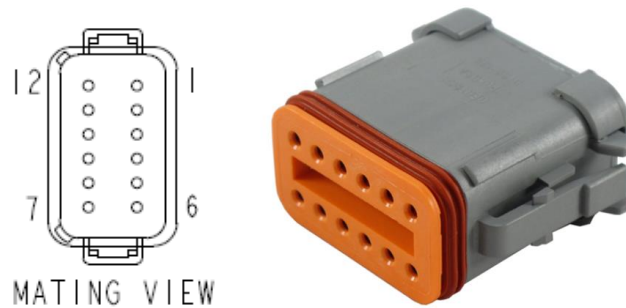


MX-11 and MX-13 Connector Location

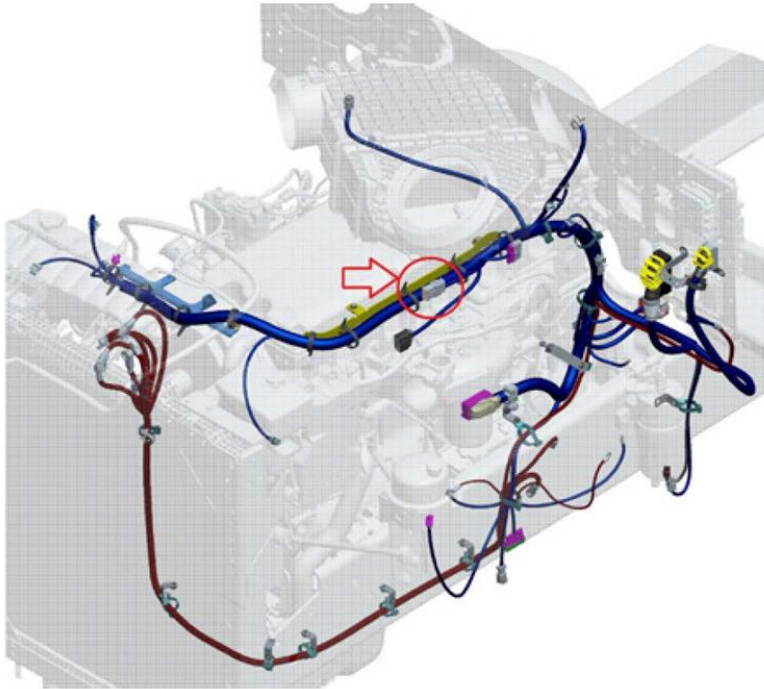


Cummins Engines 12 Pin Connector

Chassis must be ordered with the appropriate option to have a 12 pin connector on the engine harness. The Body IGN signal was moved off the engine harness connector, so for Cummins, the Chassis Harness will include the PTO layer to insert the Body IGN signal back into the 12-way connector. Signals that feed directly to the engine ECM typically will be active low signals. Connect pins 3 and 5 for simple PTO ON/OFF signal. For Remote throttle bump, you must connect pins 3 & 6. Having a momentary switch to signal ground on pins 2 and 1 will then increase/decrease engine speed. Engine speed will depend on how engine is programmed. Unless otherwise specified, engine is set by default for incremental speed increase. Full remote throttle control can be achieved with a twisted triple to pin 4, 10, and 11.



Pin	Description
1	INPUT FOR REMOTE PTO RESUME (Active Low)
2	INPUT FOR REMOTE PTO SET (Active Low)
3	SWITCH RETURN
4	INPUT FOR REMOTE THROTTLE SENSOR CIRCUIT (TWISTED TRIPLE)
5	PTO ENGAGED SIGNAL (LOW = ENGAGED)
6	CRUISE ON/OFF (Active Low)
7	+12V 10A BODY IGN FUSE C_A6
8	VEHICLE GROUND
9	TORQUE LIMIT INPUT (Active Low)
10	PWR SUPPLY +5V(TWISTED TRIPLE)
11	ANALOG RETURN (TWISTED TRIPLE)
12	REMOTE ACCELERATOR ENABLE



X15 Connection location

DUAL STATION CONTROLS

When equipped, dual station controls allow extra controls from a remote station outside of the cab. The option will either include a 16-way connector, or a 23-way connector. When the in-cab PTO control switch is switched to the “on” position with the park brake applied, the engine will turn off unless the dual station remote run input is properly powered via the 16 or 23-way connector. To power the remote run input, terminal X of the 23-way connector or terminal L of the 16-way connector will be powered with a 12V+ input which will power terminal 87 of the remote run relay. To operate the remote start input, terminal F of the 23-way connector will be powered with a 12V+ input which will power terminal 85 of the remote run relay and terminal 85 of the remote start relay.

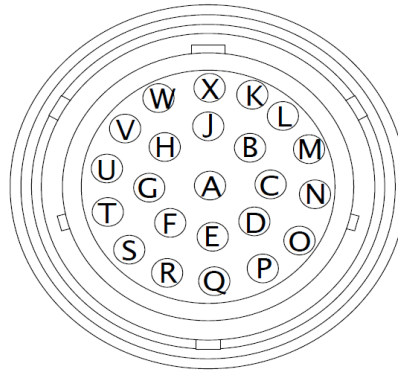
Following is a list of pin descriptions, and the required input or supplied output signal type for both the 23-way and the 16-way connectors for both PACCAR MX and Cummins engines. Also following are examples of wiring connections for common items used.

PACCAR MX ENGINE 16 PIN



Pin	Description	Input/Output	Destination/Source
A	External Regeneration Notification	Output, Active High	External Regen Relay, Controlled by Pin C7 of Optional Chassis Module
B	Remote Run	Input 12V (+)	Pin 87A Remote Run Relay
C	Remote Start	Input 12V (+)	Pin 87 of Remote Start Relay.
D	Remote Throttle Sensor Supply	Output, 5V (+) Supply	Pin E2 of Standard Chassis Module
E	Remote Throttle Position	Input Variable 0-5V	Pin A18 of Standard Chassis Module
F	Remote Throttle Return	Analog Sensor Ground	Pin E1 of Standard Chassis Module
G	DEF Lamp Return	Not Used, Cummins ONLY	
H	Regeneration Lamp Return	Not Used, Cummins ONLY	
J	tachometer (+)	Tachometer Output (+)	Body Builder Supplied sensor, Input on P669 Pin 1
K	tachometer (-)	Tachometer Output (-)	Body Builder Supplied sensor, Input on P669 Pin 2
L	Remote ECM Power Engine Run	Input 12V (+)	Pin 87 Remote Run relay, supplies Pin 63 Engine ECM When Relay Active.
M	Engine oil Pressure	Output	Body Builder Supplied sensor, Input on J668
N	NOT USED	NOT USED	
P	Water Temp	Output	Body Builder Supplied sensor, Input on J667
R	J1939 K-CAN (+)	K-CAN (+)	Pin C42 of VECU
S	J1939 K-CAN (-)	K-CAN (-)	Pin C43 of VECU

PACCAR MX ENGINE 23 PIN CONNECTOR



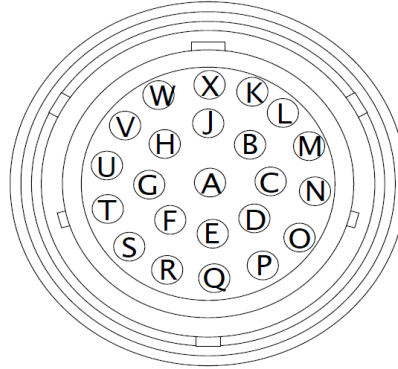
Pin	Description	Input/Output	Destination/Source
A	12 VDC IGN Power	Output 12V (+)	Tied To Pin L of 23 Way Conn. Dash PDC Fuse A6. 10A Fused
B	City Horn	Input 12V (+)	Pin 85 of Horn Relay
C	Check Engine Lamp	Output Active Low	Pin J2-60 of Engine ECM
D	Remote Start	Input 12V (+)	Pin 87 of Remote Start Relay
E	Remote Throttle Return	Analog Sensor Ground	Standard Chassis Module Pin E1
F	Remote Enable	Input 12V (+)	Pin 85 of Remote Start Relay. Pin 85 of Remote Run Relay
G	Remote Resume	Input Active Ground	Pin A6 of Standard Chassis Module
H	Remote Set	Input Active Ground	Pin A5 of Standard Chassis Module
J	Remote Throttle Position	Input, Variable 0-5V	Pin A18 of Standard Chassis Module
K	Remote Run	Input 12V (+)	Pin 87A Remote Run relay
L	12 VDC IGN Power	Output 12V (+)	Tied To Pin A of 23 Way Connector. Dash PDC Fuse A6. 10A Fused
M	J1939 K-CAN (-)	K-CAN (-)	Pin C43 of VECU
N	J1939 K-CAN (+)	K-CAN (+)	Pin C42 of VECU
O	Common Return (General)	Common Ground	Firewall Ground
P	Engine Oil Pressure	Output	Body Builder Supplied sensor, Input on J668
Q	Remote PTO ON/OFF	Input, Active low - 567 only Input 12V(+) - Legacy	Pin A9 of Standard Chassis Module - 567 only Pin 21 on engine ECM on Legacy
R	DEF Lamp Return	Not Used, Cummins ONLY	
S	Regeneration Lamp Return	Not Used, Cummins ONLY	
T	External Regeneration Notif	Output, Active High	External Regen Relay, Controlled by Pin C7 of Optional Chassis Module
U	Common Return (Switch)	Common Switch Ground	Firewall Ground
V	Cruise On/Off	Input Active Low	Pin A8 of Standard Chassis Module
W	Remote Throttle Sensor	Output, 5V (+)	Pin E2 of Standard Chassis Module
X	Remote ECM Power Engine	Input 12V (+)	Pin 87 Remote Run relay

CUMMINS ENGINE 16 PIN CONNECTOR



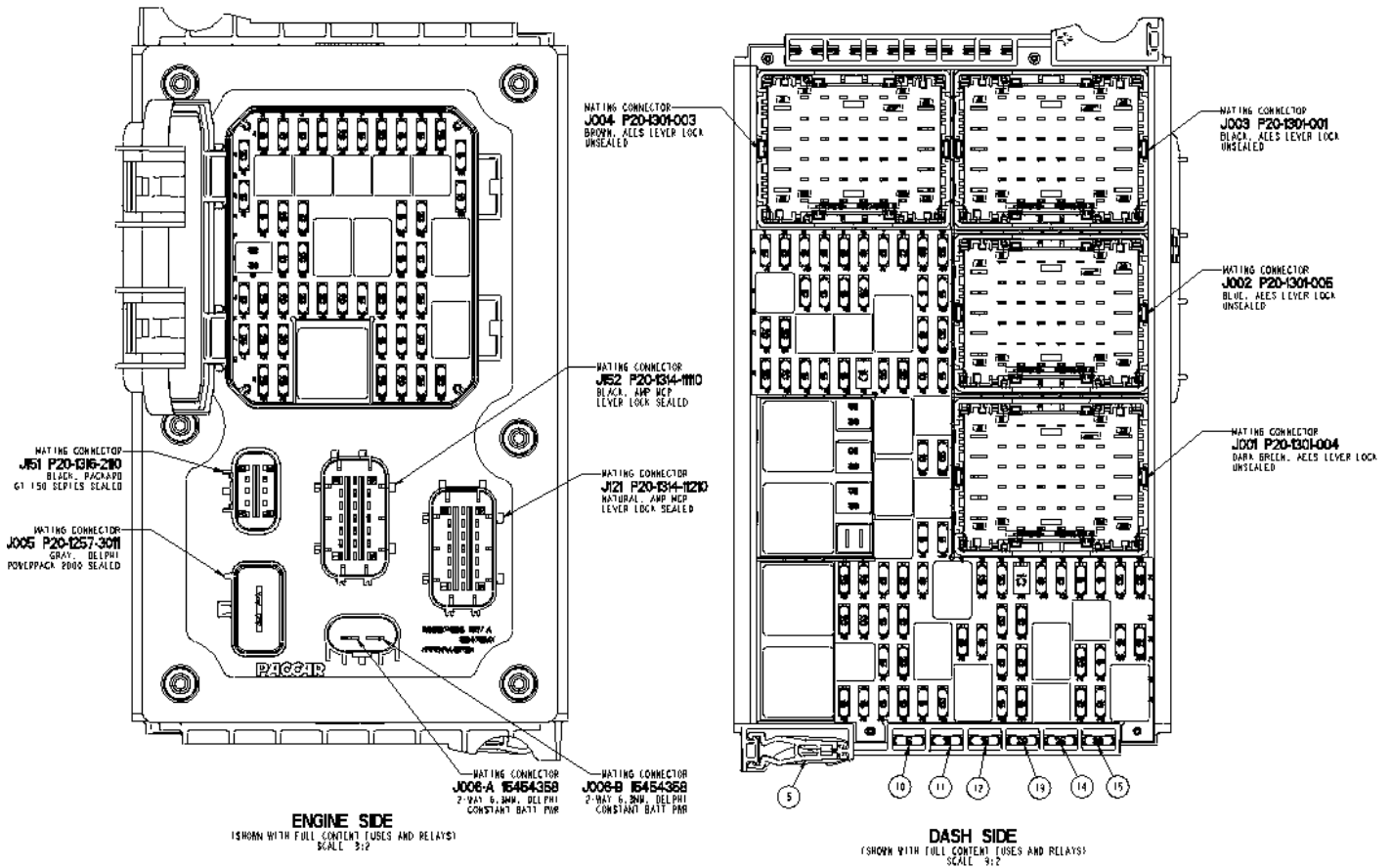
Pin	Description	Input/Output	Destination/Source
A	External Regeneration Notification	Output, Active	Pin C7 From Chassis Module
B	Remote Run	Input 12V (+)	Pin 87A of Remote Run Relay
C	Remote Start	Input 12V (+)	Pin 87 of Remote Start Relay.
D	Remote Throttle Sensor Supply	Output, 5V (+) Supply	Pin 8 Engine ECM
E	Remote Throttle Position	Input Variable 0-5V	Pin 63 of Engine ECM
F	Remote Throttle Return	Analog Sensor Ground	Pin 32 of Engine ECM
G	DEF Lamp Return	Output Active Low	Pin 2 of Engine ECM
H	Regeneration Lamp Return	Output Active Low	Pin 23 of Engine ECM.
J	tachometer (+)	Tachometer Output (+)	Body Builder Supplied Sensor, Input on P669 Pin 1
K	tachometer (-)	Tachometer Output (-)	Body Builder Supplied Sensor, Input on P669 Pin 2
L	Remote ECM Power Engine Run	Input 12V (+)	Pin 87 of Remote Run Relay
M	Engine oil Pressure	Output	Body Builder Supplied Sensor, Input on J668
N	NOT USED	NOT USED	
P	Water Temp	Output	Body Builder Supplied Sensor, Input on J667
R	J1939 K-CAN (+)	K-CAN (+)	Pin 42 of VECU C
S	J1939 K-CAN (-)	K-CAN (-)	Pin 43 of VECU C

CUMMINS ENGINE 23 PIN CONNECTOR

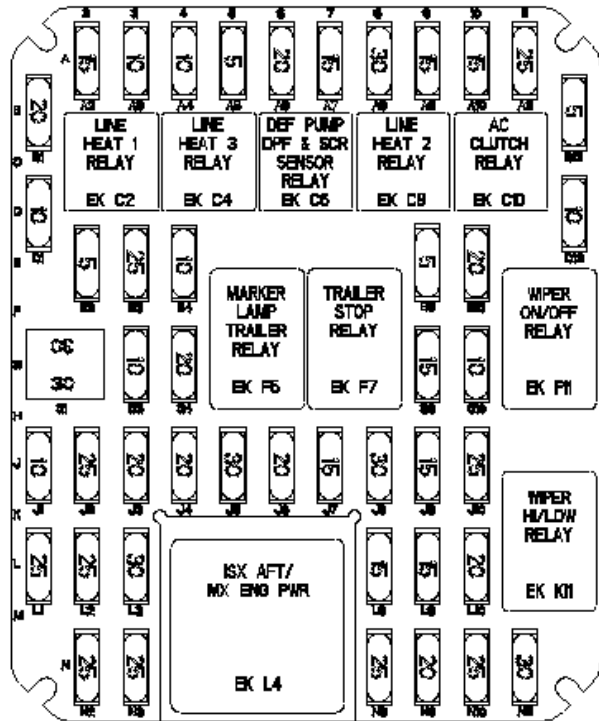


Pin	Description	Input/Output	Destination/Source
A	IGN (Switch) Power	Output 12V (+)	Tied To Pin L of 23-Way Connector. Cab PDC Fuse A9 10A Fused
B	City Horn	Input 12V (+)	Pin 85 of Horn Relay
C	Check Engine Lamp	Output Active Low	Pin 72 of Engine ECM
D	Remote Start	Input 12V (+)	Pin 87 of Remote Start Relay.
E	Remote Throttle Return	Analog Sensor Ground	Pin 32 of Engine ECM
F	Remote Enable	Input 12V (+)	Pin 85 of Remote Start Relay. Pin 85 of Remote Run Relay
G	Remote Resume	Input Active Ground	Pin 19 of Engine ECM
H	Remote Set	Input Active Ground	Pin 12 of Engine ECM
J	Remote Throttle Position	Input, Variable 0-5V	Pin 63 of Engine ECM
K	Remote Run	Input 12V (+)	Pin 87A of Remote Run Relay
L	IGN (Switch) Power	Output 12V (+)	Tied To Pin A of 23-Way Connector. Cab PDC Fuse A9 10A Fused
M	J1939 K-CAN (-)	K-CAN (-)	Pin 43 of VECU C
N	J1939 K-CAN (+)	K-CAN (+)	Pin 42 of VECU C
O	Common Return (General)	Common Ground	Pin 57 of Engine ECM
P	Engine Oil Pressure	Output	Body Builder Supplied sensor, Input on J668
Q	Remote PTO ON/OFF	Input, Active Low	Pin 94 Engine ECM. Pin 85 of Eaton PTO Relay. Pin 85 of PTO Hour Meter Relay
R	DEF Lamp Return	Output, Active Low	Pin 2 of Engine ECM
S	Regeneration Lamp Return	Output, Active Low	Pin 23 of Engine ECM.
T	External Regeneration Notification	Output, Active	Pin C7 of Chassis Module
U	Common Return (Switch)	Common Switch Ground	Pin 62 of Engine ECM
V	Torque Limit Switch	Input Ground	Pin 93 Engine ECM
W	Remote Throttle Sensor Supply (+5V)	Output 5V (+)	Pin 8 Engine ECM
X	Remote ECM Power Engine Run	Input 12V (+)	Pin 87 Remote Run relay

POWER DISTRIBUTION CENTER

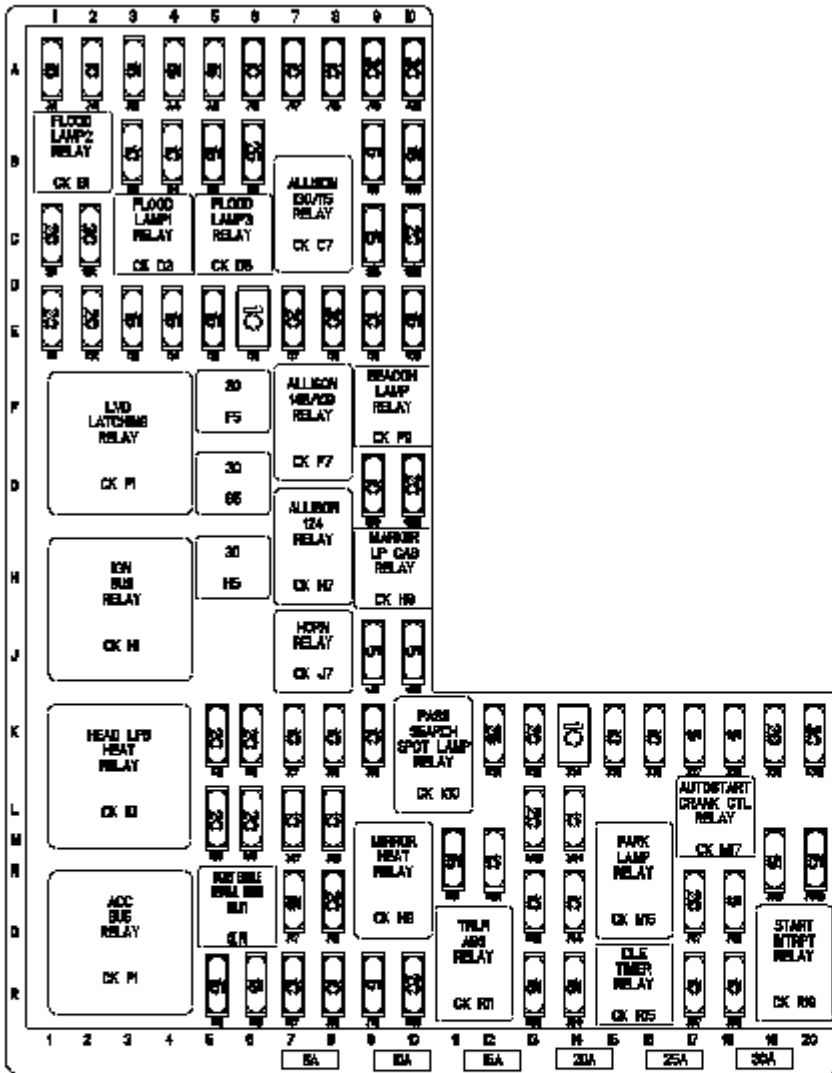


Engine Side Fuse Box Full Content Population



FUSE ID	FUSE AMP	TRACE RATING	DESCRIPTION
A2	15A	20A	LINE HEAT 1 (PRESSURE) -PWR
A3	10A	10A	ALLISON/AUTO/ULTRASHIFT
A4	10A	10A	CHASSIS MODULE
A5	5A	5A	LINE HEAT 3 (SUCTION)
A6	20A	20A	HDL P LH HI/BRAKE
A7	15A	15A	DEF PUMP/DPF/SCR
A8	30A	30A	CAB ABS
A9	15A	15A	LINE HEAT 2 (BACKFLOW) -PWR
A10	15A	15A	AUX TRAN/LIFT PUMP
A11	25A	25A	WIPER MOTOR
B1	20A	20A	EXT REGEN / SPARE IGN
B12	5A	5A	HVAC HEAD PWR / DOOR AJAR
B1	10A	10A	ACC RADAR/TPMS
B12	10A	10A	AC CLUTCH RELAY - PWR
E2	2A	5A	MX ENG ECU WAKE (ENG SD)
E3	25A	25A	OCM F6
E4	10A	10A	MUX SOL BANK 2
E9	5A	15A	MX LPC/CUM ICM PWR
E10	20A	20A	CCV PWR - 20A BATT
G1	30A JCASE	30A JCASE	HVAC BLDC MOTOR
G3	10A	10A	MUX SOL BNK 1
G4	20A	20A	OCM F4
G9	15A	15A	ISX AFT / MX ENGINE PWR
G10	10A	10A	VECU BATT PWR 1
J1	10A	10A	CAB ABS PWR -10A IGN
J2	25A	25A	RH HDLP LO/DRL/PRK
J3	20A	20A	LH HDLP LO/DRL/PRK
J4	20A	20A	SCM F7
J5	30A	30A	TRLP MARKER RELAY-PWR
J6	20A	20A	OCM F5
J7	15A	15A	BACKUP LAMP
J8	30A	30A	TRAILER STOP RELAY-PWR
J9	15A	15A	VTG
J10	25A	25A	WIPER ON CTL
L1	25A	25A	QUALCOMM TRLR TRACKS
L2	25A	25A	HDL P RH HI/FOG/DRL
L3	30A	30A	AUTO TRANS
L8	15A	15A	AFT/NOX/VISFD
L9	15A	15A	MX ENG ACC PWR
L10	20A	20A	TRICAN/DEF CTL/DOSER
N2	25A	25A	SCM F5
N3	25A	25A	SCM F6
N8	25A	25A	FRAME FUEL HEATER
N9	20A	20A	MX ENGINE PWR 1
N10	25A	25A	MX ECM
N11	30A	30A	MX PC12/CUM ECM

Dash Side Fuse Box Full Content Population



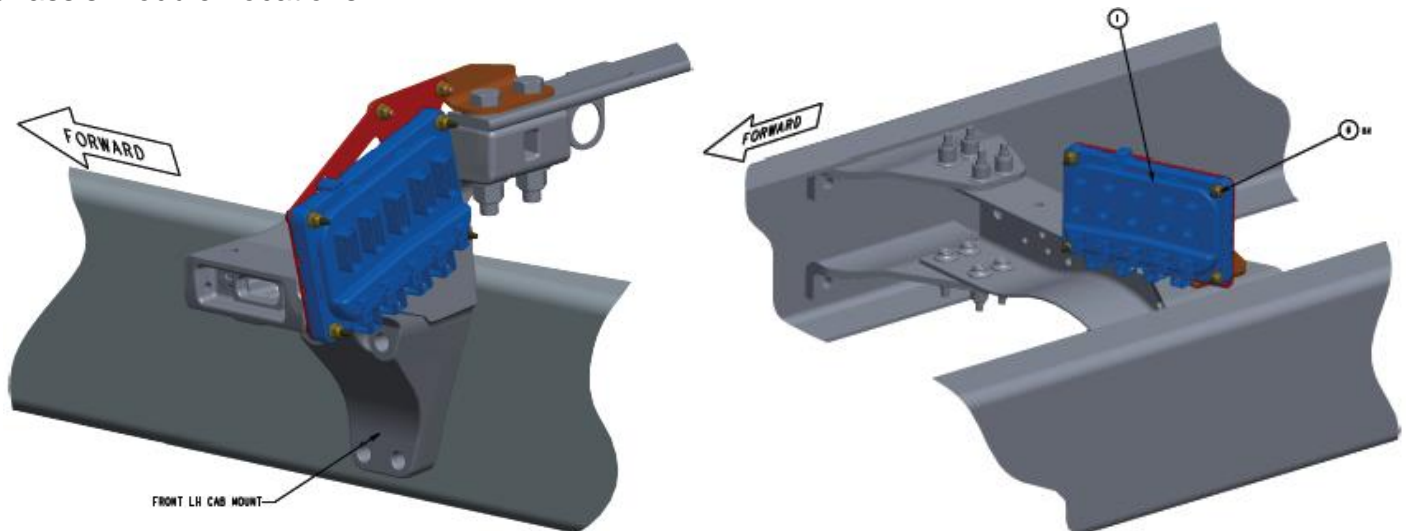
FUSE ID	FUSE AMP	TRACE RATING	DESCRIPTION
A1	15A	15A	FLOOD LAMP 2
A2	15A	20A	SPDT LAMP
A3	15A	15A	FLOOD LAMP 1
A4	15A	15A	FLOOD LAMP 3
A5	15A	15A	FLOOD BEACON PWR
A6	10A	10A	BODY IGH
A7	10A	20A	PP1226 IGH
A8	10A	20A	PP1226 BATT
A9	30A	30A	SLEEPER PDC 1
A10	30A	30A	SLEEPER PDC 2
B3	10A	10A	GAUGE CLUSTER
B4	10A	10A	VLCU BATT PWR 2
B5	15A	15A	SPARE BATT 4
B6	25A	25A	PADGAP AM1/SPARE BATT
B9	5A	5A	USM/SMARTWHEEL
B10	15A	15A	SPARE BATT 3
C1	20A	20A	DRIVE CAM BATT PWR
C2	30A	30A	SPARE ACC 7
C4	15A	15A	CB/RADIO POWER
C10	20A	20A	DCM F1
C1	20A	20A	DRIVE CAM IGH PWR
C2	20A	20A	CAMERA WIPERS BATT PWR
C3	15A	15A	SPARE LVD 2
C4	15A	15A	POWER PORT 1
C5	15A	15A	POWER PORT 2
C6	10A	10A	CAB DOME LP 4
C7	20A	20A	SPARE LVD 1
C8	30A	30A	RADIO AMPLIFIER
C9	10A	10A	DUAL COMM-BATT
C10	15A	15A	DCM F2
G5	3A 10A	3A 10A	RH DOOR MOD
G5	3A 10A	3A 10A	SLEEPER PDC 3
G9	10A	10A	COAST
G10	20A	20A	TELEMATICS
H5	3A 10A	3A 10A	LH DOOR MOD
J8	5A	5A	DIAGNOSTIC POWER
J10	5A	5A	VLCU LVD V SENSE
K5	20A	20A	LH HEADLAMP HEATER
K6	20A	20A	SPARE BATT 2
K7	10A	10A	HORN RELAY - PWP
K8	10A	10A	CAB WAKEUP PWR 1
K9	10A	10A	HADLEY BATT PWR
K12	25A	25A	MX ON ENG FUEL HT
K13	20A	20A	SPARE IGH 1
K14	10A	10A	ETRAQ VALVE 4
K15	10A	10A	VLCU STOP LAMP SW
K16	10A	10A	PARK LAMP CAB PWR 1
K17	5A	5A	VLCU 7 DIGITAL DISPLAY IGH PWR
K18	5A	5A	RH STALK SHIFTER
K19	20A	20A	DCM F3
K20	30A	30A	TRAILER HOT LINE
M5	20A	20A	RH HEADLAMP HEATED
M6	20A	20A	SPARE BATT 3
M7	10A	10A	SPLICE FEED IGH
M8	10A	10A	RH HEATED SEAT
M13	20A	20A	SPARE IGH 2
M14	10A	10A	SIGN LAMP SW
M11	15A	15A	RH W/PROP HEAT
M12	10A	10A	LH HEATED SEAT
M13	15A	15A	LH MIRROR HEAT
M20	15A	15A	PARK LAMP TRLR PWR
P5	15A	15A	DIGITAL WIPERS BACKUP
P6	15A	15A	DIGITAL WIPERS
P7	15A	15A	AIR DRYER
P8	20A	20A	LED FOG/DR COMBO L15
P19	10A	10A	GAUGE CLUSTER
P14	10A	10A	DIGITAL DISPLAY BATT PWR 2
P17	20A	20A	SPARE BATT 1
P18	5A	5A	HYAC HEAD ACC
P7	10A	10A	SPARE ACC 6
P8	10A	10A	REMOTE DIAG
P9	5A	5A	VLCU ACC PWR
P10	20A	20A	SPARE ACC 1
P13	15A	15A	SPARE ACC SW 3.465
P14	15A	15A	SPARE ACC SW 1.82
P17	10A	10A	SPARE ACC 4
P18	10A	10A	RADIO WAKE UP

* DENOTES OPTIONAL POLYSWITCH

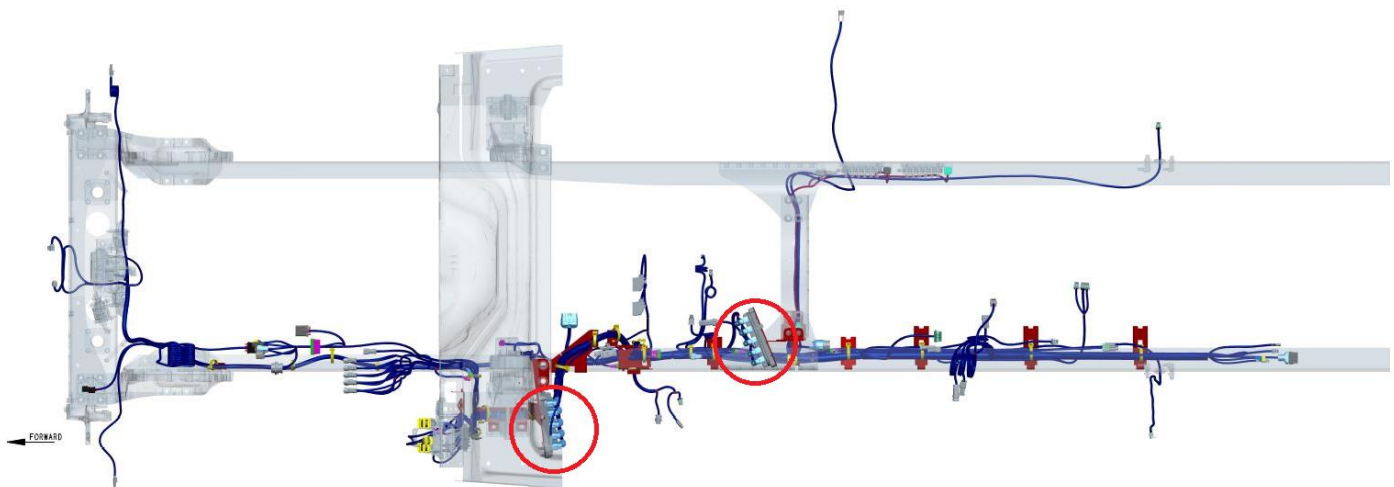
CHASSIS MODULE

There will be two standard chassis modules with one primary chassis module on all trucks and a secondary for optional content. The primary chassis module will be mounted under the cab on the left hand side of the over-bell mounting bracket. The secondary optional chassis module will be located above the rail on the left hand side on the back of cab crossmember. There are hardware and software based protections to prevent damage. The standard chassis modules will generate and store faults to free up space for the VECU. The standard chassis module can be diagnosed through DAVIE service tool.

Chassis Module Locations



Plan View of Chassis Module Locations



CHASSIS MODULE FUNCTION DESIGNATION

Primary Chassis Module

- Exterior Lighting: Headlamps, Park/Tail, Turn, Brake, DRL, Reverse etc.
- Axle Temperature Sensor Inputs Front Rear and Rear
- Ammeter Sensor Input
- Secondary Kingpin Release Solenoid Control
- Primary/Secondary Fuel Level Sensors
- Lift Axle Air Solenoid Controls 1st, 2nd
- Primary Transmission Neutral Position Switch
- Remote PTO/Throttle Control Inputs
- J-CAN Multiplexed EOA Solenoid Bank Control
- Fuel Filter Gauges
- Main Transmission Oil Temp
- PTO 1 Activation

Secondary Chassis Module

- External Notification of DPF Regeneration
- AT1202 Aux Trans Neutral Switch
- Axle Temperature Gauges Center Rear
- Lift Axle Air Solenoid Controls 3rd , Tag (Rocker Panel Controls)
- NAMCO/FABCO Splitshaft PTO/Transfer Case Sensors
- Aux Transmission Temperature Sensor
- Split Shaft PTO Temperature Sensor
- Fuel Temp Sensor (Auto Start)
- Chicken/Panel Lamps, Snow Plow Lamp
- ISO 3731 Spare Outputs
- B-CAN
- Auto Start/Stop Hood Tilt Switch
- City Horn
- PTO 2, 3, & 4 Activation

FUSE GROUPS

PRIMARY CHASSIS MODULE

Fuse Group	Function
F1	Electric Over Air Solenoid Kingpin Release
	Main Beam (aka High Beam) - LH
	Tractor Direction Indication and Hazard Lights - RH Rear (Brake Lamps Also)
F2	Tractor Direction Indication/Hazard/DRL Lights - LH Front
	Front Tractor Position lights (Park Lamps)
	Tractor Direction Indication Hazard Side Turn Indicator LH Front
	Dipped Beam (aka Low Beam) - LH
F3	Lift Axle #2 Solenoid
	Daytime Running Lights (DRL) Peterbilt - LH
	Tractor Direction Indication/Hazard/DRL Lights - RH Front
	Tractor Direction Indication Hazard Side Turn Indicator RH Front
	Dipped Beam (aka Low Beam) - RH
F4	Daytime Running Lights (DRL) Peterbilt - RH
	Main Beam (aka High Beam) - RH
	Fog/Driving Lights (Front) 1st Set
F5	Reverse Warning (aka Backup Alarm)
	(Rear) Direction Indication and Hazard Lights - LH Trailer
F6	Rear Tractor Position lights (Park Lamps)
	Reverse Lamps
	Tractor Direction Indication and Hazard Lights LH Rear (Brake Lamps Also)
F7	LVD Bipolar Output 1
	LVD Bipolar Output 2
	Lift Axle #1 Solenoid
	(Rear) Direction Indication and Hazard Lights - RH Trailer

SECONDARY CHASSIS MODULE

Fuse Group	Function
F1	Work Lights 1st Set (Frame mounted Flood Light Options without pass-through grommet)
F2	Aftertreatment External Notification
F3	Sky/Auxiliary lights
	Snowplow Lamps OR Dual Station
F4	Lift Axle #3 Solenoid
	Trailer Options - ISO 3731/Spare OR Additional 4/6/7-Way Trailer Connections OR Berg Box
F5	Lift Axle #4 (Tag) Solenoid
	Trailer Options - ISO 3731/Spare OR Additional 4/6/7-Way Trailer Connections OR Berg Box
F6	Trailer Options - Trailer Dump Gate Coiled BOC OR Configurable Output
	Trailer Options - ISO 3731/Spare OR Additional 4/6/7-Way Trailer Connections OR Berg Box

VECU

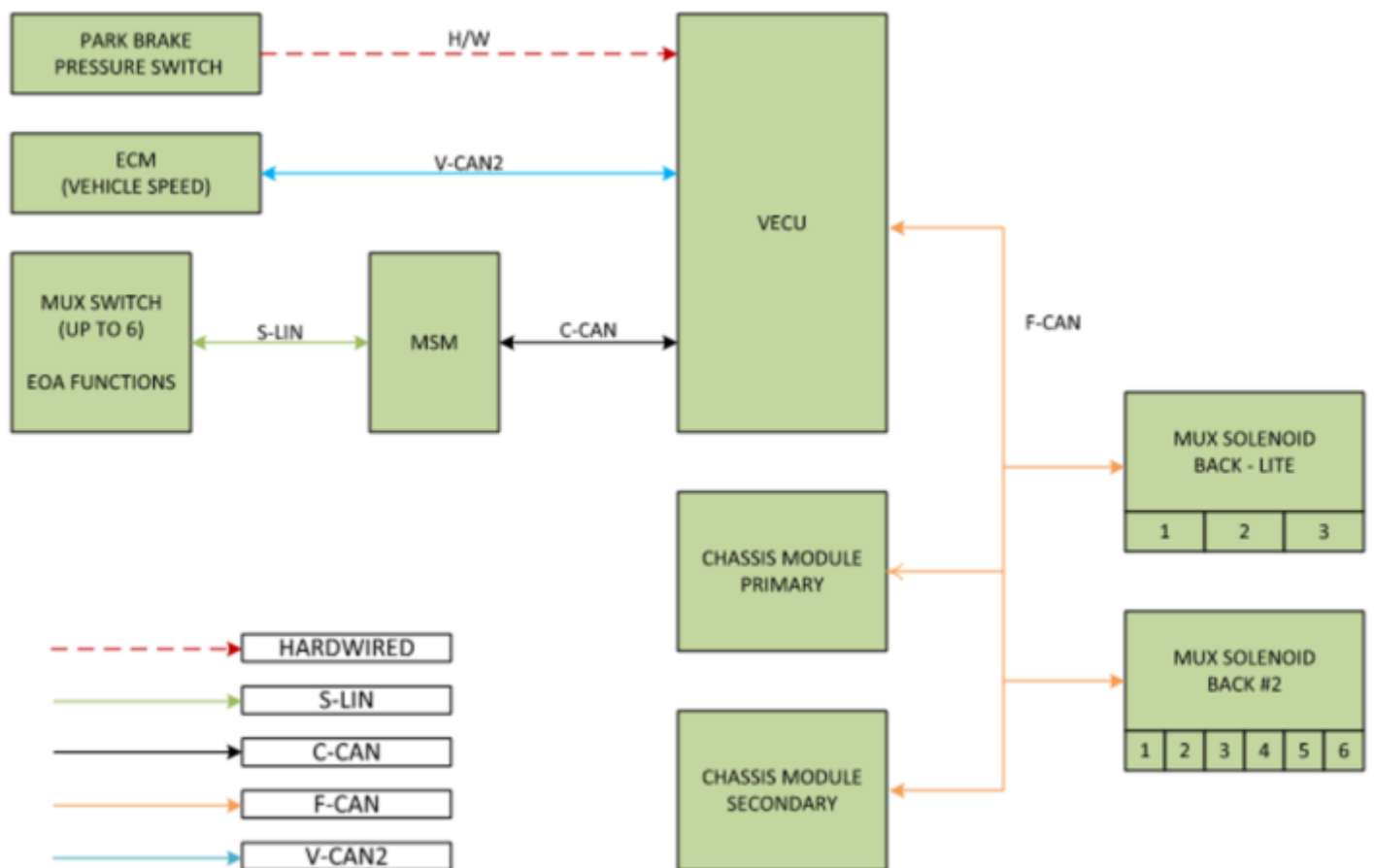
Fuse Group	Function
F1	Peterbilt Driving Lights
	Inside/Outside Air Filter Control
	Starter Interrupt / Start Enable Relay Control
	Mirror Heat Relay
	Cab Dome Lamp
	Sleeper Dome Lamp
	Trailer Marker/Clearance Lamps
	Supply KL-30
F2	Recirculating Header Fan - Low Speed
	Trailer Hotline Relay
	Work Lights (Flood Lamps) 2
	Work Lights (Flood Lamps) 3
	Allison MTD PTO Controls - PTO 2
	Allison MTD PTO Controls - PTO 1
	Passenger Spot Lamp
	Work Lights (Flood Lamps) 1
	Beacon/Strobe
	Trailer Brake Lamps
	Trailer/Cab Park Lamps
	Recirculating Header Fan - High Speed
	Digital Vision System – Mirrors (DVS-M)
	Start Signal
	Right Hand Steer
	LED Headlamps Heater
	PTO Engaged Output for PTO Hour Meter and PTO Telltale
	Footwell Lamp
	Supply KL-30
	Sensor Supply 5V
F3	Cab Marker/Clearance Lamps Relay Output
	Washer Pump Control
	Auxiliary Lamps/ Chicken Panel Lamps
	MCS (Power)
	Windshield Wiper Control
	Supply KL-30
F4	Dash PWM Backlighting
	Dash Illumination 2
	Ignition Timer Relay Control

ELECTRIC OVER AIR SOLENOIDS

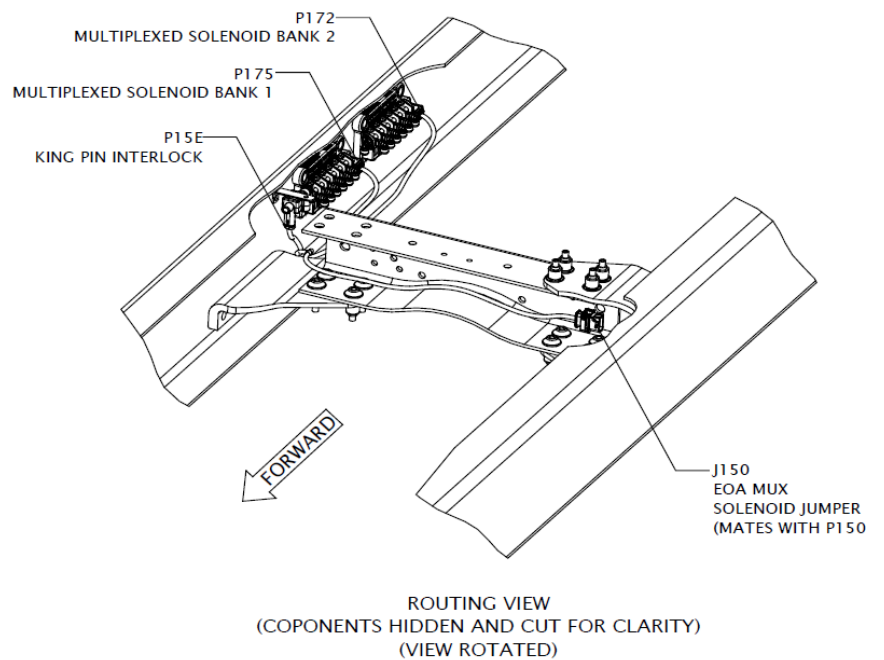
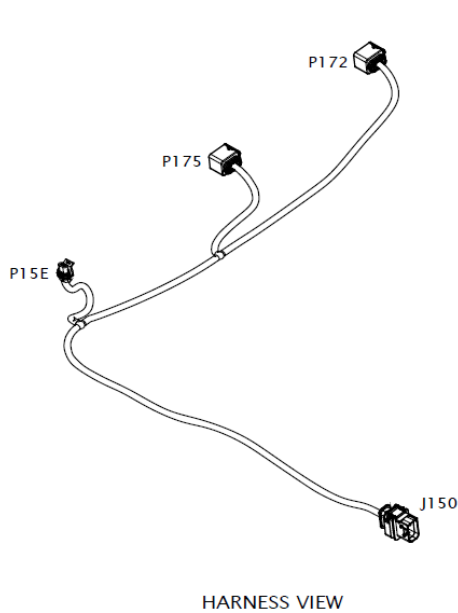
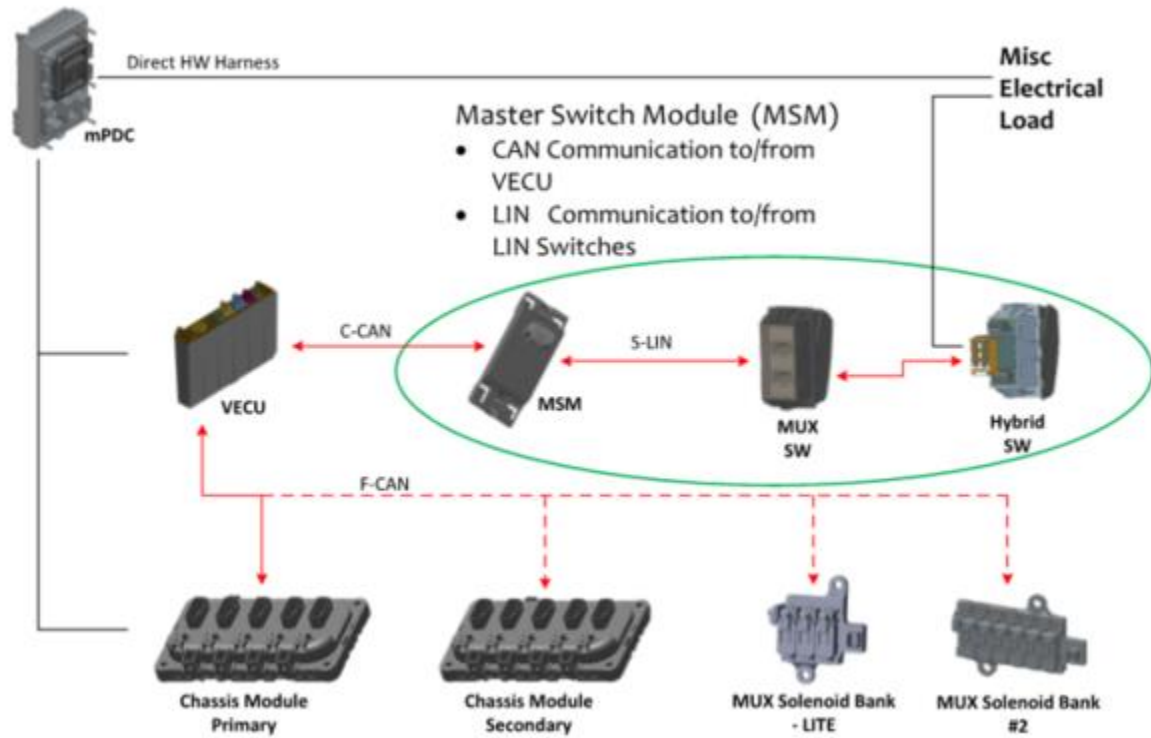
Air solenoids are devices that translate the electrical signal into physical functions that controls the air pressure in various circuits. The air solenoids are mounted to a bracket outside the cab. The solenoids are designed to stack on each other so that they share a common air supply which reduces the amount of air lines on the vehicle.

The aftermarket installer/final vehicle manufacturer needs to decide what type of valve to install and ensure that the documentation to the operator provides them with enough understanding of how the customized switches work.

SOLENOID BANK DIAGRAM

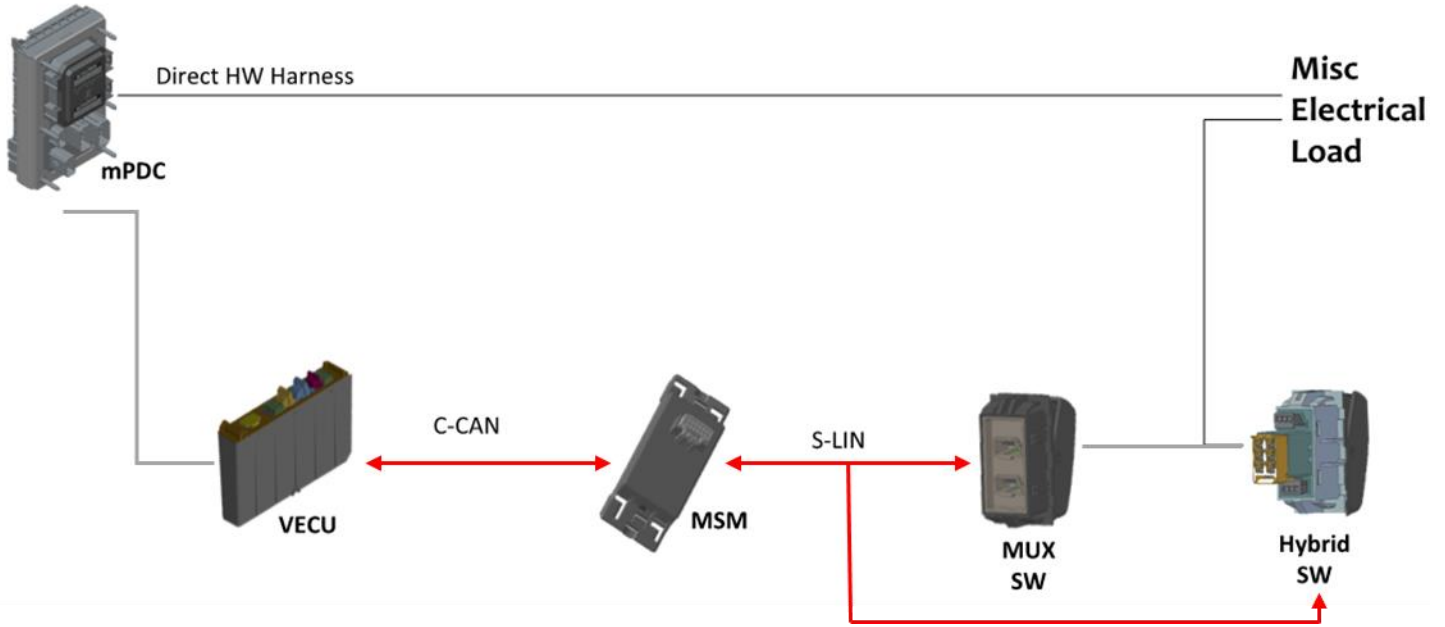


Overview Layout



SWITCHES

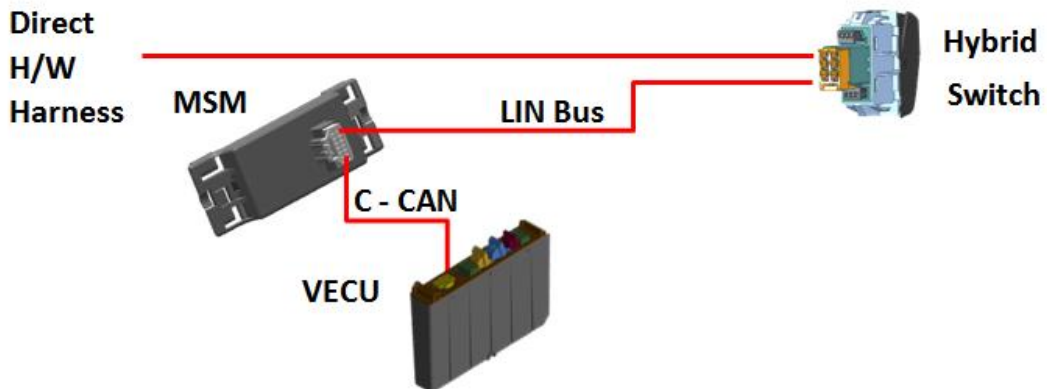
Overview Layout



Multiplexing = shorter wire bundles, improved diagnostics, and greater driver feedback. Safety critical switches use hybrid switch with hardwire for redundancy. The switches are less expensive with fewer wires behind the dash and on the chassis. The switches are self-diagnosable to improve troubleshooting with DAVIE.

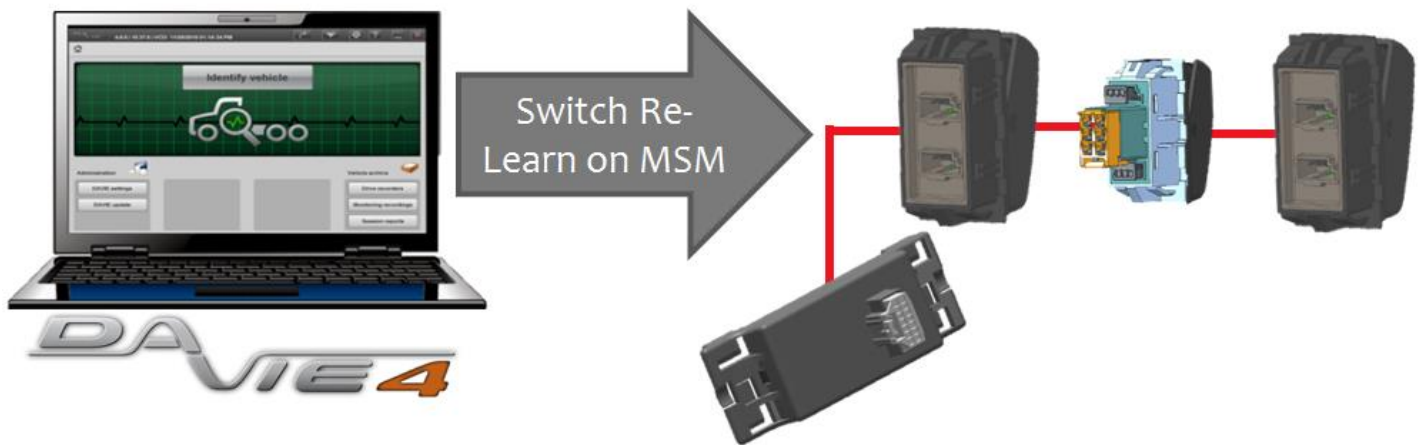
- Master Switch Module (MSM)
- LIN Communication to/from Switches
- CAN Communication to/from VECU

SPARE SWITCHES



Spare switches offer customers and body builders a convenient way to control power and air to various sources, like a body or trailer. They should be flexible and easily configurable to meet the vast and unique needs of body builders.

SWITCH RELEARN PROCESS



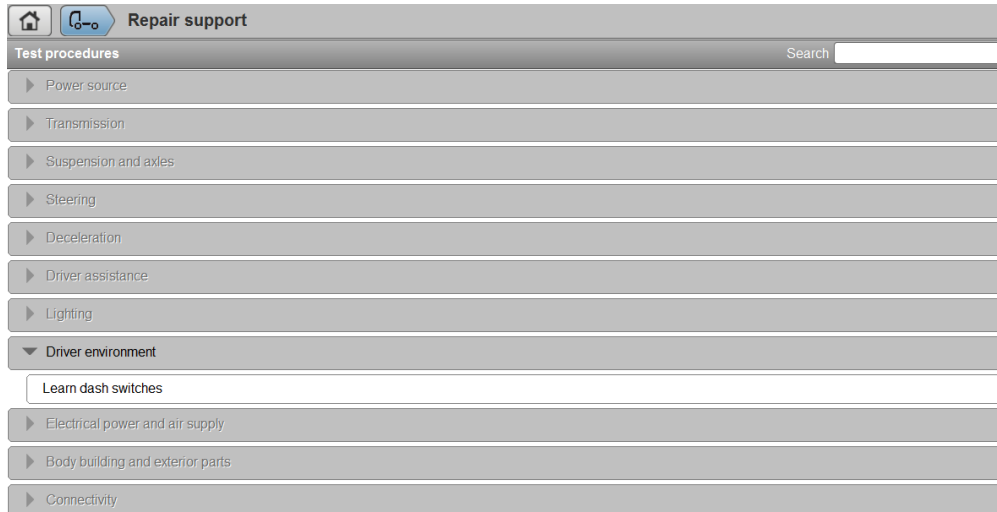
Switch replacement installation instructions:

1. Turn off the engine and all switches
2. Remove dash panel
3. Unplug LIN jumpers from the original existing switch
4. Remove original switch
5. Replace the old switch with the new switch
6. Reconnect LIN jumpers into the replacement switch
7. Reinstall the dash panel
8. Open the DAVIE4 application and connect to the truck and identify the vehicle
9. Select the "Repair Support" tab.
10. Select the "Driver Environment" tab
11. Select the "Learn Dash Switches"
12. When prompted by DAVIE Cycle the key on and then off
13. Run "Quick Check"
14. Clear Inactive DTCs (Diagnostics trouble code) from MSM
15. Finished

New switch installation instructions:

1. Turn off the engine and put all switches into the off position
2. Remove the dash panels
3. Remove the switch blank
4. Add the new switch into the dash panel
5. Connect the LIN jumper between the last open switch to the newly installed switch
 - a. Part Number S92-1127-0125
6. Reinstall the dash panel
7. Open the DAVIE4 application and connect to the truck and identify the vehicle
8. Select the "Repair Support" tab.
9. Select the "Driver Environment" tab
10. Select the "Learn Dash Switches"
11. Cycle the key on and then off
12. Run "Quick Check"
13. Clear Inactive DTCs (Diagnostics trouble code) on the MSM
14. Finished

DAVIE Switch Relearn Screen View



Switch Location

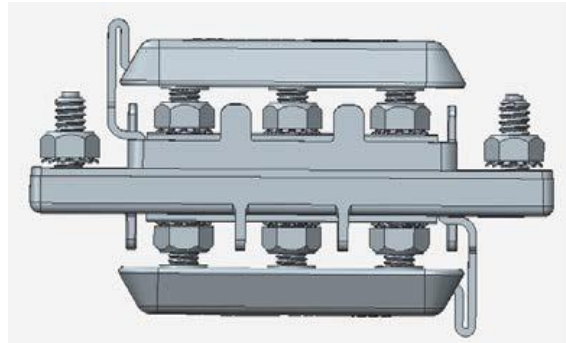
Switches on the same LIN bus can be reordered in any configuration without the need to run a relearn process with DAVIE4. Switches that are swapped across LIN busses will need to be relearned with DAVIE4. LIN bus 1 consists of all the switches on the D panel and B panel. LIN bus 2 consists of all the switches on the C panels.

Dash layout

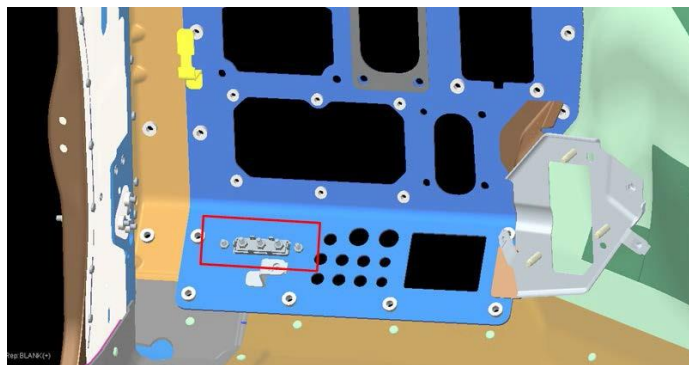


GROUNDING

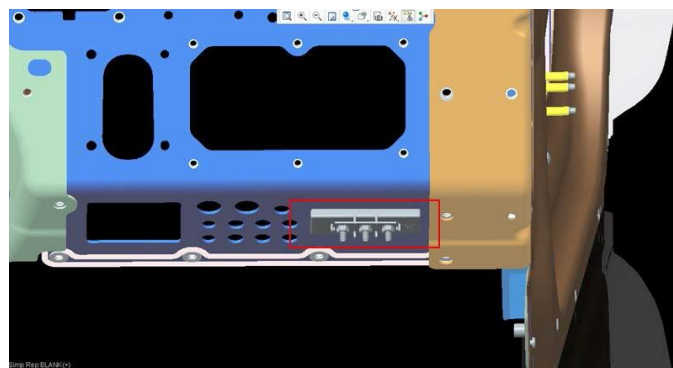
Grounding any post-OEM component/device/apparatus/etc. to the metal cab structure or frame is not acceptable. Failure to properly ground add-on components can result in vehicle damage and possibly bodily injury. Ground all post-OEM component/device/apparatus/etc. with combined current draw of less than 30A to the firewall ground buss bar with appropriately sized wire/cable for the load required.



Grounding Buss Bar Design



Grounding Point - Cab Interior Behind Driver's Side Kick Panel

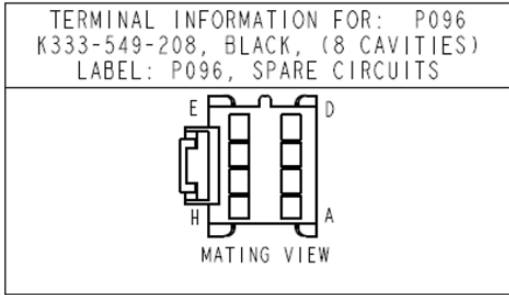


Grounding Point - Cab Exterior LH Side of Firewall

Post OEM components/devices/apparatus/etc. with combined current draw in excess of 30A, ground must be attained from vehicle batteries directly with appropriately sized wire/cable for the load required.

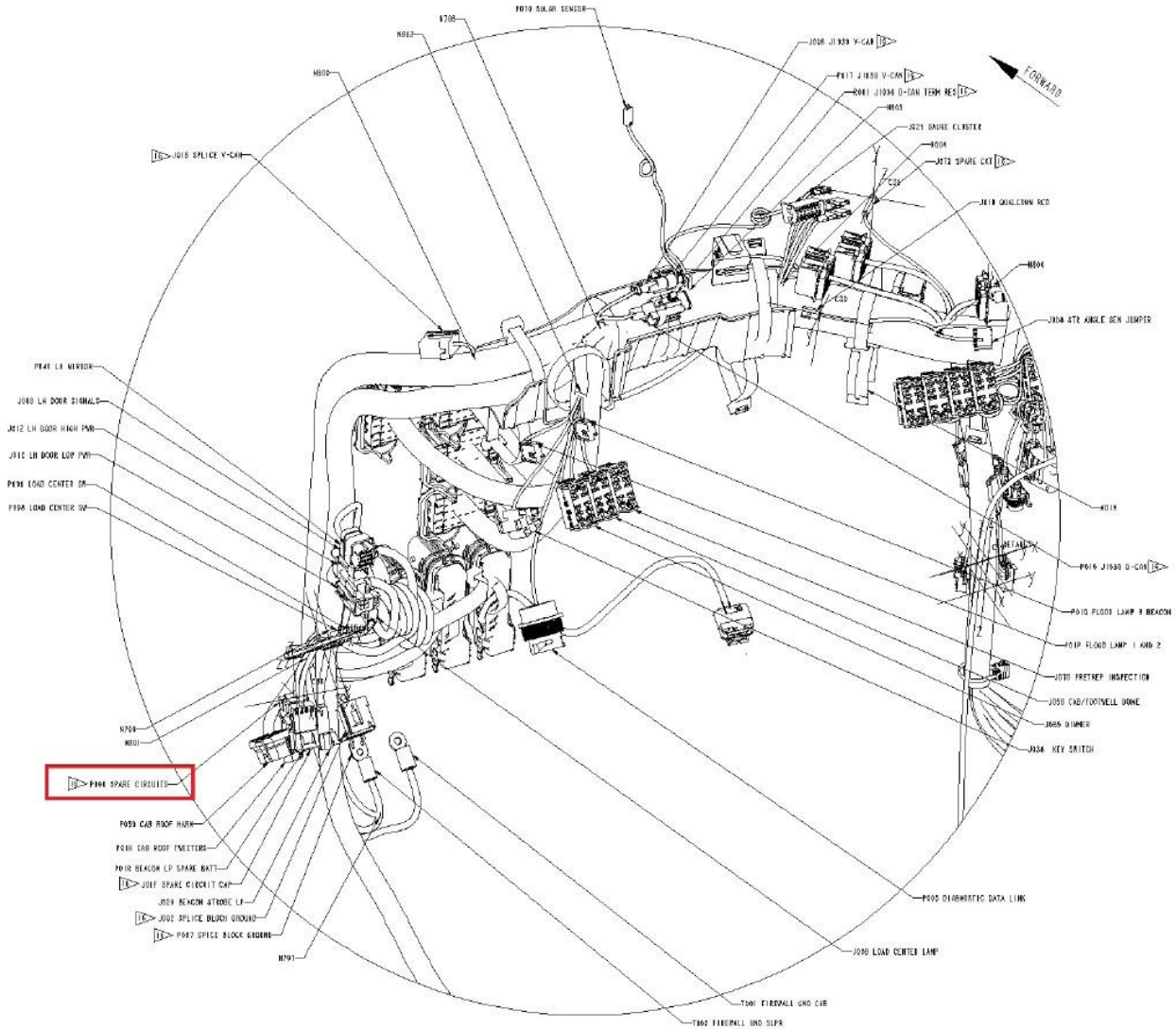
SPARE POWER

Spare power connector P096 is located on lower left side of dash behind key switch or kick panel. The mating harness is available from PACCAR parts with pre-labeled pigtails, P92-8916-000000001. Any spare power requiring more than 20 amps must go directly to the battery box, not this spare circuit.



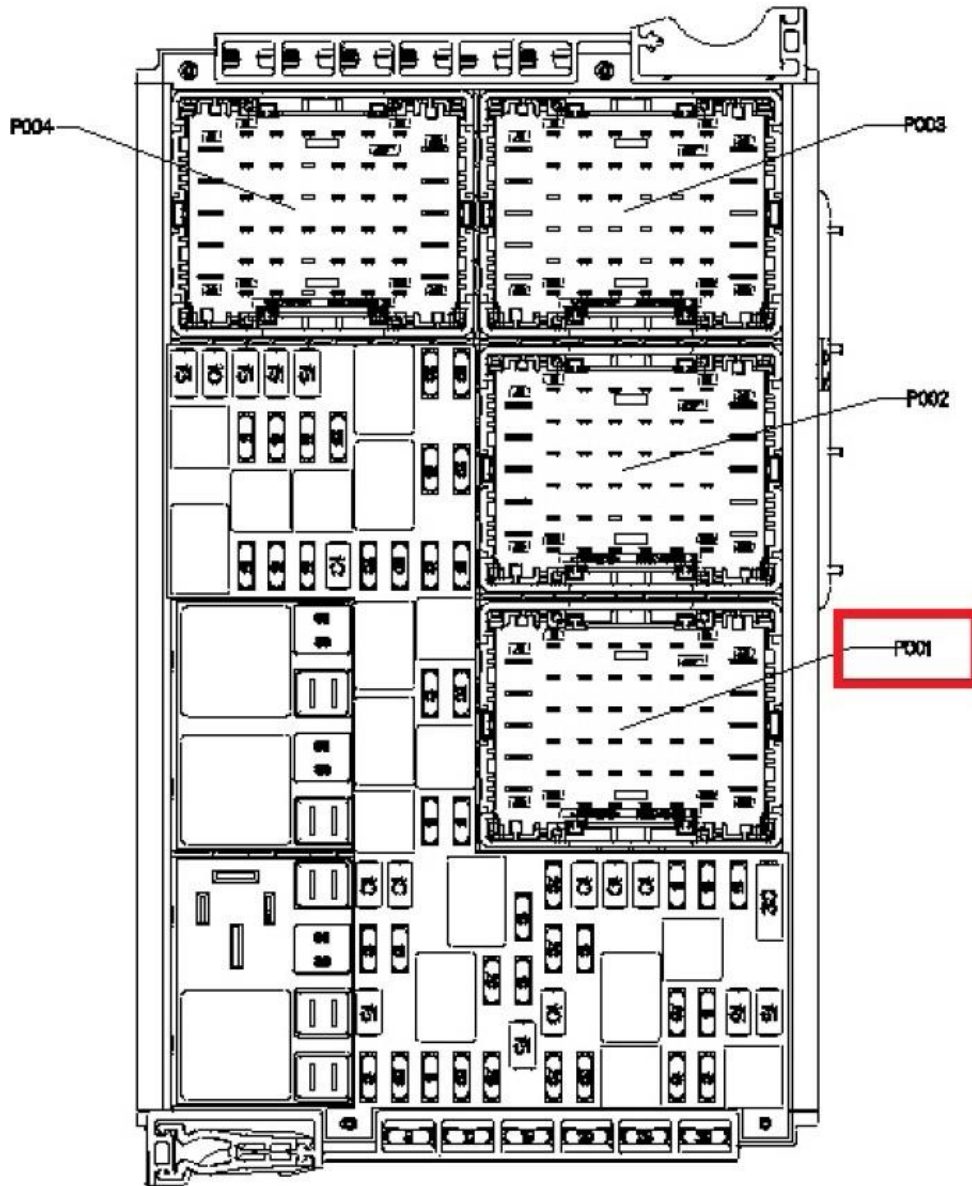
TERMINAL INFO: P096			
CAVITY	CIRCUIT NO.	PLT	
A	RED0711-1	SN	Spare Battery 1 / Fuse Cab Side P17 - 20A
B	RED0711-7	SN	Spare Constant Power 1 / Fuse Engine Side E10 - 20A
C	ORN0752-4	SN	Spare ACC 1 / Fuse Cab Side R10 - 20A
D	WHT1515-2	SN	Spare GND 1
E	ORN0731-9	SN	Spare IGN 1 / Fuse Cab Side K13 - 20A
F	ORN0731-8	SN	Spare IGN 2 / Fuse Cab Side E3 - 20A
G	ORN0791-4	SN	Spare LVD 1 / Fuse Cab Side E7 - 20A
H	BRN2620-5	SN	Spare Backlight

Spare Circuit Connector and Pinout Details

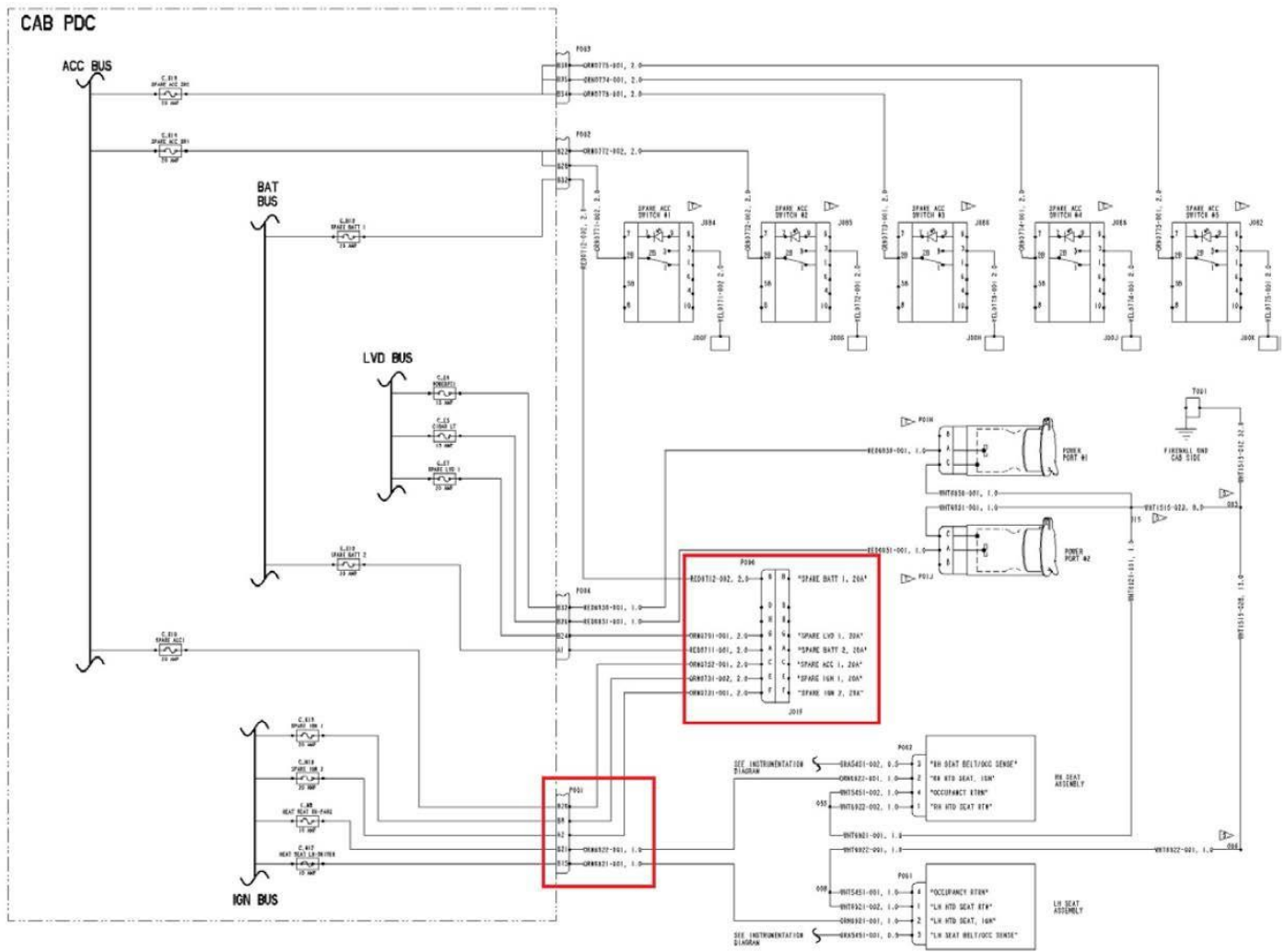


Spare circuit location under-dash P096

DASH SIDE



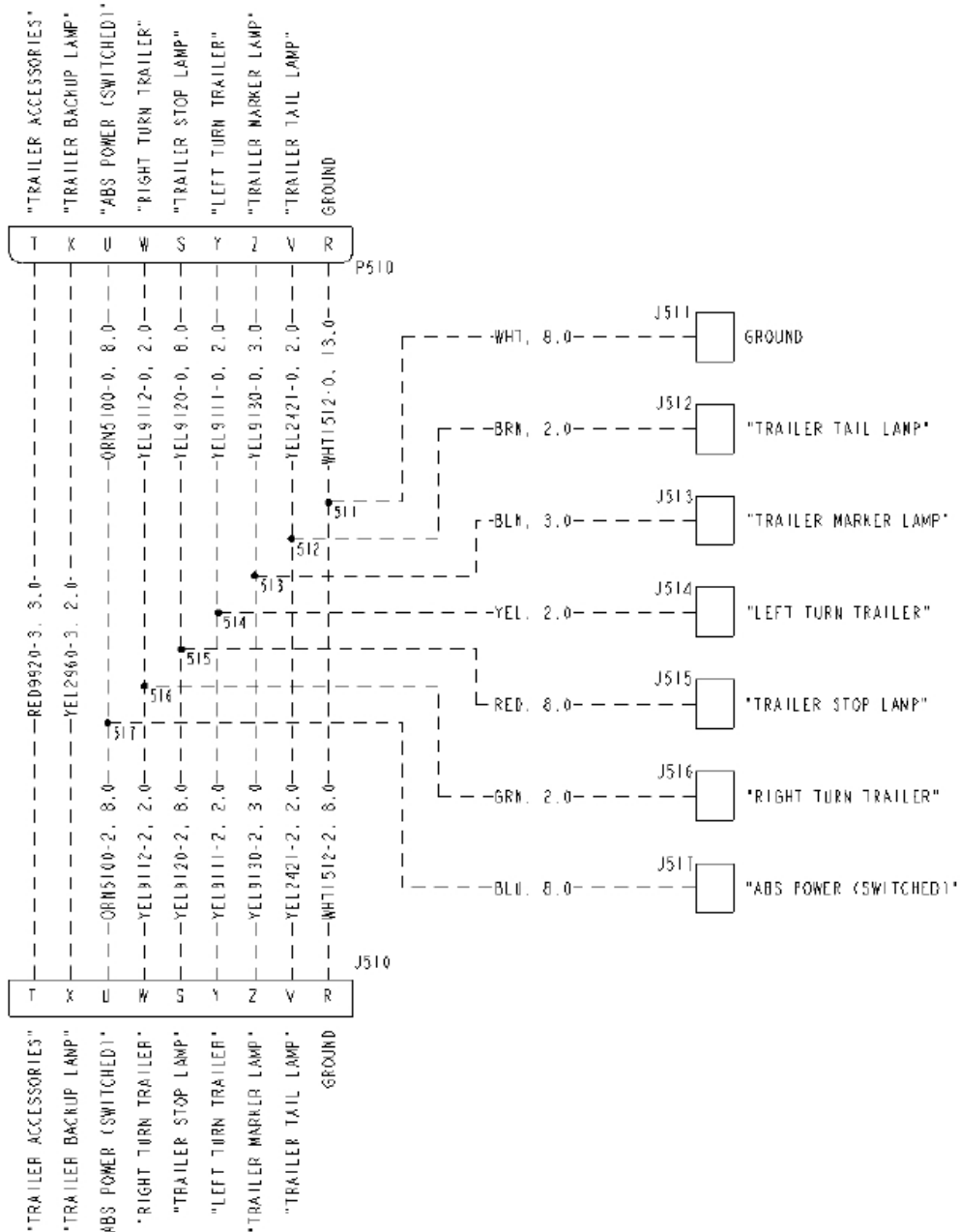
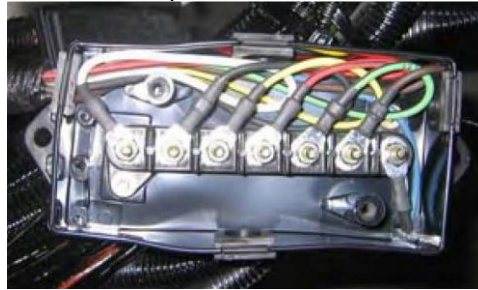
Spare circuit location on Power Distribution Center (Dash-Side, P001)



Spare circuit diagram (P001 and P096)

JUNCTION BOX

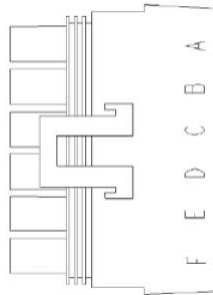
The junction box provides access to lighting signals. The standard wiring for this code is as follows: Park terminal, marker lamp, stop, ground, turn RH, turn LH & a trailer abs line. Trailer hot line is fused for 25 Amps. Wiring of the junction box contains same circuits that are included in a J560 receptacle.



Junction Box BOC or EOF

TRANSMISSION BACK UP SIGNALS

The back-up signal can be accessed from pin D of the 6-way tail light connector located at the end of frame. The tail light connector is a 6-way connector located in the chassis harness at the end of frame. It will either be connected to a tail light, a jumper harness, or tied up in the rail if no tail lights are provided.

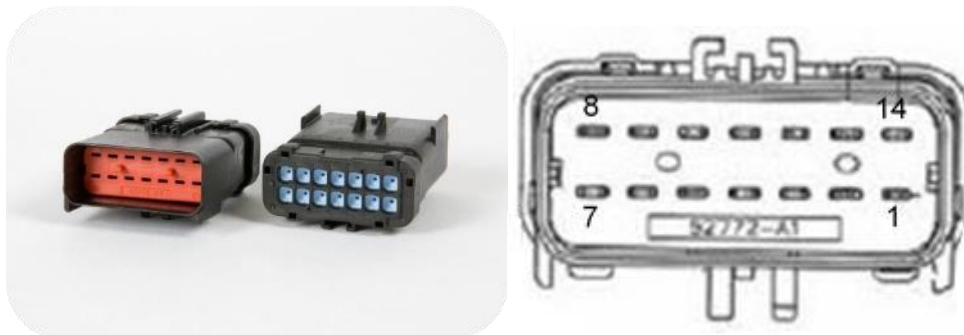


PIN	CIRCUIT DESCRIPTION
A	Park Lamp
B	Left Turn/Stop Lamp
C	Right Turn/Stop Lamp
D	Backup Lamp
E	Aux Chassis
F	Ground

Mating Connector: Packard PN 12020786

SNOW PLOW LIGHTING

When the optional switch and wiring for snow plow lights are ordered, the truck will include a switch on the dash to control the snow plow lights and a body builder connection at the front of the chassis.

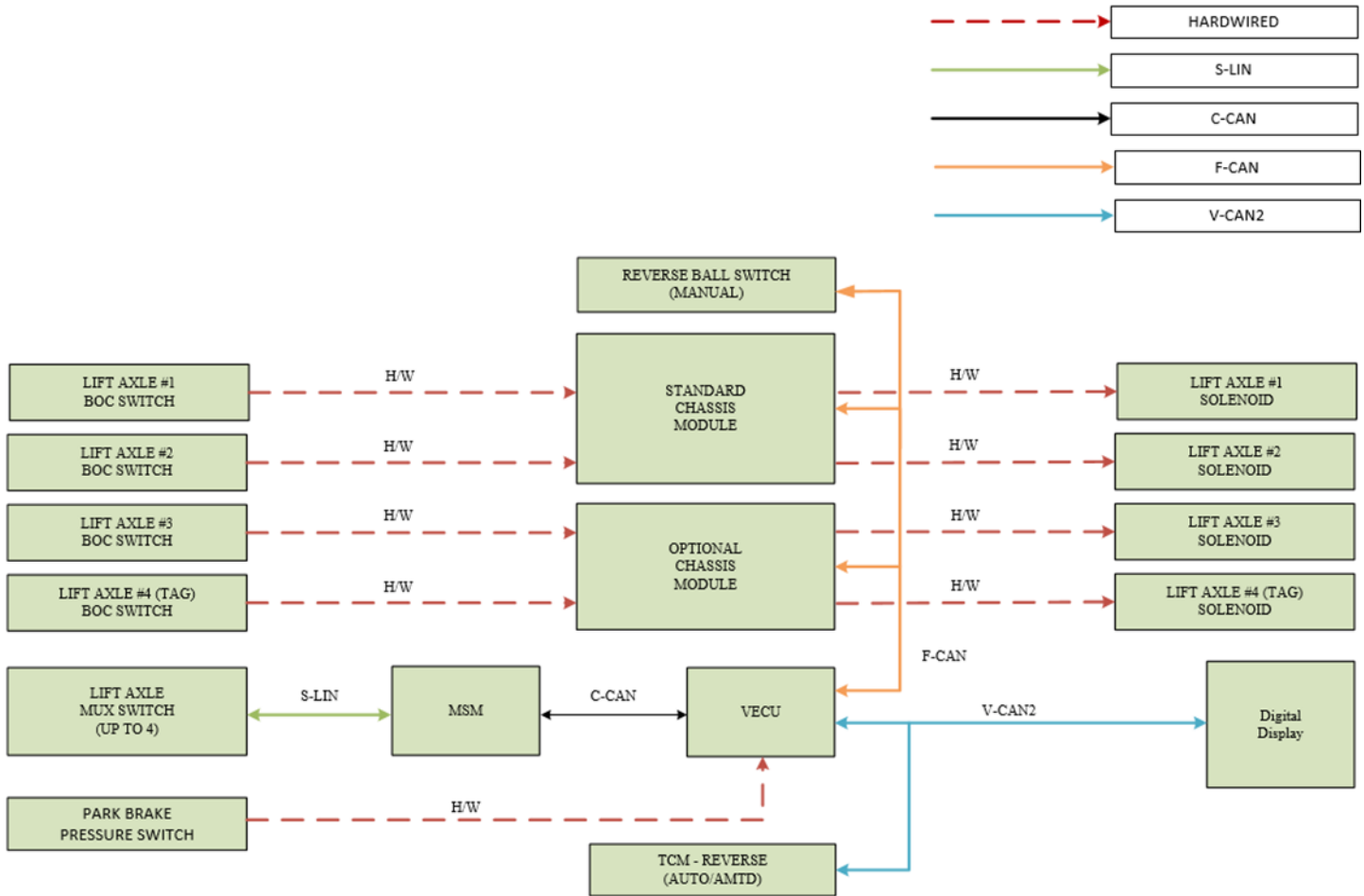


Pin	Description
1	LOW BEAM LH
2	LOW BEAM RH
3	HIGH BEAM LH
4	HIGH BEAM LH
5	TURN INDICATOR LH
6	TURN INDICATOR RH
7	MARKER LAMPS
8	NOT USED
9	SNOWPLOW GROUND
10	SNOWPLOW GROUND
11	TURN INDICATOR, LH DRL
12	TURN INDICATOR, RH DRL

LIFT AXLES (PUSHERS & TAG)

All truck lift axles (pushers and tag) are direct wire Electric-Only. The wiring comes from the Primary Chassis Module or Secondary Chassis Module and goes direct to the axle mounted solenoid. This is not from the EoA Solenoid Bank. The activation signal comes from either a dash mounted MUX switch or a hardwired switch that is mounted outside of the cab. There are a total of four lift axle controls available; 3 pushers and 1 tag axle, or 4 pushers and no tag. These are controlled with separate switches by default, but it is possible to have a single switch control all axles if they are the same type. The customer can order the following configurations; steerable, non-steerable, with auto-reverse, and with park brake interlock. A lift axle comes with a control switch (single or separate), a gauge, and a regulator valve.

Lift Axle Diagram



Truck Lift Axle Logic

Lift Axle Type	Raise Condition Logic	Lower Condition Logic
Steerable Lift Axle w/o Auto-Reverse	- Lift Switch is Inactive OR - Park Brake Active OR - Trans in Reverse	- Lift Switch is Active AND - Park Brake Inactive AND - Trans Not in Reverse
Steerable Lift Axle with Auto-Reverse OR Non-Steerable Lift Axle w/o Park Brake	- Lift Switch is Inactive OR - Park Brake Active	- Lift Switch is Active AND - Park Brake Inactive
Non-Steerable Lift Axle with Park Brake	- Lift Switch is Inactive AND - Park Brake Inactive	- Lift Switch is Active OR - Park Brake Active

Trailer Lift Axle

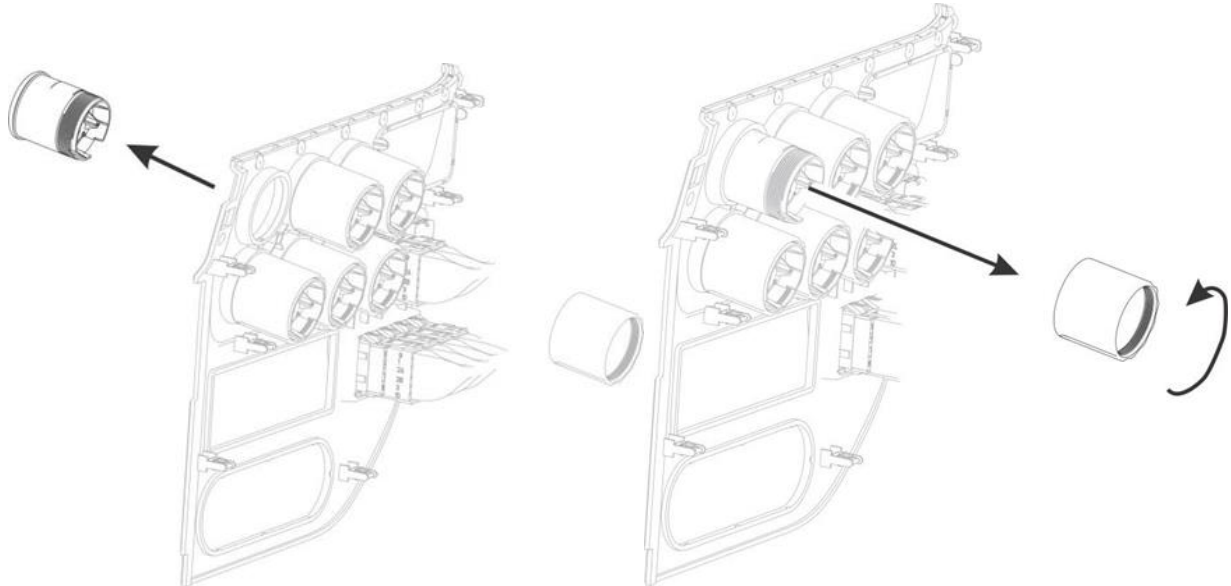
Trailer lift axles can be either EoA or Electric-Only type. There are a total of two available EoA trailer lift axle controls using latching solenoids. If one axle is ordered, the customer will receive a switch labeled “Trailer Lift Axle”. If two axles are ordered the customer can have a single switch that controls both axles or two switches. If two switches are present they are labeled “Forward Trailer Lift Axle” and “Rear Trailer Lift Axle”.

DIGITAL DISPLAY



GAUGES

Gauges and switches are fastened directly to the panel. Once the panel is free, the gauge or switch can be installed. Gauges are held by a screwed on collar while switches have a plastic tab.



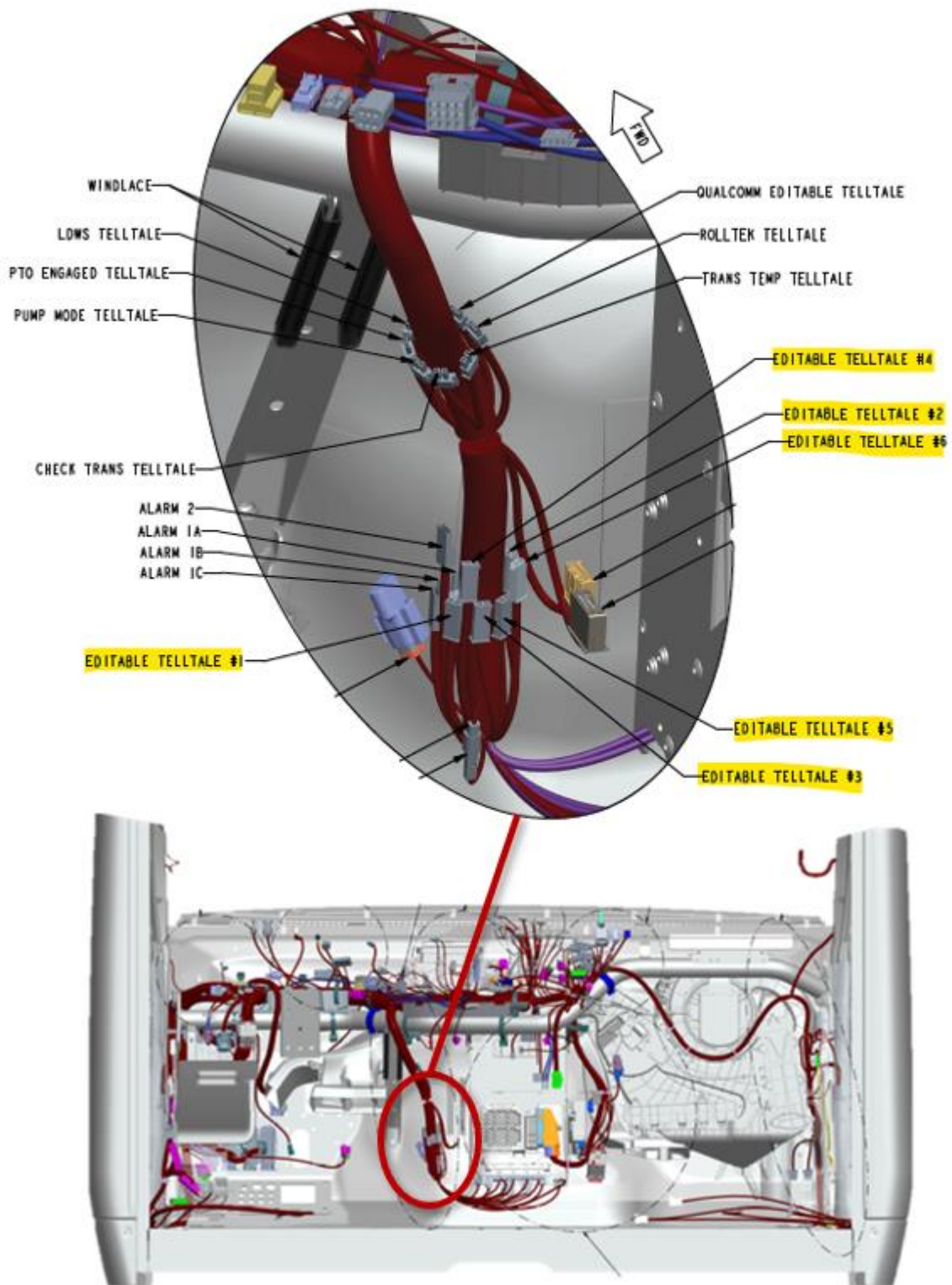
Optional gauges may be installed and connected to the Digital Display via a jumper harness.

TELLTALE ICONS

Custom Telltales will no longer be available with a physical card inserted into the dash cluster. Instead, the body builder telltales will populate on the digital portion of the display from a limited list and can be reconfigured using PVP at your local Peterbilt dealership. The location of the telltale will be dependent on the configuration of the vehicle and what other telltales are present on the digital display.



TELLTALE CONNECTOR LOCATIONS



SECTION 7b ELECTRICAL 389 Family

INTRODUCTION

This section is written to provide information to the body builder when installing equipment into vehicles built with multiplexed instrumentation. The technology presented by VECU level instrumentation integrates J-1939 CAN data communications between controllers and equipment on the vehicle. This section is intended to address how to work in aftermarket equipment while still maintaining full functionality of the OEM vehicle.

These topics apply to 1.9M chassis built with a Vehicle Electronic Control Unit (VECU). The electrical architecture for these trucks will be named VMUX which replaces NAMUX3. This system integrates a parallel control unit to manage outbound messages via a faster baud rate 500kbps and FCAN signals for the chassis module(s). Since the F-CAN has moved to the VECU, the VCAN is divided into VCAN1 and VCAN2. The second CAN is dedicated to OBD communication.

The most important advancement of electrical instrumentation is the implementation of the VECU controller. While it is still possible to wire completely outside of the VECU system, utilizing the VECU functions will make a cleaner installation and will maintain OEM functionality. VECU expands controls to air operated devices by receiving input from dash switches, remote (aftermarket) switches, sensors mounted to the aftermarket equipment and other vehicle parameters (engine speed, transmission status etc.) With the proper programming, the VECU will then process the inputs and will create a J-1939 Data instruction, which is communicated to another controller outside the cab called the Chassis Module. This chassis module receives the instruction and communicates the information to the air solenoid bank. Then 12V power will open the solenoid and supply air pressure the specified air circuit. The chassis module can also supply voltage to other systems on the chassis.

ELECTRICAL ACRONYM LIBRARY

Acronym	Definition
ABS	Antilock Braking System
CAN	Controller Area Network
DTC	Diagnostics Trouble Code
ECM	Engine Control Module
ECU	Electrical Control Unit
EOA	Electric Over Air
EOH	Electric Over Hydraulic
J-1939	SAE CAN Communication Standard
LIN	Local Interconnect Network
MCM	Mirror Control Module
MPDC	Main Power Distribution Center
MSB	Master Solenoid Bank
MSM	Master Switch Module
MUX	Multiplex Switch
OBD	On Board Diagnostics
OEM	Original Equipment Manufacture
PCC	Predictive Cruise Control
PDC	Power Distribution Center
PGN	Parameter Group Number
PTO	Power Take Off
RP1226	TMS Messaging Standard
SPN	Suspect Parameter Number
TCM	Transmission Control Module
VECU	Vehicle Electrical Control Unit

ELECTRICAL WIRING CIRCUIT CODES

The wire system uses 10 different colors and only one striped wire color. Each wire has a minimum of seven characters, with the first three characters as the wire color. The remaining four characters are related to the wire services. The colors determine the circuits function as follows:

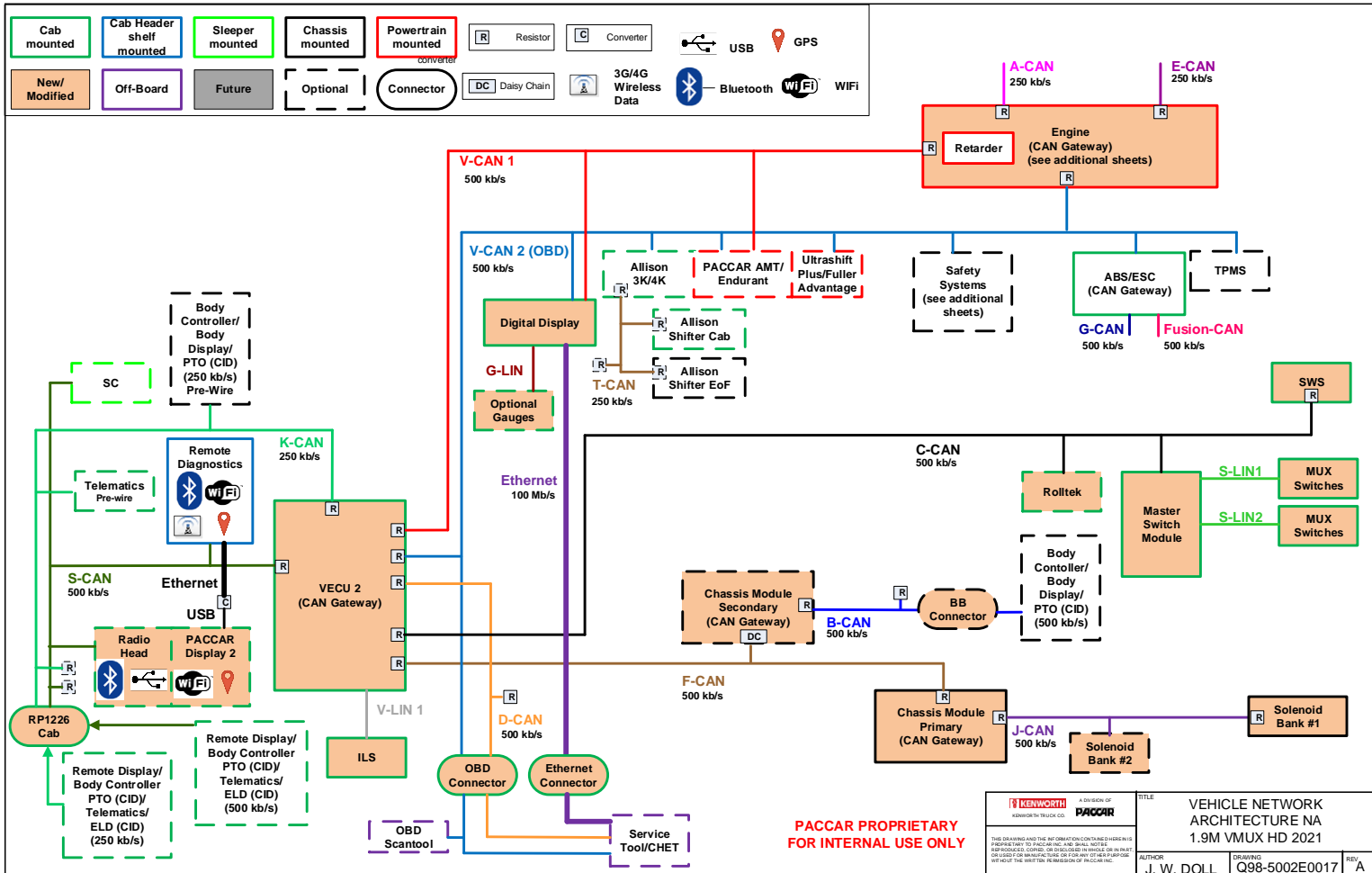
ELECTRICAL WIRE CIRCUIT CODE TABLES

PACCAR Electrical Circuit Code		
Insulation Color	Color Code	Electrical Function
Red w/ white stripe	R/WXXXX	Direct battery power
Red	REDXXXX	Protected battery power
Orange	ORNXXXX	Ignition, Accessory, Low Voltage Disconnect, StartPower
Yellow	YELXXXX	Activated Power
White	WHTXXXX	Ground
Black	BLKXXXX	Load Return
Gray	GRAXXXX	Control
Brown	BRNXXXX	Indicator Illumination Backlit Illumination
Violet	VIOXXXX	Reference Voltage or +5VDC or Sensor Power
Light Blue	BLUXXXX	Sensor Signal
Light Green	GRNXXXX	Sensor common or Sensor Ground

Number			Category
XXX0000	through	XXX0999	General
XXX1000	through	XXX1999	Power Supply
XXX2000	through	XXX2999	Lighting
XXX3000	through	XXX3999	Powertrain
XXX4000	through	XXX4999	Instrumentation
XXX5000	through	XXX5999	Safety systems
XXX6000	through	XXX6999	Convenience, Security
XXX7000	through	XXX7999	HVAC
XXX8000	through	XXX8999	Undefined
XXX9000	through	XXX9999	Trailer/Body Connections

MULTIPLEX SYSTEM

The VECU electrical architecture uses a multiplexing system. Multiplexing can be defined as the process of sending multiple digital signals on the same-shared medium at the same time. These signals are introduced into the multiplexing system through data connection points, which are defined by J1939 backbone.



CAN BUS SYSTEM OVERVIEW

CAN BUS SPEEDS AND CIRCUIT DESIGNATION

J1939-14 (500KBPS):

- B-CAN – 0813 Body Builder
- C-CAN – 0821 Cab
- D-CAN – 0822 Diagnostics
- F-CAN – 0819 Frame
- G-CAN – 0825 Bendix ACB Antenna
- S-CAN – 0827 Radio and PACCAR Display
- V-CAN1 – 0812 Vehicle1
- V-CAN2 – 0823 Vehicle2

J1939-15 (250KBPS):

- T-CAN – 0828 Transmission
- K-CAN – 0829 Telematics and Remote PTO

ELECTRICAL COMPONENT OVERVIEW

OVERVIEW DIAGRAM OF ELECTRICAL COMPONENT LOCATIONS

Switches



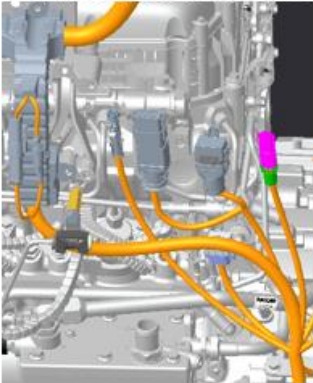
Driver Information Display



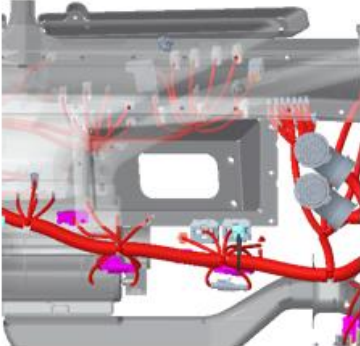
Solenoid Bank



Remote PTO/Throttle



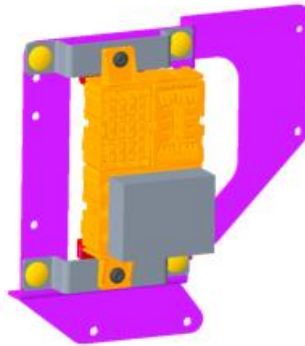
J1939 Connectors



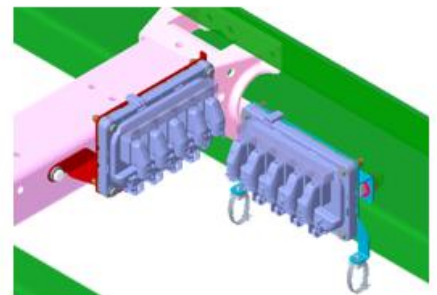
MPDC



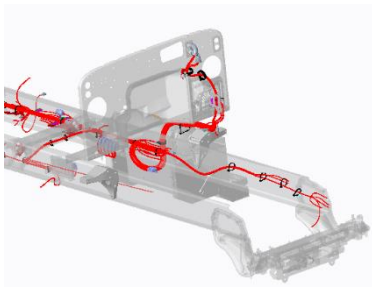
Aux PDC



Chassis Modules

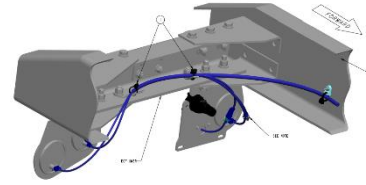
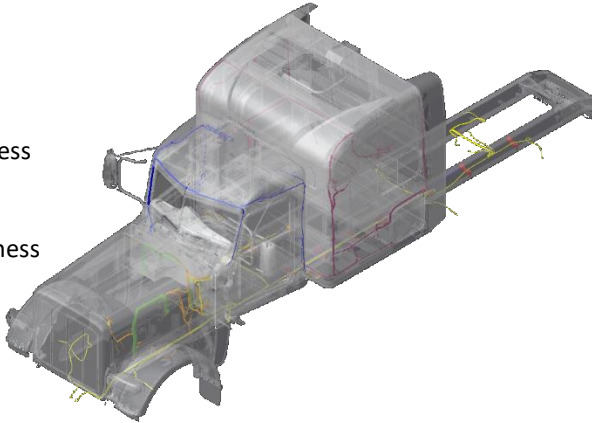


ELECTRICAL HARNESS OVERVIEW



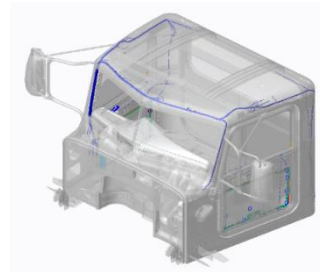
MAIN CHASSIS HARNESS

- 1) Connections to Rear Chassis Harness
- 2) Connections to Firewall Bulkhead
- 3) Connections to Chassis Module
- 4) Connection to Solenoid Bank Harness
- 5) Connection to Hood Harness
- 6) Connection to MPDC
- 7) Connection to Firewall harness
- 8) Connection to Lift axle harness
- 9) Connection to Trailer harness



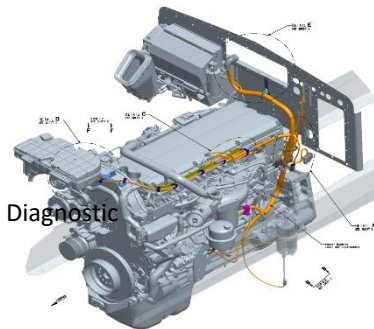
REAR CHASSIS HARNESS

- 1) Connections to Chassis Harness
- 2) Connections to Tail light
- 3) Connections to Rear axle harness



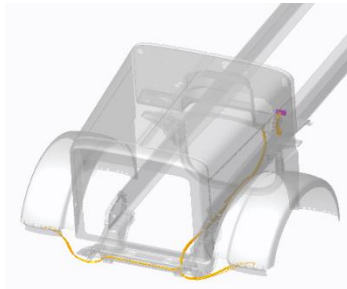
CAB ROOF HARNESS

- 1) Connections to Main Cab IP Harness
- 2) Connection to Antennas, Radio
- 3) Connection to Roof Lighting
- 4) Connection to Sleeper Harness
- 5) Connection to Remote
- 6) Connections to LDWS
- 7) Connection to Rolltek Seat



ENGINE HARNESS

- 1) Connections to Main Chassis Harness
- 2) Connections to Firewall Bulkhead
- 3) Connections to Starter
- 4) Connections to Aftertreatment Harness
- 5) Connection to Turn Signal Lamps
- 6) Connection to Main cab
- 7) Connection to MPDC
- 8) Connection to PTO and Dual station
- 9) Connection to AFT Harness



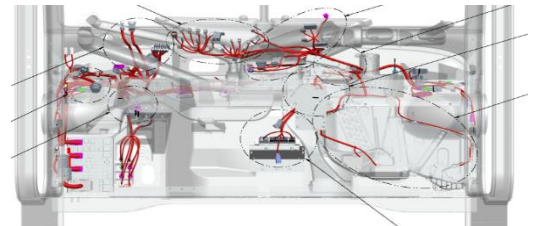
HOOD CHASSIS HARNESS

- 1) Connections to Main Chassis Harness
- 2) Connections to Head Lights



SLEEPER HARNESS

- 1) Connection to Audio
- 2) Connection to Sleeper PDC
- 3) Connection to Cab Roof Harness



MAIN CAB IP HARNESS

- 1) Connections to MPDC and Aux PDC
- 2) Connection to ABS Harness and ECU
- 3) Connections to VECU
- 4) Connections to EOAS Harness
- 5) Connection to Instrument Panel
- 6) Connections to Allison TCM
- 7) Connection to Cab Roof Harness
- 8) Connection to Engine Harness
- 9) Connection to Footlight
- 10) Connection to Mirror Harness
- 11) Connections to Door Harness

Harness

- 4) Connection to Lighting
- 5) Connection to Aux

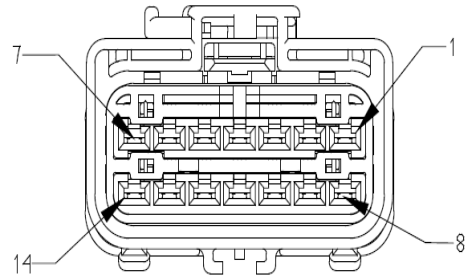
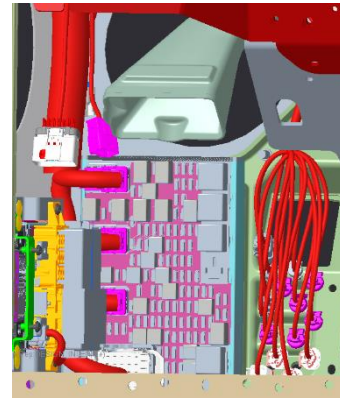
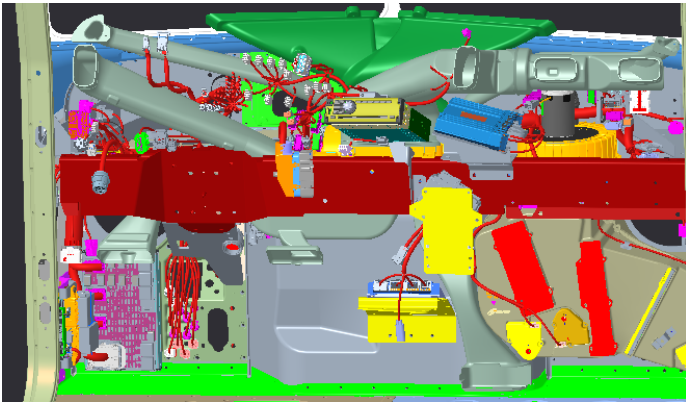
- 12) Connection to Main Chassis Harness

Heater

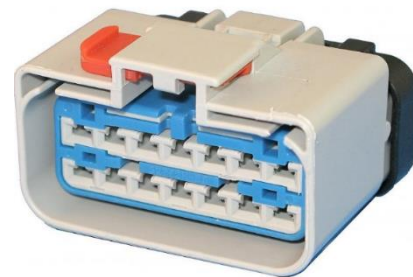
IN CAB CAN BASED MESSAGING CONNECTOR

RP1226 CONNECTOR

There are two RP1226 connectors, one located near MPDC on the left hand side of the steering wheel behind the dash and second connector behind B panel. The second RP1226 connector located behind B panel is F/O and can be used for after-market telematics, ELD, body controls, and PTO controls. There will be multiple bus speeds available K-CAN for 250kbps and S-CAN for 500 kbps. The RP1226 provides defined messages and major telematics supplier data for customer use.



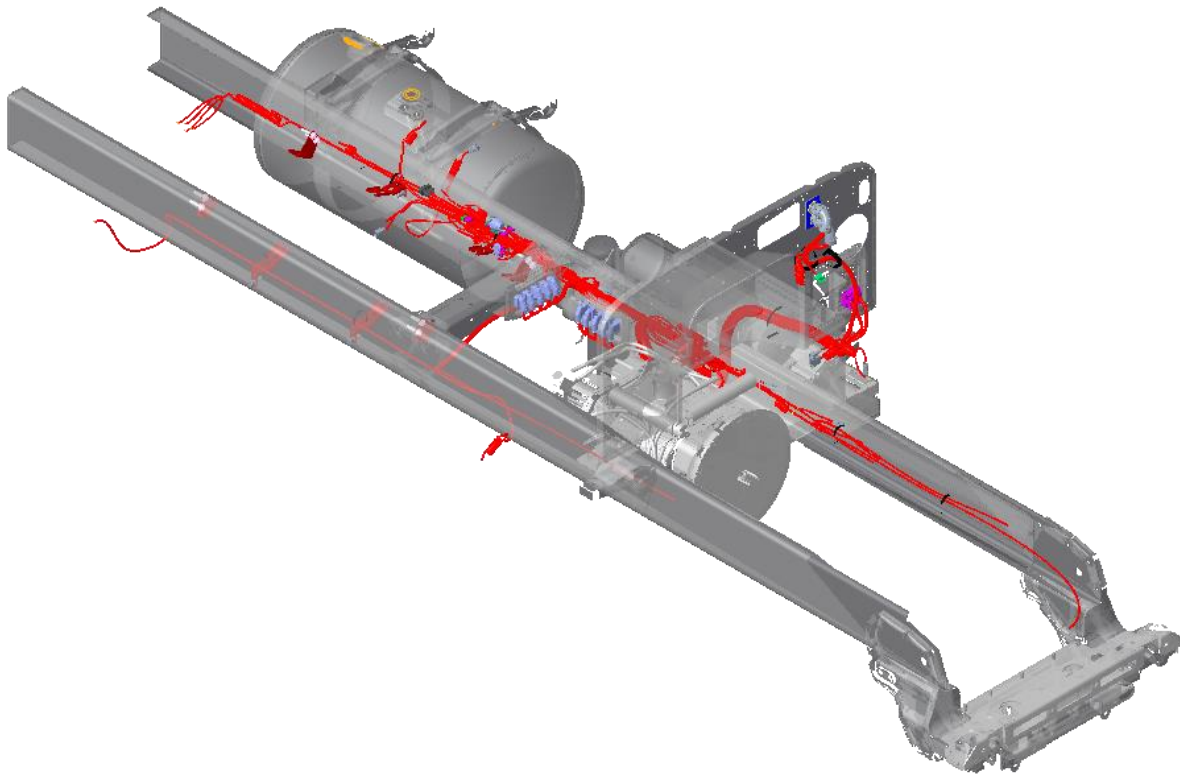
Pin	Description
1	PROTECTED POWER
2	J1939 S-CAN (+)
4	J1939 K-CAN (+)
7	IGNITION POWER
8	GROUND
9	J1939 S-CAN (-)
11	J1939 K-CAN (-)



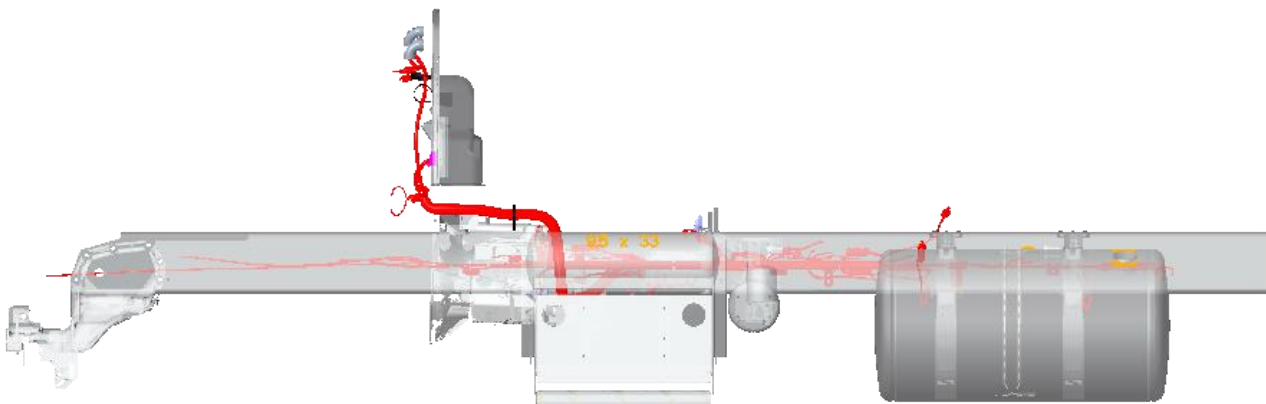
BODY CONNECTION POINTS

LOCATION DIAGRAMS FOR VARIOUS BODY CONNECTORS ON THE MAIN CHASSIS HARNESS

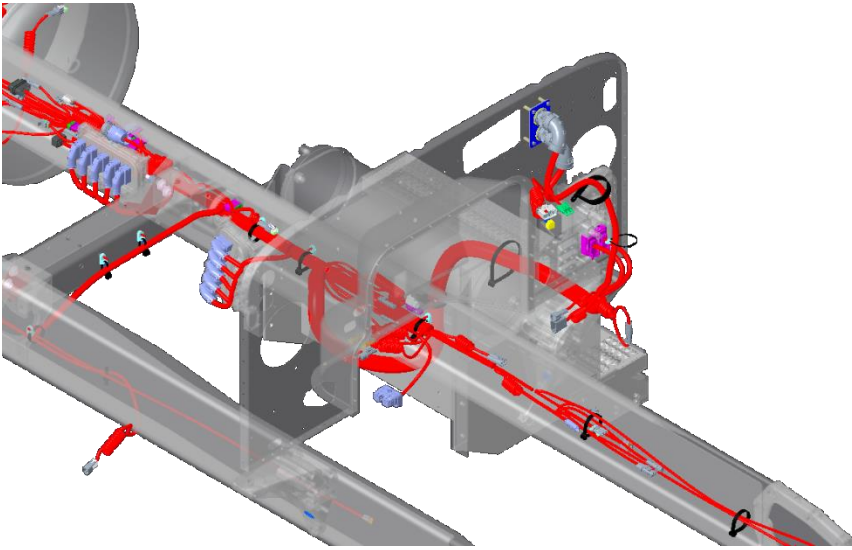
Isometric View



Side View



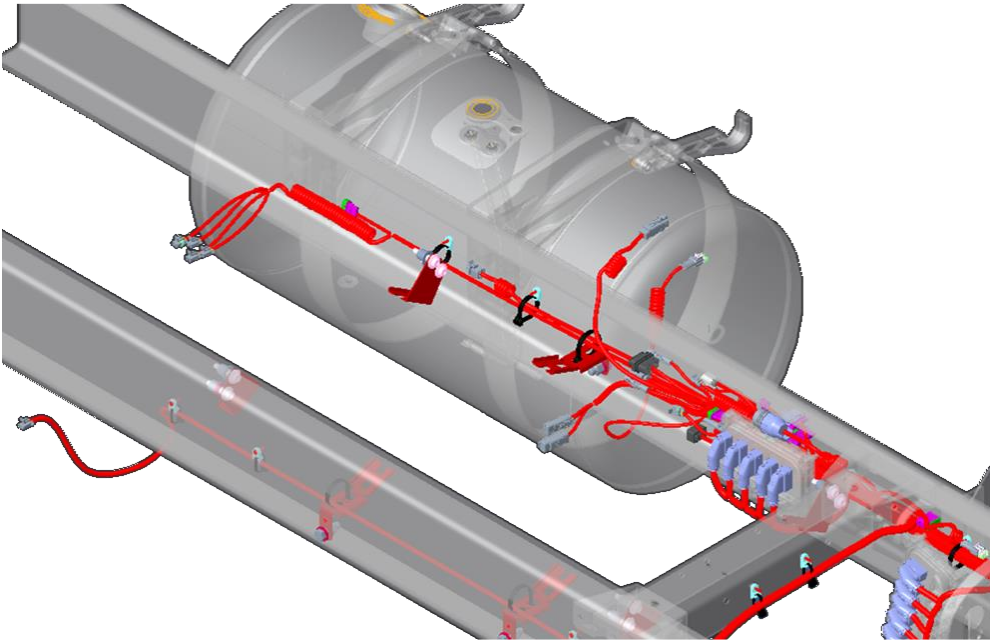
Front View



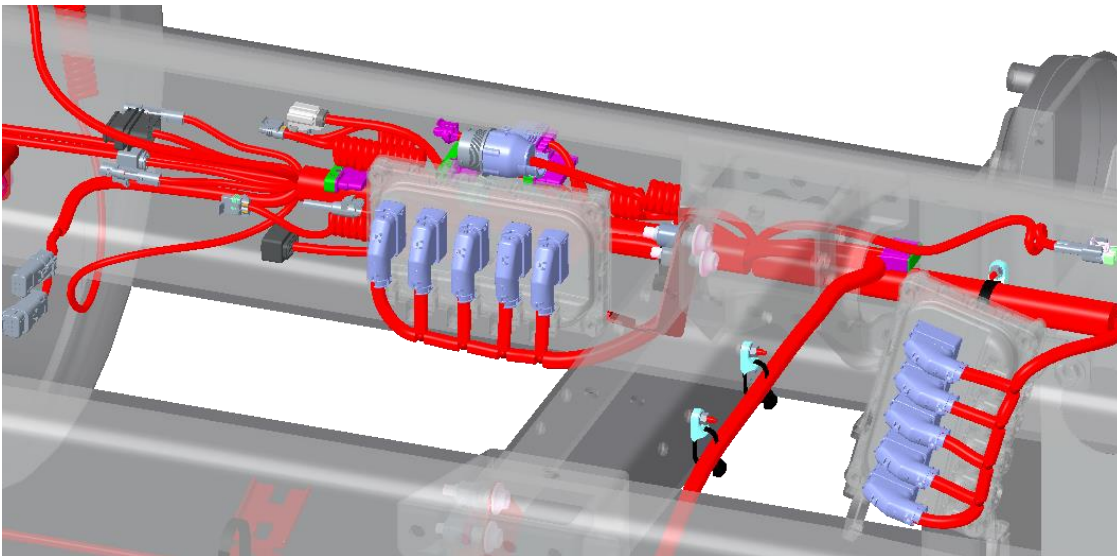
Detail View of Engine Compartment Body Connectors



BOC View

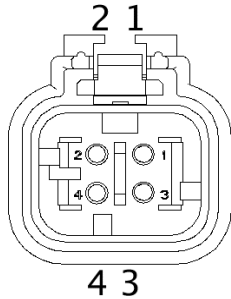


Detail View of BOC/BOS and EOF Body Connectors



ELECTRIC ENGAGED EQUIPMENT

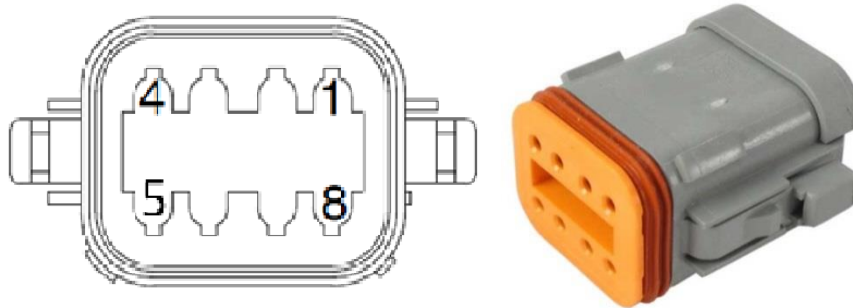
At the left hand BOC, P096 is available in chassis harness for PTO controls that are electrically engaged via ground.



Pin	Description
1	VEHICLE GROUND
2	#1 PTO ON/OFF
3	PTO PUMP MODE SIGNAL
4	#2 PTO ON/OFF

OPTIONAL 8 PIN PTO INPUT CONNECTOR

Optional PTO connector P012 is present in engine harness.



Pin	Description
1	12V IGNITION SIGNAL
2	PTO INTERLOCK INPUT (Active Low)
3	REMOTE PTO PRESET 3 (Active High)
4	REMOTE PTO PRESET 2 (Active High)
5	REMOTE PTO PRESET 1 (Active High)
6	REMOTE PTO PRESET INCREMENT + (Active High)
7	REMOTE PTO PRESET DECREMENT - (Active High)
8	VEHICLE GROUND

REMOTE THROTTLE AND REMOTE PTO CONTROLS

PACCAR MX Engines



Chassis must be ordered with the appropriate option to have a 12-pin connector on the engine harness. All signals will feed into the Chassis Modules through Engine/Chassis interface connector.

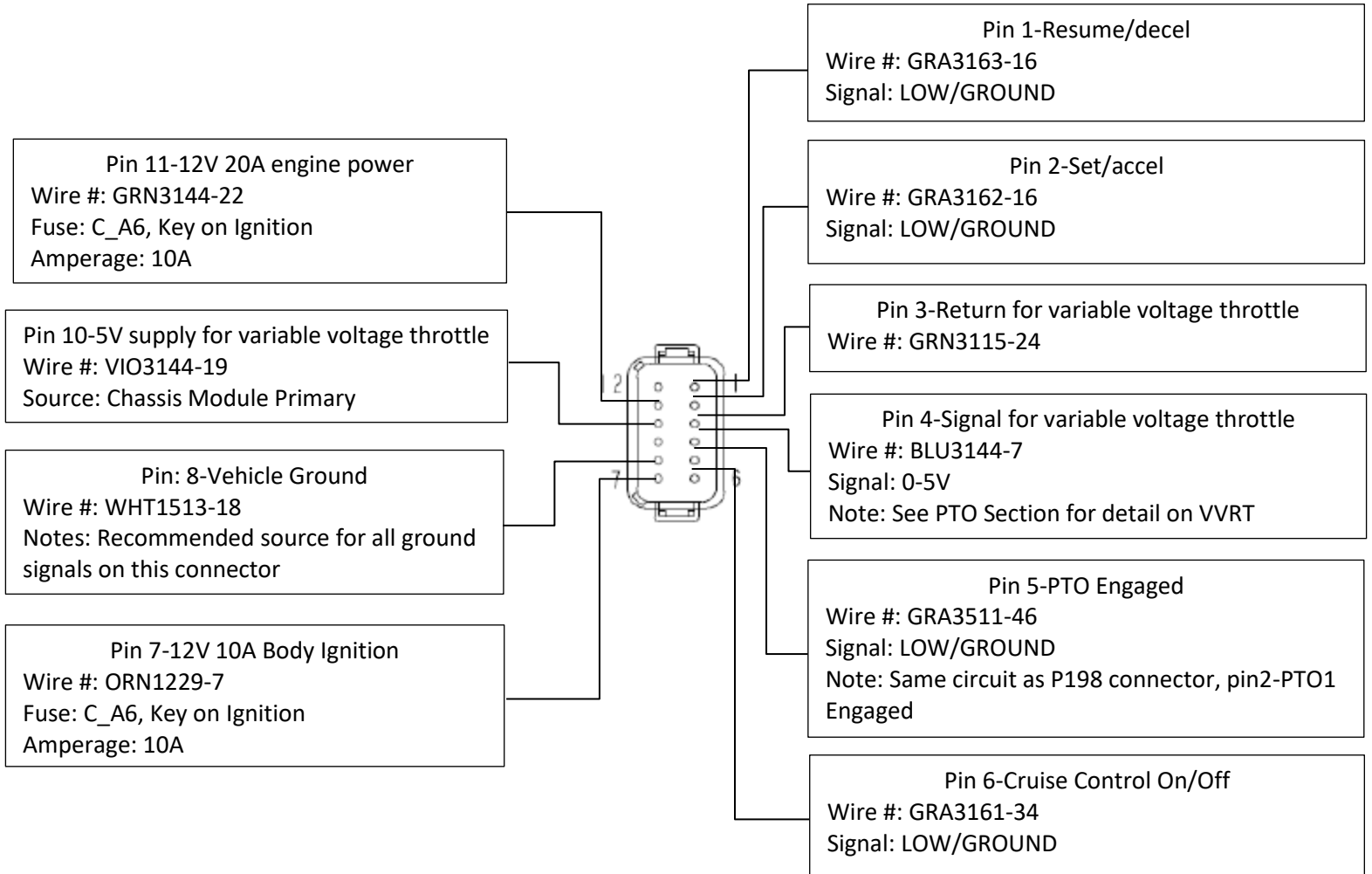
Wiring Function Description:

Connect pin 5 and pin 6 to pin 8 to activate PTO Mode Control (PMC) and Enable PTO Speed Control (PSC).

WARNING: DO NOT install a permanent jumper wire between Pins 5 and 6.

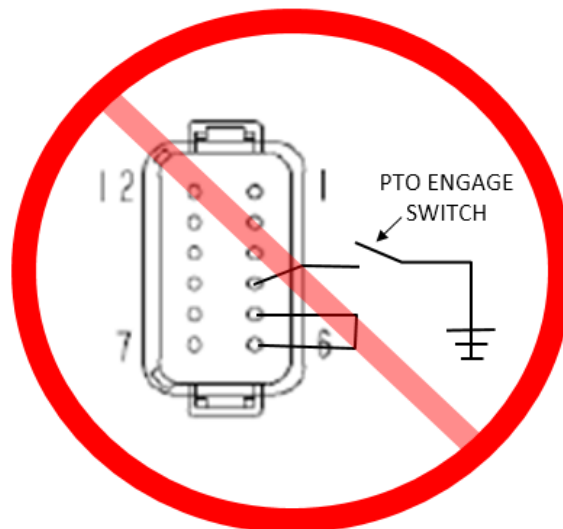
- "Bump up" Engine Speed: Connect pins 2 to pin 8 momentarily
- "Accelerate" Engine Speed: Connect pins 2 to pin 8 until desired RPM is reached then disconnect
- "Bump down" Engine Speed: Connect pin 1 to pin 8 momentarily
- "Decelerate" Engine Speed: Connect pins 1 to pin 8 until desired RPM is reached then disconnect
- "0-5v Variable Voltage Remote Throttle": See PTO section

	<p>P124-Remote PTO/Throttle</p>
<p>TRUCK CONNECTOR</p>	<p>Equipped: Optional Available Locations: Engine bay, BOC/BOS, EOF Supplier: Deutsch-DT Series</p>
	<p>Mating Connector: PACCAR P/N: P20-1372-1112H TE P/N: DT04-12PA-CE02 Terminals: 16-20 AWG: 0460-202-16141 14 AWG: 0460-215-16141 Plugs: 0413-217-1605</p>
<p>MATING CONNECTOR</p>	<p>Note: Cap installed from Factory</p>

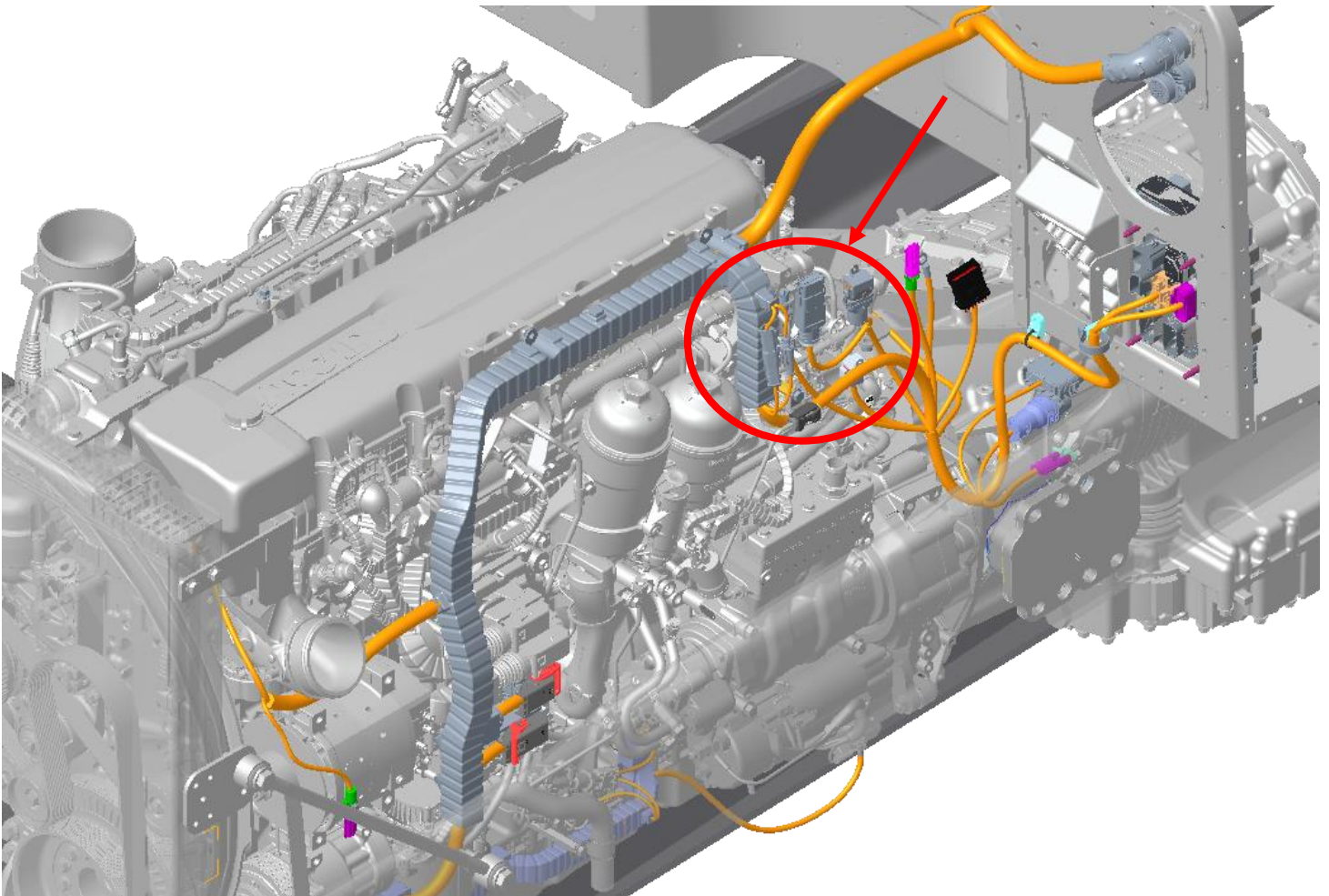


WARNING!

DO NOT install a permanent jumper wire between pins 5 and 6. May cause unexpected vehicle behavior.



MX-11 and MX-13 Connector Location



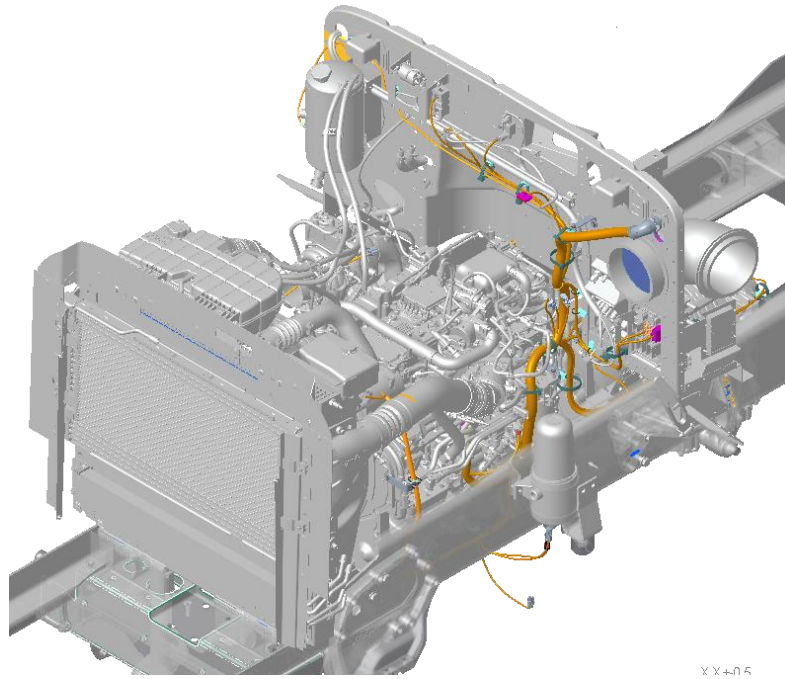
Cummins Engines 12 Pin Connector

Chassis must be ordered with the appropriate option to have a 12-pin connector on the engine harness. The Body IGN signal was moved off the engine harness connector, so for Cummins, the Chassis Harness will include the PTO layer to insert the Body IGN signal back into the 12-way connector. Signals that feed directly to the engine ECM typically will be active low signals. Connect pins 3 and 5 for simple PTO ON/OFF signal. For remote throttle bump, you must connect pins 3 & 6. Having a momentary switch to signal ground on pins 2 and 1 will then increase/decrease engine speed. Engine speed will depend on how engine is programmed. Unless otherwise specified, engine is set by default for incremental speed increase. Full remote throttle control can be achieved with a twisted triple to pin 4, 10, and 11.

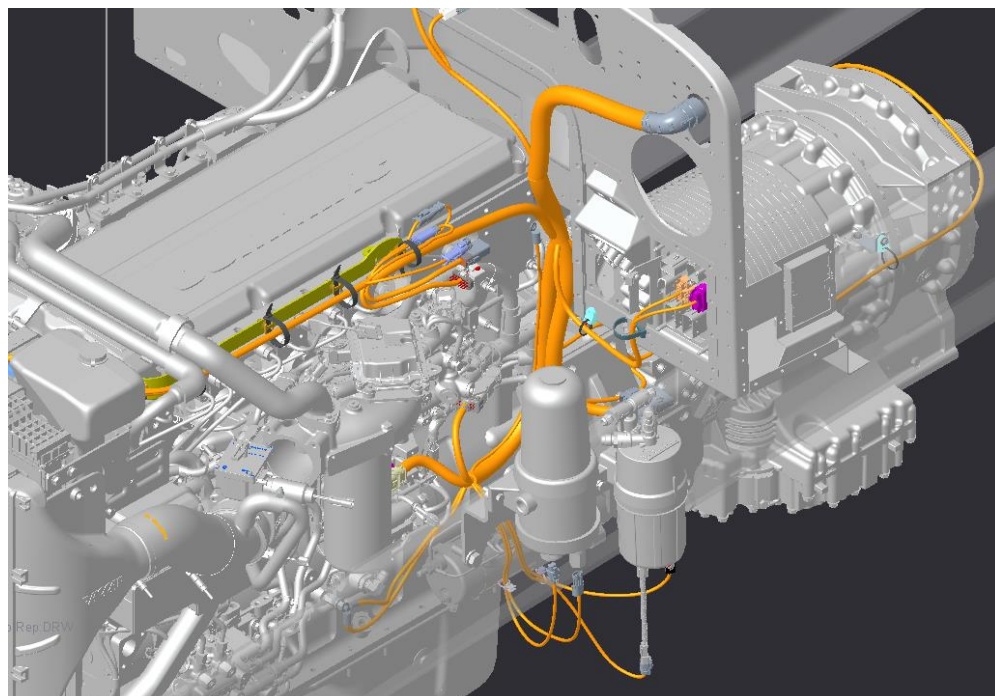


Pin	Description
1	CRUISE RESUME/DECELERATE
2	CRUISE SET/ACCELERATE
3	COMMON #1 (SWITCH)
4	REMOTE THROTTLE SIGNAL INPUT
5	PTO ON/OFF
6	CC/PTO ON/OFF SWITCH
7	IGN PWR
8	ENGINE GND
9	TORQUE LIMIT SWITCH
10	5V SUPPLY
11	COMMON #3 (SENSOR)
12	REMOTE THROTTLE ENABLE

PX9 Connection Location



X15 Connection Location

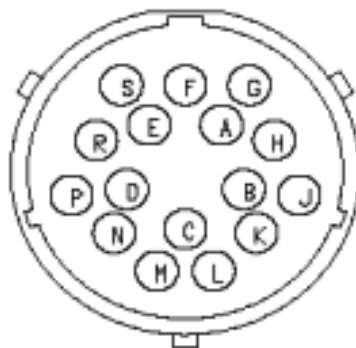


DUAL STATION CONTROLS

When equipped, dual station controls allow extra controls from a remote station outside of the cab. The option will either include a 16-way connector, or a 23-way connector. When the in-cab PTO control switch is switched to the “on” position with the park brake applied, the engine will turn off unless the dual station remote run input is properly powered via the 16 or 23-way connector. To power the remote run input, terminal X of the 23-way connector or terminal L of the 16-way connector will be powered with a 12V+ input which will power terminal 87 of the remote run relay. To operate the remote start input, terminal F of the 23-way connector will be powered with a 12V+ input which will power terminal 85 of the remote run relay and terminal 85 of the remote start relay.

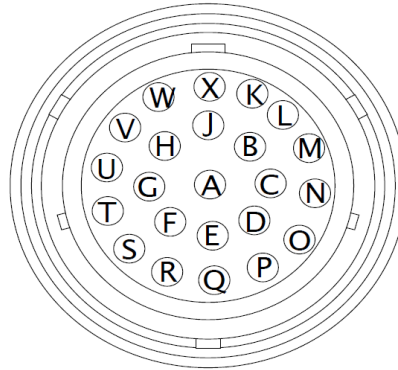
Following is a list of pin descriptions, and the required input or supplied output signal type for both the 23-way and the 16-way connectors for both PACCAR MX and Cummins engines. Also following are examples of wiring connections for common items used.

PACCAR MX ENGINE 16 PIN



Pin	Description	Input/Output	Destination/Source
A	External Regeneration Notification	Output, Active High	External Regen Relay, Controlled by Pin C7 of Optional Chassis Module
B	Remote Run	Input 12V (+)	Pin 87A Remote Run Relay
C	Remote Start	Input 12V (+)	Pin 87 of Remote Start Relay.
D	Remote Throttle Sensor Supply	Output, 5V (+) Supply	Pin E2 of Standard Chassis Module
E	Remote Throttle Position	Input Variable 0-5V	Pin A18 of Standard Chassis Module
F	Remote Throttle Return	Analog Sensor Ground	Pin E1 of Standard Chassis Module
G	DEF Lamp Return	Not Used, Cummins ONLY	
H	Regeneration Lamp Return	Not Used, Cummins ONLY	
J	tachometer (+)	Tachometer Output (+)	Body Builder Supplied sensor, Input on P669 Pin 1
K	tachometer (-)	Tachometer Output (-)	Body Builder Supplied sensor, Input on P669 Pin 2
L	Remote ECM Power Engine Run	Input 12V (+)	Pin 87 Remote Run relay, supplies Pin 63 Engine ECM When Relay Active.
M	Engine oil Pressure	Output	Body Builder Supplied sensor, Input on J668
N	NOT USED	NOT USED	
P	Water Temp	Output	Body Builder Supplied sensor, Input on J667
R	J1939 K-CAN (+)	K-CAN (+)	Pin C42 of VECU
S	J1939 K-CAN (-)	K-CAN (-)	Pin C43 of VECU

PACCAR MX ENGINE 23 PIN CONNECTOR



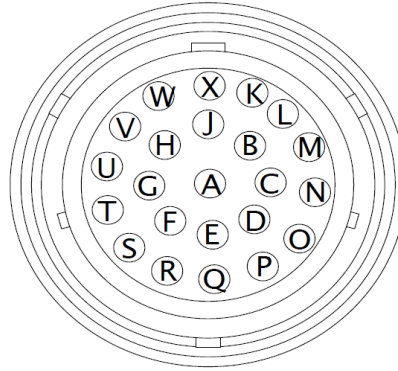
Pin	Description	Input/Output	Destination/Source
A	12 VDC IGN Power	Output 12V (+)	Tied To Pin L of 23 Way Conn. Dash PDC Fuse A6. 10A Fused
B	City Horn	Input 12V (+)	Pin 85 of Horn Relay
C	Check Engine Lamp	Output Active Low	Pin J2-60 of Engine ECM
D	Remote Start	Input 12V (+)	Pin 87 of Remote Start Relay
E	Remote Throttle Return	Analog Sensor Ground	Standard Chassis Module Pin E1
F	Remote Enable	Input 12V (+)	Pin 85 of Remote Start Relay. Pin 85 of Remote Run Relay
G	Remote Resume	Input Active Ground	Pin A6 of Standard Chassis Module
H	Remote Set	Input Active Ground	Pin A5 of Standard Chassis Module
J	Remote Throttle Position	Input, Variable 0-5V	Pin A18 of Standard Chassis Module
K	Remote Run	Input 12V (+)	Pin 87A Remote Run relay
L	12 VDC IGN Power	Output 12V (+)	Tied To Pin A of 23 Way Connector. Dash PDC Fuse A6. 10A Fused
M	J1939 K-CAN (-)	K-CAN (-)	Pin C43 of VECU
N	J1939 K-CAN (+)	K-CAN (+)	Pin C42 of VECU
O	Common Return (General)	Common Ground	Firewall Ground
P	Engine Oil Pressure	Output	Body Builder Supplied sensor, Input on J668
Q	Remote PTO ON/OFF	Input, Active low - 567 only Input 12V(+) - Legacy	Pin A9 of Standard Chassis Module - 567 only Pin 21 on engine ECM on Legacy
R	DEF Lamp Return	Not Used, Cummins ONLY	
S	Regeneration Lamp Return	Not Used, Cummins ONLY	
T	External Regeneration Notif	Output, Active High	External Regen Relay, Controlled by Pin C7 of Optional Chassis Module
U	Common Return (Switch)	Common Switch Ground	Firewall Ground
V	Cruise On/Off	Input Active Low	Pin A8 of Standard Chassis Module
W	Remote Throttle Sensor	Output, 5V (+)	Pin E2 of Standard Chassis Module
X	Remote ECM Power Engine	Input 12V (+)	Pin 87 Remote Run relay

CUMMINS ENGINE 16 PIN CONNECTOR



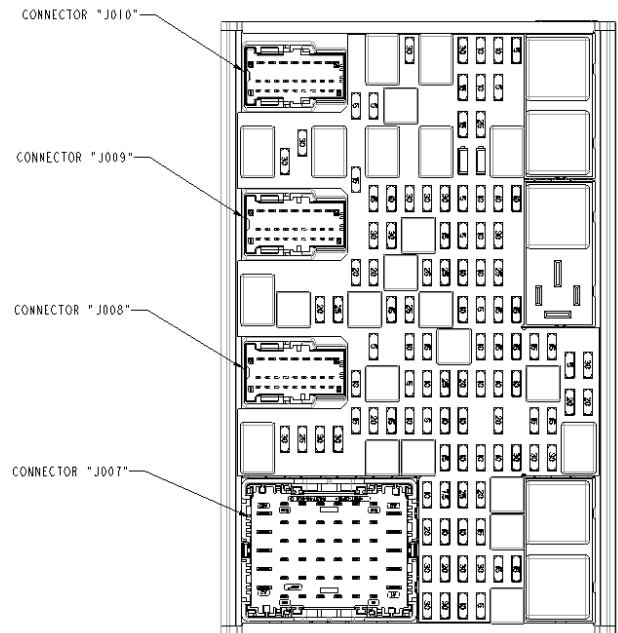
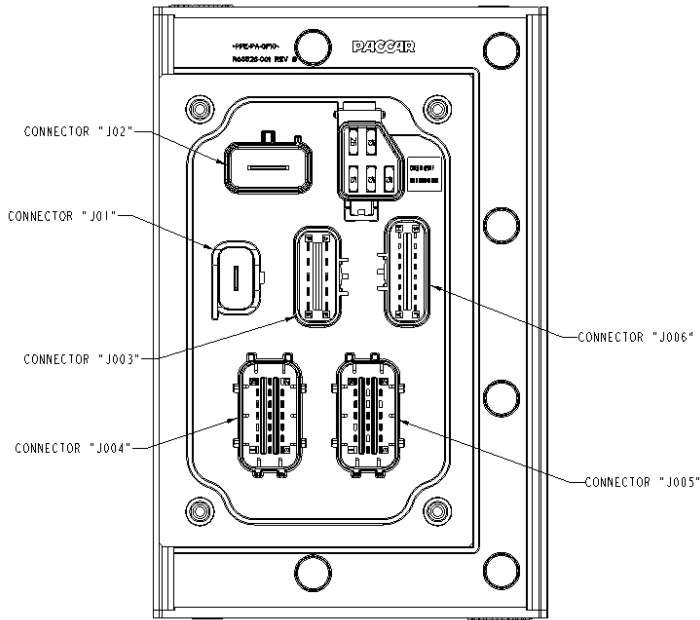
Pin	Description	Input/Output	Destination/Source
A	External Regeneration Notification	Output, Active	Pin C7 From Chassis Module
B	Remote Run	Input 12V (+)	Pin 87A of Remote Run Relay
C	Remote Start	Input 12V (+)	Pin 87 of Remote Start Relay
D	Remote Throttle Sensor Supply	Output, 5V (+) Supply	Pin 8 Engine ECM
E	Remote Throttle Position	Input Variable 0-5V	Pin 63 of Engine ECM
F	Remote Throttle Return	Analog Sensor Ground	Pin 32 of Engine ECM
G	DEF Lamp Return	Output Active Low	Pin 2 of Engine ECM
H	Regeneration Lamp Return	Output Active Low	Pin 23 of Engine ECM.
J	Tachometer (+)	Tachometer Output (+)	Body Builder Supplied Sensor, Input on P669 Pin 1
K	Tachometer (-)	Tachometer Output (-)	Body Builder Supplied Sensor, Input on P669 Pin 2
L	Remote ECM Power Engine Run	Input 12V (+)	Pin 87 of Remote Run Relay
M	Engine Oil Pressure	Output	Body Builder Supplied Sensor, Input on J668
N	NOT USED	NOT USED	
P	Water Temp	Output	Body Builder Supplied Sensor, Input on J667
R	J1939 K-CAN (+)	K-CAN (+)	Pin 42 of VECU C
S	J1939 K-CAN (-)	K-CAN (-)	Pin 43 of VECU C

CUMMINS ENGINE 23 PIN CONNECTOR

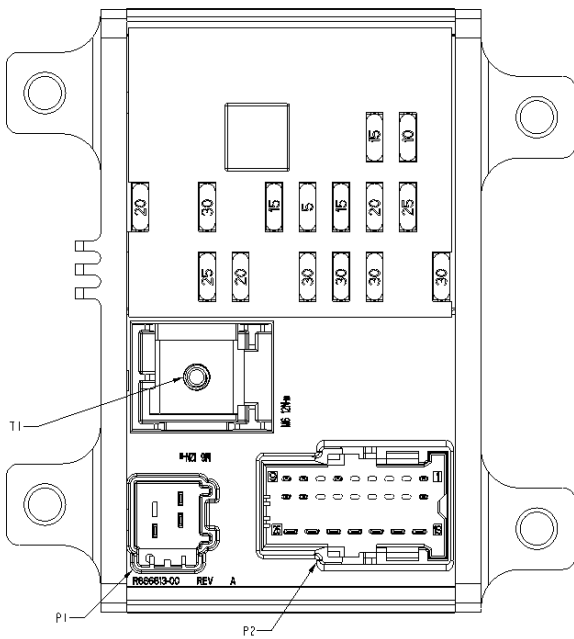


Pin	Description	Input/Output	Destination/Source
A	IGN (Switch) Power	Output 12V (+)	Tied To Pin L of 23-Way Connector. Cab PDC Fuse A9 10A Fused
B	City Horn	Input 12V (+)	Pin 85 of Horn Relay
C	Check Engine Lamp	Output Active Low	Pin 72 of Engine ECM
D	Remote Start	Input 12V (+)	Pin 87 of Remote Start Relay
E	Remote Throttle Return	Analog Sensor Ground	Pin 32 of Engine ECM
F	Remote Enable	Input 12V (+)	Pin 85 of Remote Start Relay. Pin 85 of Remote Run Relay
G	Remote Resume	Input Active Ground	Pin 19 of Engine ECM
H	Remote Set	Input Active Ground	Pin 12 of Engine ECM
J	Remote Throttle Position	Input, Variable 0-5V	Pin 63 of Engine ECM
K	Remote Run	Input 12V (+)	Pin 87A of Remote Run Relay
L	IGN (Switch) Power	Output 12V (+)	Tied To Pin A of 23-Way Connector. Cab PDC Fuse A9 10A Fused
M	J1939 K-CAN (-)	K-CAN (-)	Pin 43 of VECU C
N	J1939 K-CAN (+)	K-CAN (+)	Pin 42 of VECU C
O	Common Return (General)	Common Ground	Pin 57 of Engine ECM
P	Engine Oil Pressure	Output	Body Builder Supplied Sensor, Input on J668
Q	Remote PTO ON/OFF	Input, Active Low	Pin 94 Engine ECM. Pin 85 of Eaton PTO Relay. Pin 85 of PTO Hour Meter Relay
R	DEF Lamp Return	Output, Active Low	Pin 2 of Engine ECM
S	Regeneration Lamp Return	Output, Active Low	Pin 23 of Engine ECM
T	External Regeneration Notification	Output, Active	Pin C7 of Chassis Module
U	Common Return (Switch)	Common Switch Ground	Pin 62 of Engine ECM
V	Torque Limit Switch	Input Ground	Pin 93 Engine ECM
W	Remote Throttle Sensor Supply (+5V)	Output 5V (+)	Pin 8 Engine ECM
X	Remote ECM Power Engine Run	Input 12V (+)	Pin 87 Remote Run relay

MAIN POWER DISTRIBUTION CENTER



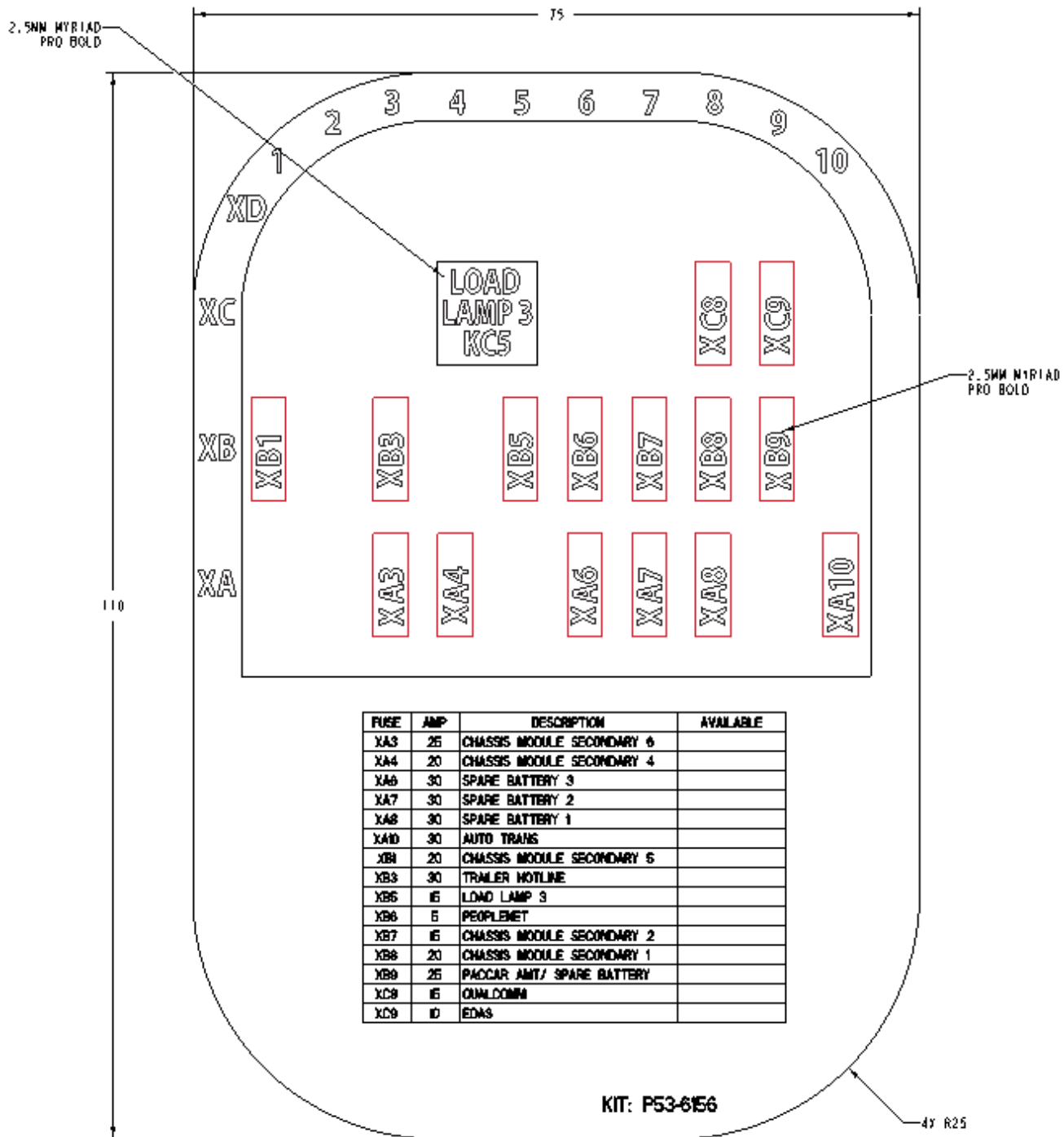
AUX POWER DISTRIBUTION CENTER



Dash Side Fuse Box Full Content Population



Dash Side Aux Fuse Box Full Content Population



FUSE	AMP	DESCRIPTION	AVAILABLE
XA3	25	CHASSIS MODULE SECONDARY 6	
XA4	20	CHASSIS MODULE SECONDARY 4	
XA6	30	SPARE BATTERY 3	
XA7	30	SPARE BATTERY 2	
XA8	30	SPARE BATTERY 1	
XA10	30	AUTO TRANS	
XB1	20	CHASSIS MODULE SECONDARY 5	
XB3	30	TRAILER HOTLINE	
XB5	15	LOAD LAMP 3	
XB6	5	PEOPLEMET	
XB7	15	CHASSIS MODULE SECONDARY 2	
XB8	20	CHASSIS MODULE SECONDARY 1	
XB9	25	PACCAR AMT/ SPARE BATTERY	
XC8	15	QUALCOMM	
XC9	10	EDAS	

Engine Side Fuse Box Full Content Population

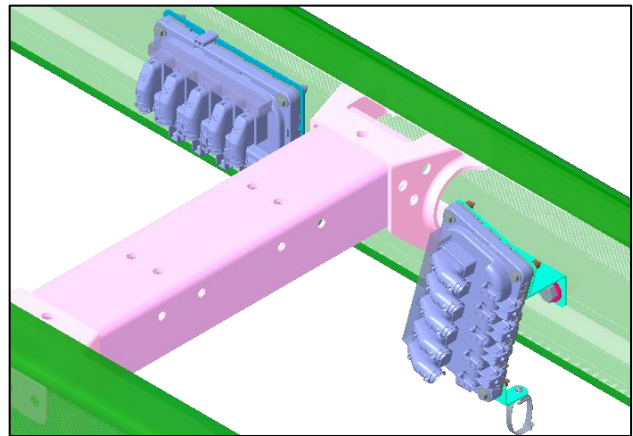
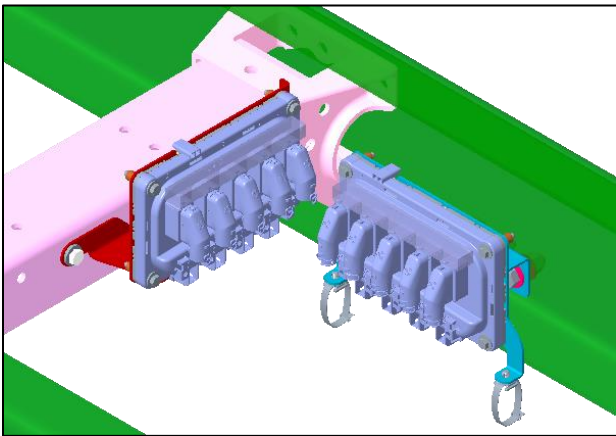
FUSE	AMP	DESCRIPTION
A1	25	MX ENGINE POWER 1
A2	15	ENGINE ACCESSORY POWER
B1	15	MX ENGINE POWER 2
B2	15	MX ENGINE POWER 3 / VTG
B3	15	AFT POWER

CHASSIS MODULE

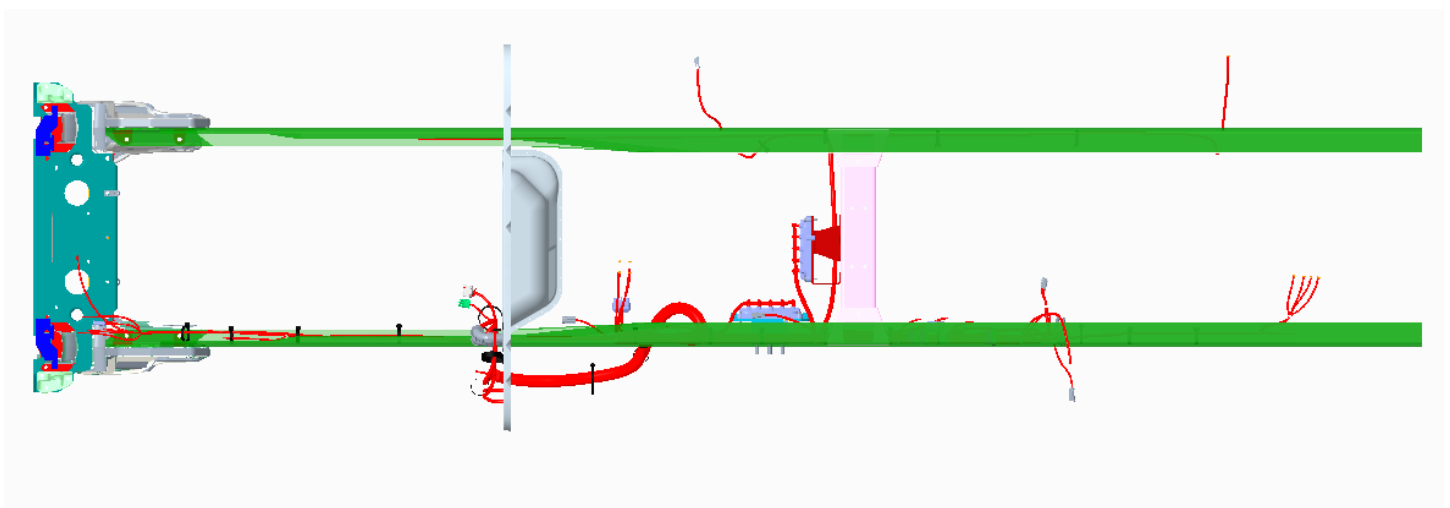
The standard chassis modules are replacing the legacy NAMUX3.5 chassis node. The standard chassis modules are a slave I/O driver controlled by the VECU. The standard chassis modules have an expanded functionality and option platform growth in comparison to the chassis node. There is hardware and software based protections to prevent damage. The standard chassis modules will generate and store faults to free up space for the VECU. The standard chassis module can be diagnosed through DAVIE service tool.

There will be two standard chassis modules with one primary chassis module on all trucks and a secondary for optional content. The primary chassis module will be mounted on the left hand side on the rail and secondary chassis module will be mounted on BOC crossmember or left hand frame rail as per requirement.

Chassis Module Locations



Plan View of Chassis Module Locations



CHASSIS MODULE FUNCTION DESIGNATION**Primary Chassis Module**

- Exterior Lighting: Headlamps, Park/Tail, Turn, Brake, DRL, Reverse etc.
- Axle Temperature Sensor Inputs Front Rear and Rear
- Ammeter Sensor Input
- Secondary Kingpin Release Solenoid Control
- Primary/Secondary Fuel Level Sensors
- Lift Axle Air Solenoid Controls 1st, 2nd
- Primary Transmission Neutral Position Switch
- Remote PTO/Throttle Control Inputs
- J-CAN Multiplexed EOA Solenoid Bank Control
- Fuel Filter Gauges
- Main Transmission Oil Temp
- Diff Lock for Rear Axle

Secondary Chassis Module

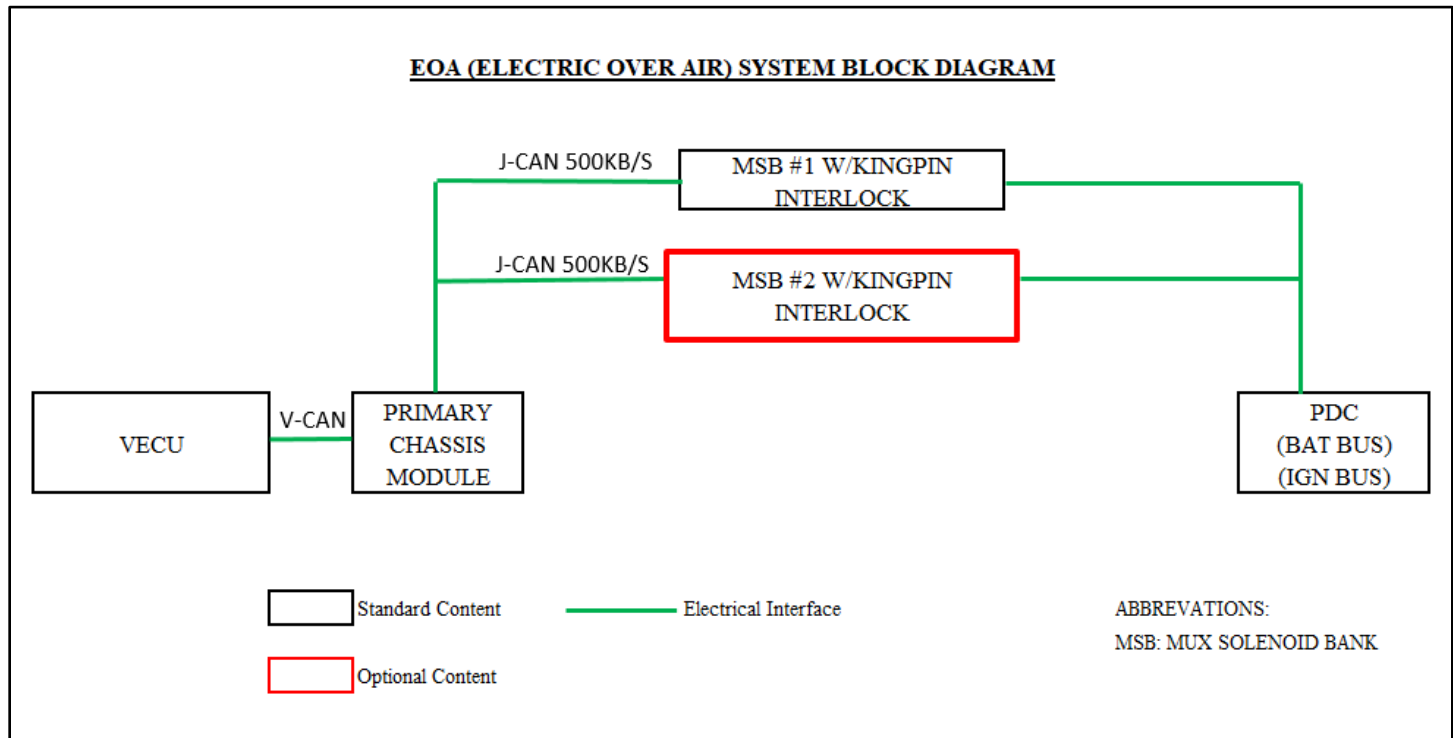
- AT1202 Aux Trans Neutral Switch
- Axle Temperature Gauges Center Rear
- Lift Axle Air Solenoid Controls 3rd , Tag (Rocker Panel Controls)
- NAMCO Split shaft PTO/Transfer Case Sensors
- Aux Transmission Temperature Sensor
- Split Shaft PTO Temperature Sensor
- ISO 3731 Spare Outputs
- Transfer Case Temp Sensor

ELECTRIC OVER AIR SOLENOIDS

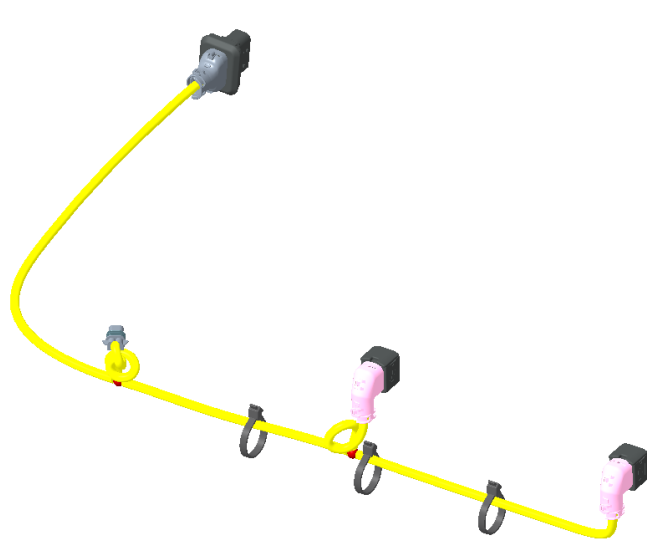
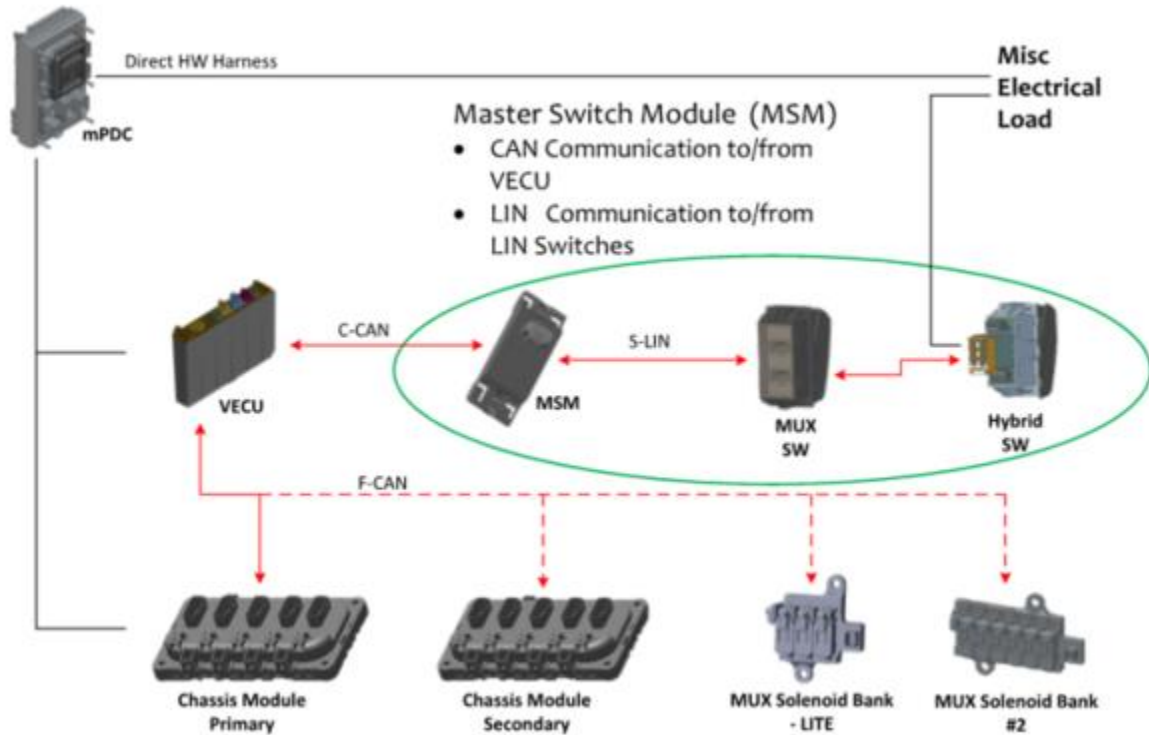
Air solenoids are devices that translate the electrical signal into physical functions that control the air pressure in various circuits. The air solenoids are mounted to a bracket outside the cab. The solenoids are designed to stack on each other so that they share a common air supply, which reduces the amount of airlines on the vehicle.

The aftermarket installer/final vehicle manufacturer needs to decide what type of valve to install and ensure that the documentation to the operator provides them with enough understanding of how the customized switches work.

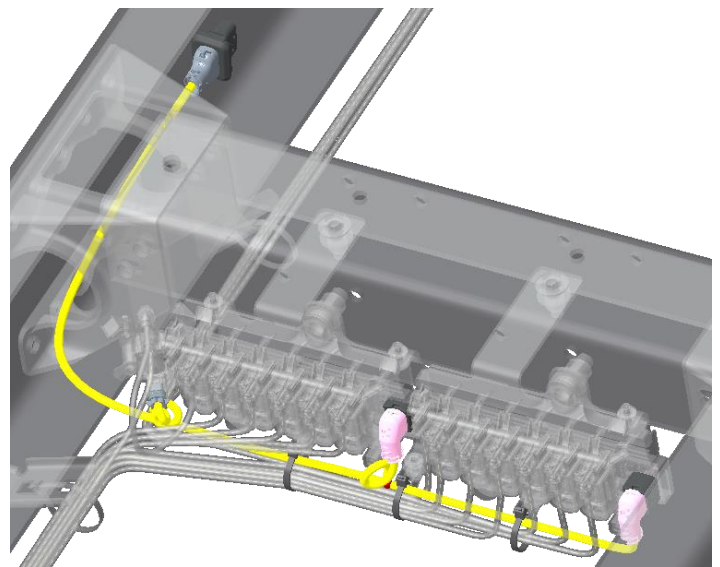
SOLENOID BANK DIAGRAM



OVERVIEW LAYOUT



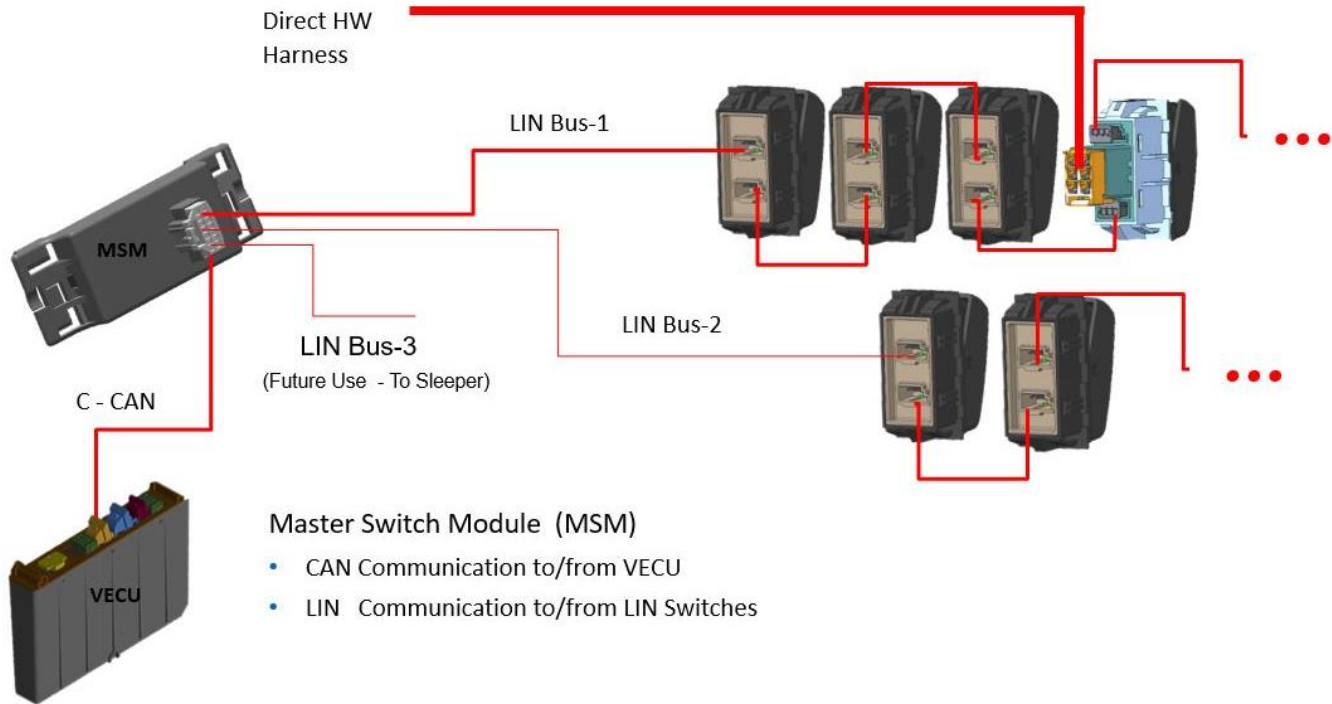
Mux Solenoid Harness



Mux Solenoid Bank

SWITCHES

OVERVIEW LAYOUT



Multiplexing – shorter wire bundles, improved diagnostics, and greater driver feedback. Safety critical switches use hybrid switch with hardwire for redundancy. The switches are less expensive with fewer wires behind the dash and on the chassis. The switches are self-diagnosable to improve troubleshooting with DAVIE.

Master Switch Module (MSM)

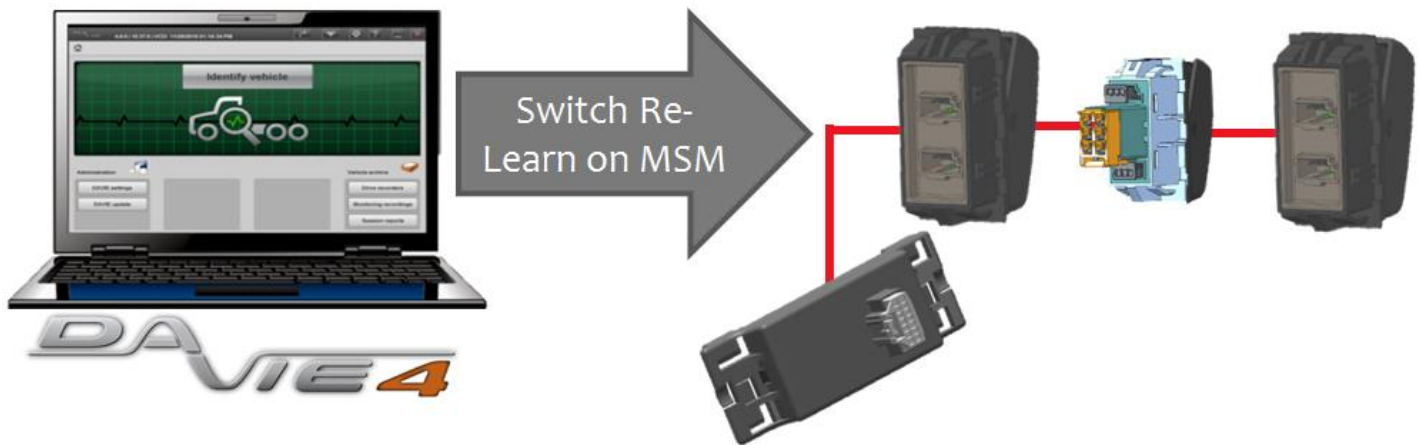
LIN – Communication to/from Switches

CAN – Communication to/from VECU

SPARE SWITCHES

Spare switches offer customers and body builders a convenient way to control power and air to various sources, like a body or trailer. They should be flexible and easily configurable to meet the vast and unique needs of body builders.

SWITCH RELEARN PROCESS



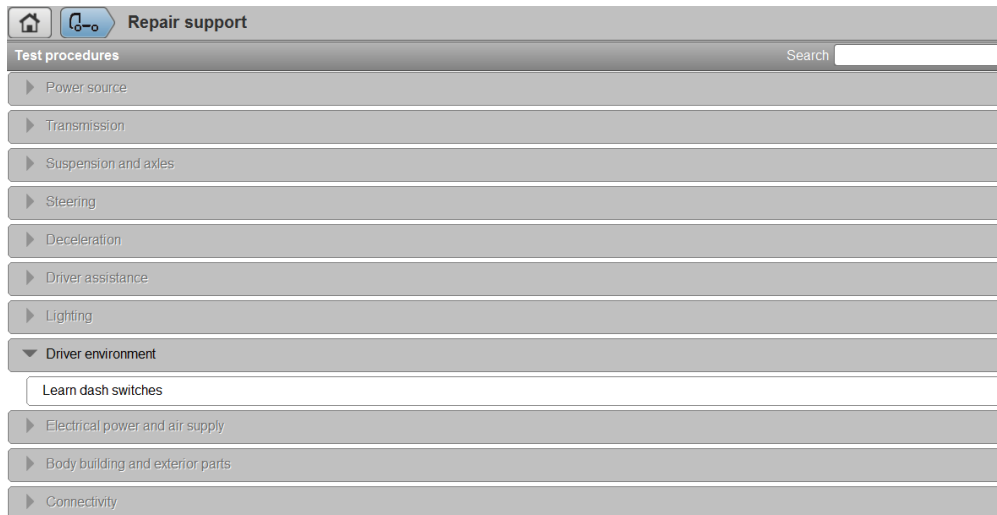
Switch replacement installation instructions:

1. Turn off the engine and all switches
2. Remove dash panel
3. Unplug LIN jumpers from the original existing switch
4. Remove original switch
5. Replace the old switch with the new switch
6. Reconnect LIN jumpers into the replacement switch
7. Reinstall the dash panel
8. Open DAVIE application
9. Select the "Repair Support" tab.
10. Select the "Driver Environment" tab
11. Select the "Learn Dash Switches"
12. When prompted by DAVIE Cycle the key on and then off
13. Run "Quick Check"
14. Clear Inactive DTCs (Diagnostics trouble code) from MSM
15. Finished

New switch installation instructions:

1. Turn off the engine and put all switches into the off position
2. Remove the dash panels
3. Remove the switch blank
4. Add the new switch into the dash panel
5. Connect the LIN jumper between the last open switch to the newly installed switch
 - a. Part Number S92-1127-0125
6. Reinstall the dash panel
7. Open DAVIE application
8. Select the "Repair Support" tab.
9. Select the "Driver Environment" tab
10. Select the "Learn Dash Switches"
11. Cycle the key on and then off
12. Run "Quick Check"
13. Clear Inactive DTCs (Diagnostics trouble code) on the MSM
14. Finished

DAVIE Switch Relearn Screen View



Switch Location

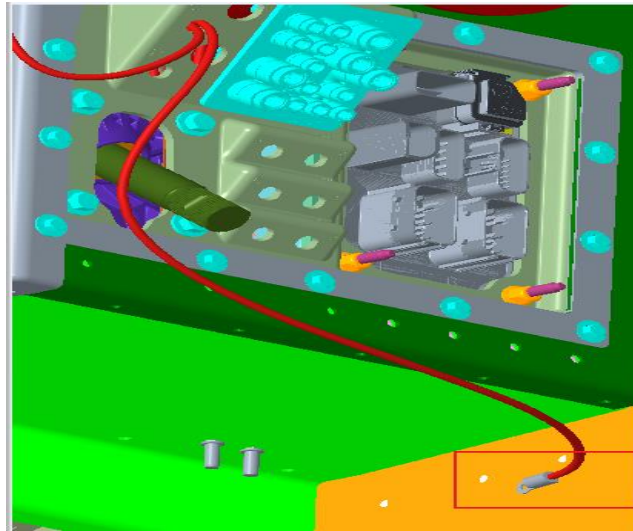
Switches on the same LIN bus can be reordered in any configuration without the need to run a relearn process with DAVIE tool. Switches that are swapped across LIN busses will need to be relearned with DAVIE. LIN bus 1 consists of all the switches on the D panel and B panel. LIN bus 2 consists of all the switches the C panels.

Dash layout



GROUNDING

Grounding any post-OEM component/device/apparatus/etc. to the metal cab structure or frame is not acceptable. Failure to properly ground add-on components can result in vehicle damage and possibly bodily injury. Ground all post-OEM component/device/apparatus/etc. with combined current draw of less than 30A to the firewall ground buss bar with appropriately sized wire/cable for the load required.

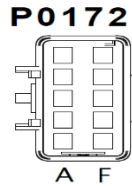


Grounding Point – Below Cab floor LH hand Cab SIL

Post OEM components/devices/apparatus/etc. with combined current draw in excess of 30A, ground must be attained from vehicle batteries directly with appropriately sized wire/cable for the load required.

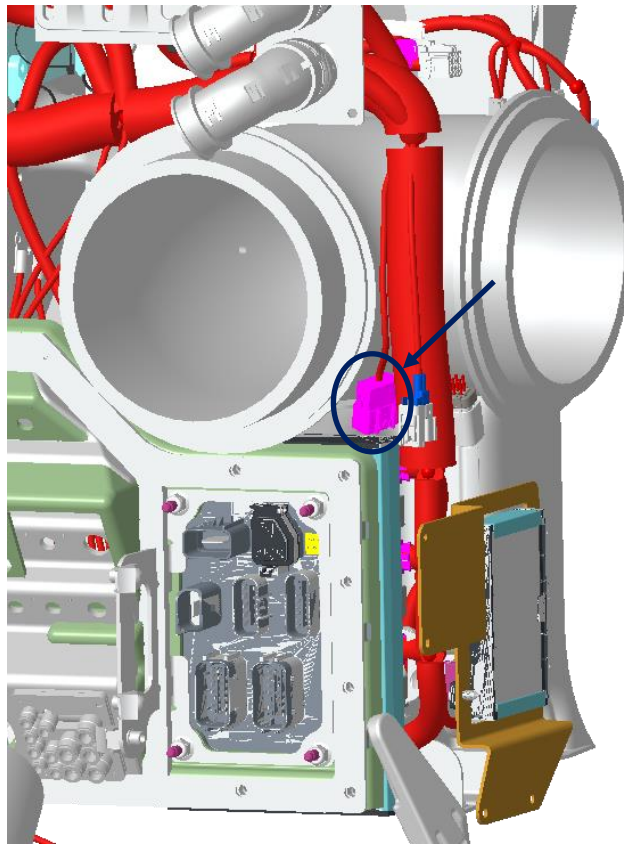
SPARE POWER

Spare power connector P0172 is located on lower left side of the dash behind A-panel near MPDC. The mating harness is available from PACCAR parts with pre-labeled pigtailed. Any spare power requiring more than 20 amps must go directly to the battery box, not this spare circuit.

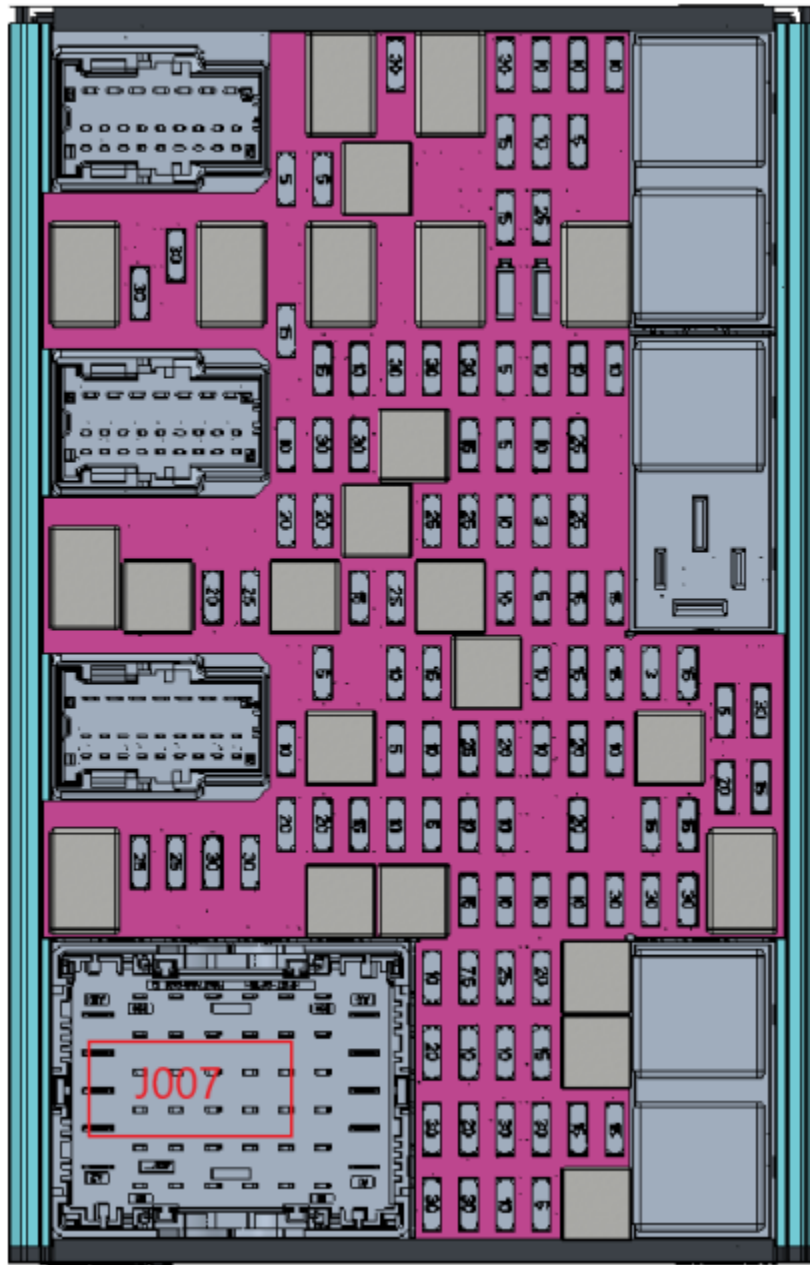


Pin	Spare Circuit No.	Designation	Max Rating
F	ORN0730-4	SPARE LVD IGNITION 6	(30A)
C	RED0790-1	SPARE LVD BATTERY 3	(30A)
E	ORN0730-3	SPARE LVD IGNITION 5	(30A)
B	RED0790-6	SPARE LVD BATTERY 2	(30A)
D	ORN0730-2	SPARE LVD IGNITION 4	(30A)
A	RED0790-5	SPARE LVD BATT PWR 1	(30A)

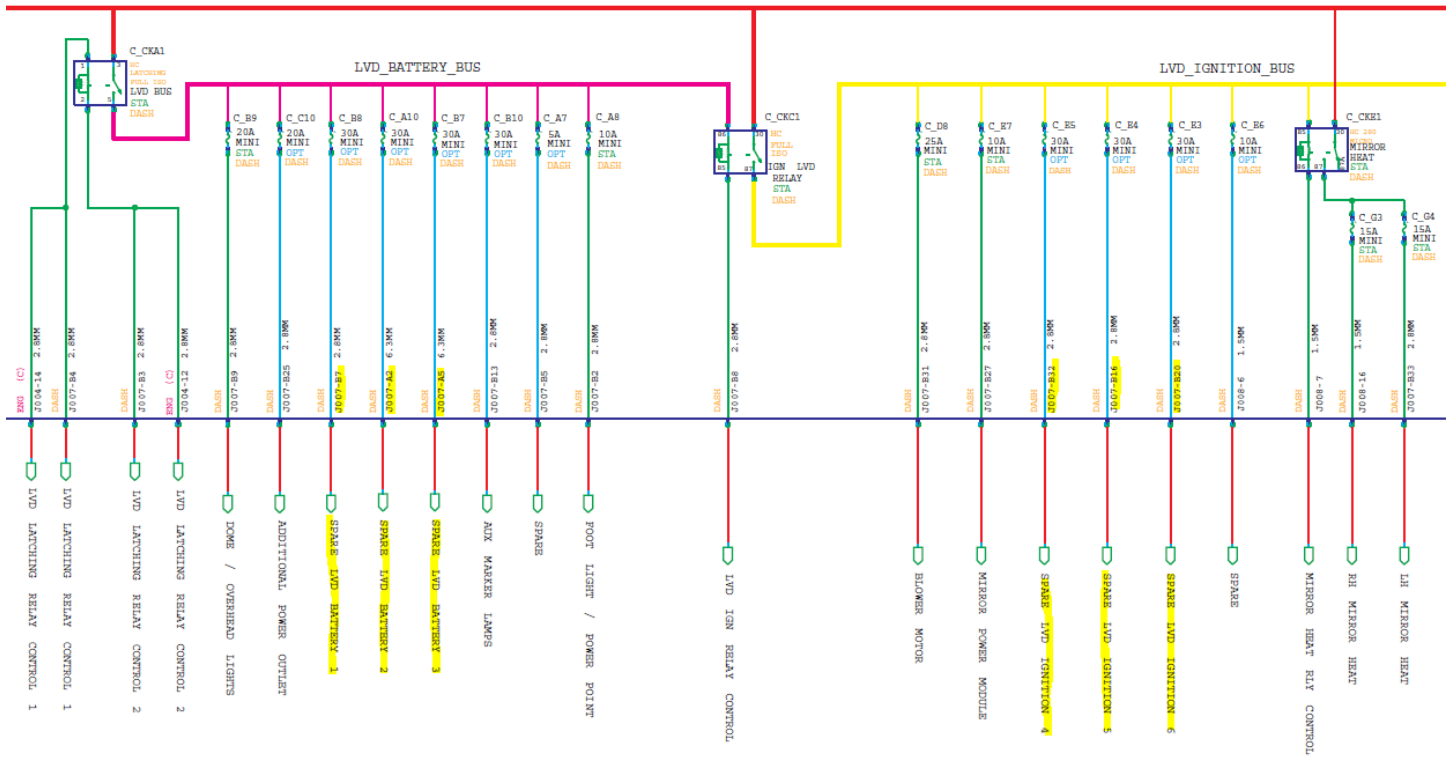
SPARE CIRCUIT CONNECTOR LOCATION



SPARE CIRCUIT LOCATION



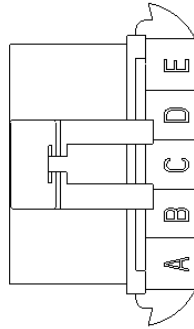
Spare circuit location on Power Distribution Center (MPDC- J007)



Spare circuit diagram (P0172 and J007)

TRANSMISSION BACK UP SIGNALS

The back-up signal can be accessed from pin A of the 5-way tail light connector located at the end of frame. The tail light connector is a 5-way connector located in the chassis harness at the end of frame. It will either be connected to a tail light, a jumper harness, or tied up in the rail if no taillights are provided.

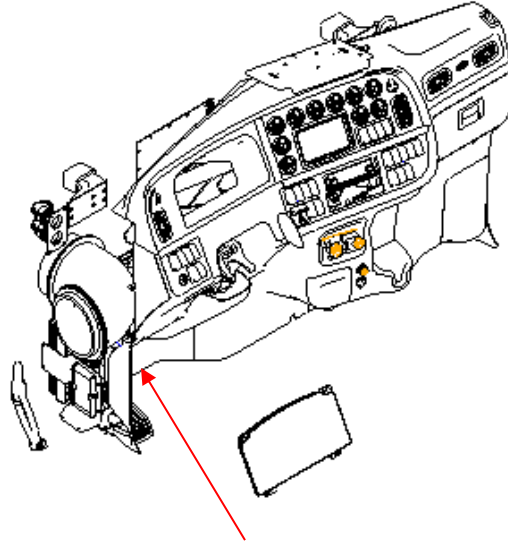


PIN	CIRCUIT DESCRIPTION
A	BACKUP LAMPS
B	TAIL LAMPS
C	TURN INDICATORS REAR, LH
D	TURN INDICATORS REAR, RH
E	FIREWALL GND

Mating Connector: Packard PN 12186400

TELLTALE ICONS

Removing the first panel will allow the panel covering the instrument cluster to be removed. Removing the cluster is necessary to install telltale symbols or access other connectors to complete the installation.



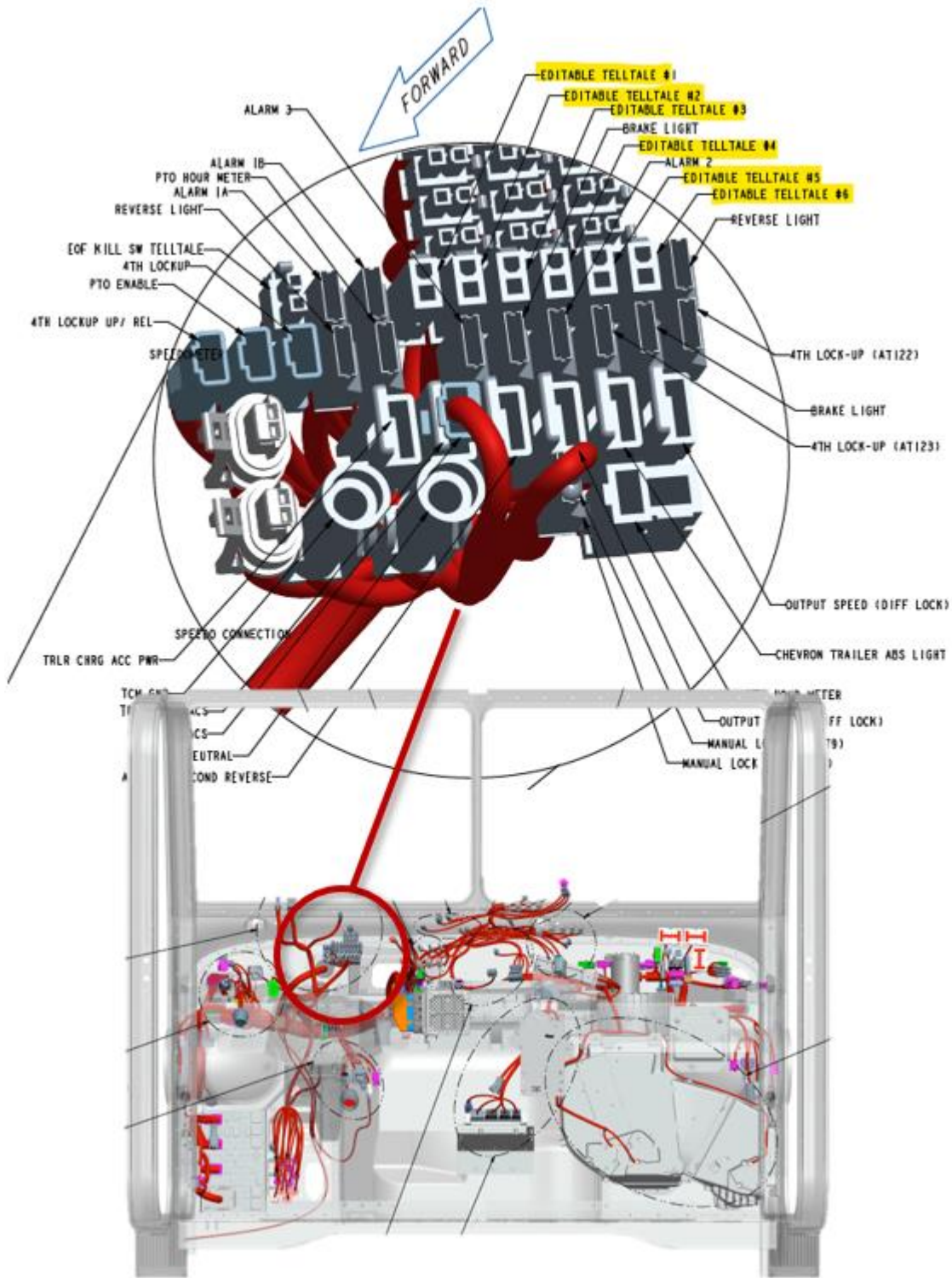
Programming Cable Location

To install new telltales into the instrument cluster, the cluster needs to be programmed. Display cluster programming cable is located near the kick panel. It is accessible by removing the kick panel. The instrument panel trim is removed after removing the panel immediately to the right of the instrument cluster. Then 4 fasteners hold the instrument cluster to the dash structure.



Telltale Installation

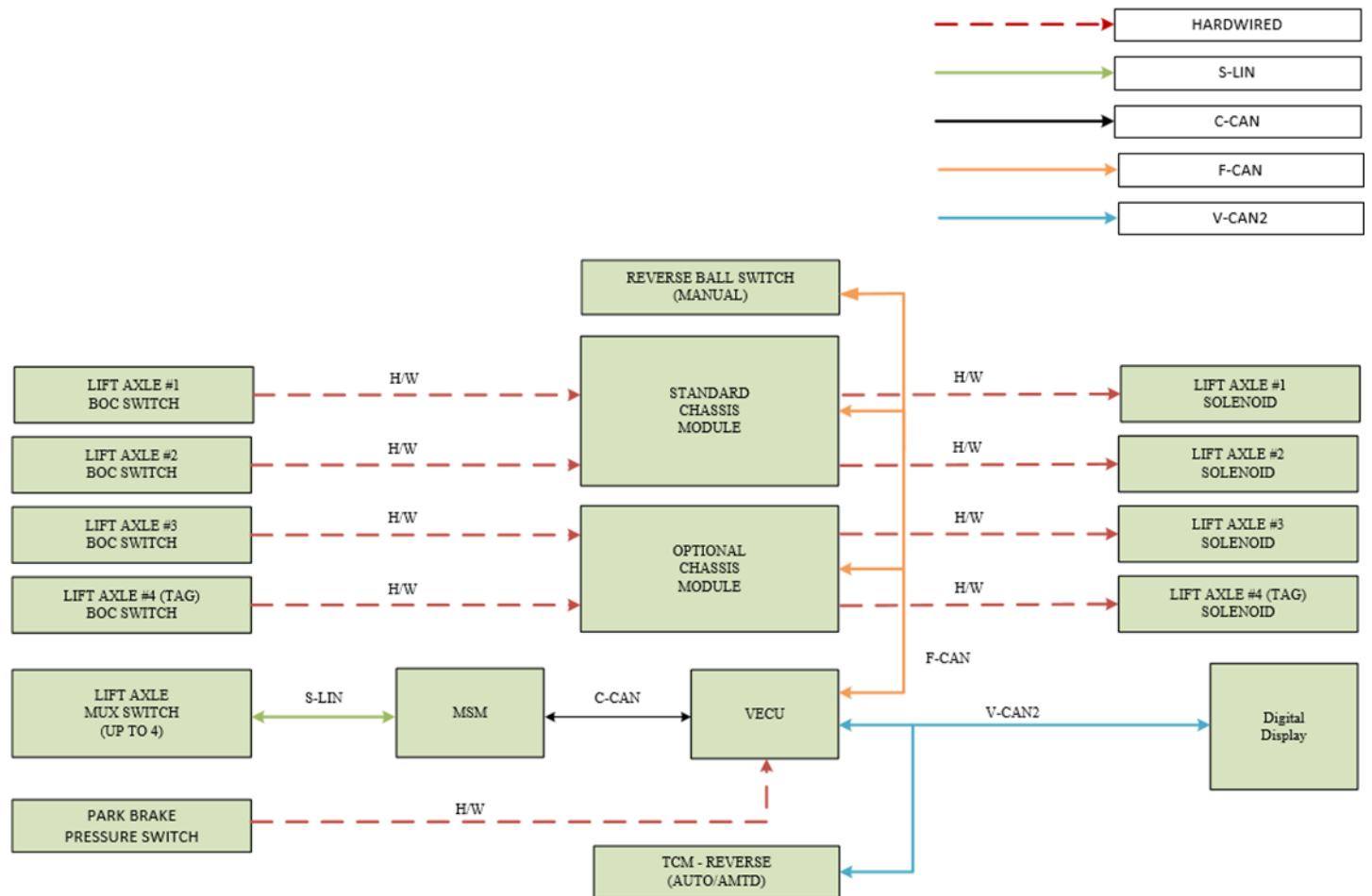
TELLTALE CONNECTOR LOCATIONS



LIFT AXLES (PUSHERS & TAG)

All truck lift axles (pushers and tag), are direct wire Electric-Only from the switch to the axle mounted solenoid. This is not from the EoA Solenoid Bank. There are a total of four lift axle controls available; 3 pushers and 1 tag axle. These are controlled with separate switches by default. The customer can order the following configurations; steerable, non-steerable, with auto-reverse, and with park brake interlock. A lift axle comes with a control switch (single or separate), a gauge, and a regulator valve.

LIFT AXLE DIAGRAM



TRUCK LIFT AXLE LOGIC

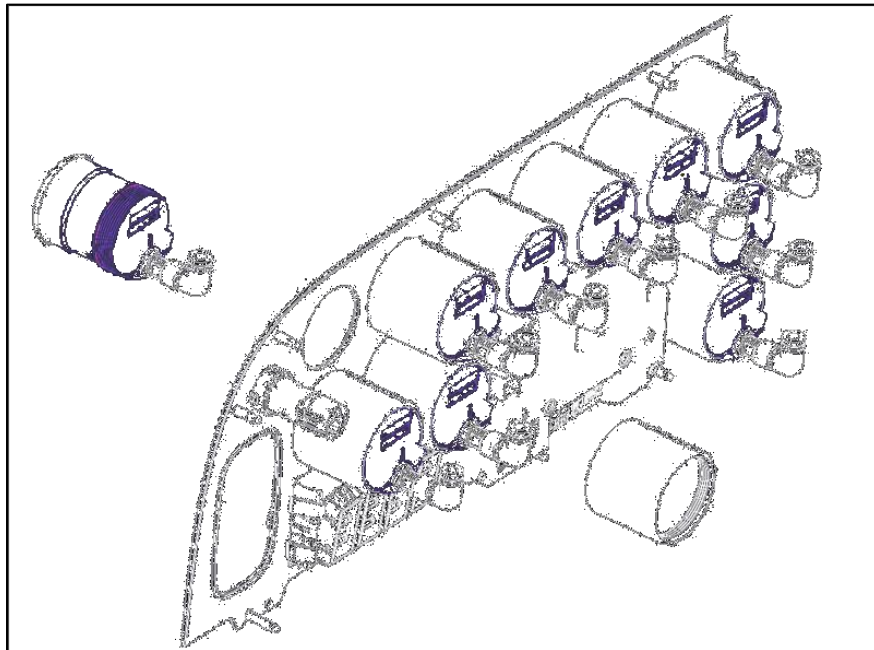
Lift Axle Type	Raise Condition Logic	Lower Condition Logic
Steerable Lift Axle w/o Auto-Reverse	- Lift Switch is Inactive OR - Park Brake Active OR - Trans in Reverse	- Lift Switch is Active AND - Park Brake Inactive AND - Trans Not is Reverse
Steerable Lift Axle with Auto-Reverse OR Non-Steerable Lift Axle w/o Park Brake	- Lift Switch is Inactive OR - Park Brake Active	- Lift Switch is Active AND - Park Brake Inactive AND
Non-Steerable Lift Axle with Park Brake	- Lift Switch is Inactive AND - Park Brake Inactive	- Lift Switch is Active OR - Park Brake Active

TRAILER LIFT AXLE

Trailer lift axles can be either EoA or Electric-Only type. There are a total of two available EoA trailer lift axle controls using latching solenoids. If one axle is ordered, the customer will receive a switch labeled “Trailer Lift Axle”. If two axles are ordered the customer can have a single switch that controls both axles or two switches. If two switches are present they are labeled “Forward Trailer Lift Axle” and “Rear Trailer Lift Axle”.

GAUGES

Gauges and switches are fastened directly to the panel. Once the panel is free, the gauge or switch can be installed. Gauges are held by a screwed on collar while switches have a plastic tab. Optional gauges may be installed and connected to the VECU via a jumper harness.



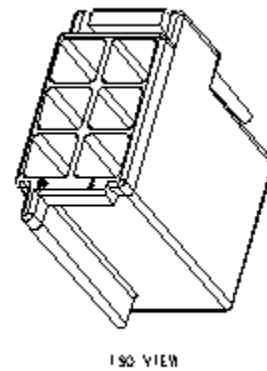
COMMON TERMINALS AND PINS FOR BODY BUILDER CONNECTIONS

HYBRID SWITCHES – NON WIRED

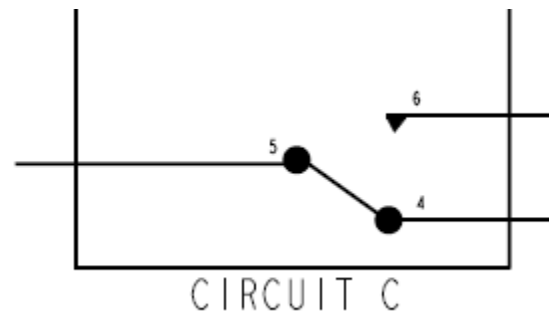
Mating Connector Number	
P20-1413	
Terminal Number	
20-18 AWG	1-968849-1
16-14 AWG:	1-968851-1
11 AWG	1-968853-1

Lin Jumpers
S92-1127-0350
S92-1127-0125
S92-1127-1350
(Last 4 digits are the length in mm)

Two Position	
P27-6252-131-01	Spare A
P27-6252-132-01	Spare B
P27-6252-133-01	Spare C
P27-6252-134-01	Spare D
P27-6252-135-01	Spare E
P27-6252-136-01	Spare F
P27-6252-137-01	Spare G
P27-6252-138-01	Spare H
P27-6252-139-01	Spare I
P27-6252-140-01	Spare J
P27-6252-141-01	Spare K



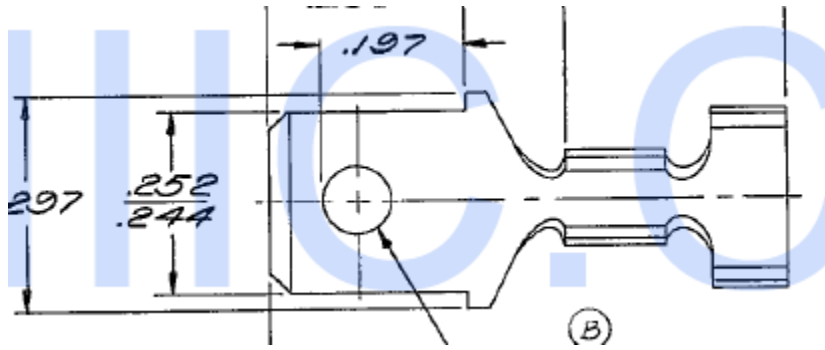
Momentary	
P27-6252-151-01	Spare
P27-6252-152-01	Spare 2
P27-6252-153-01	Spare 3
P27-6252-154-01	Spare 4



DASH SWITCHES WIRED

Mating Connector Type
1/4" Male Blade
Example Part Number
2965440

Connection Location
8" behind switch



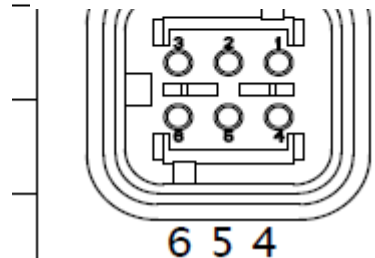
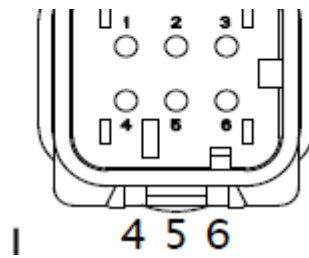
BOC-EOF WIRED SWITCH

Mating Connector Number	
P20-1236-81069	
Terminal Number	
20-18 AWG	1924463-1
16-14 AWG:	2098250-3
Plug	776364-1
Note: Cap Installed From Factory	

Connection Location
Connection at BOC or EOF depending on selected option

MATING CONNECTOR

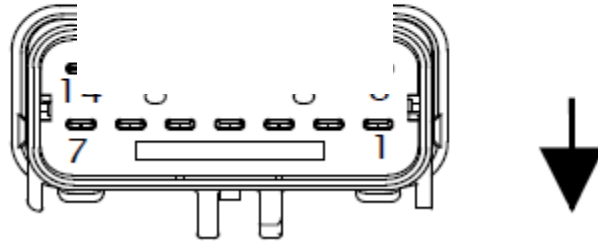
TRUCK HARNESS CONNECTOR



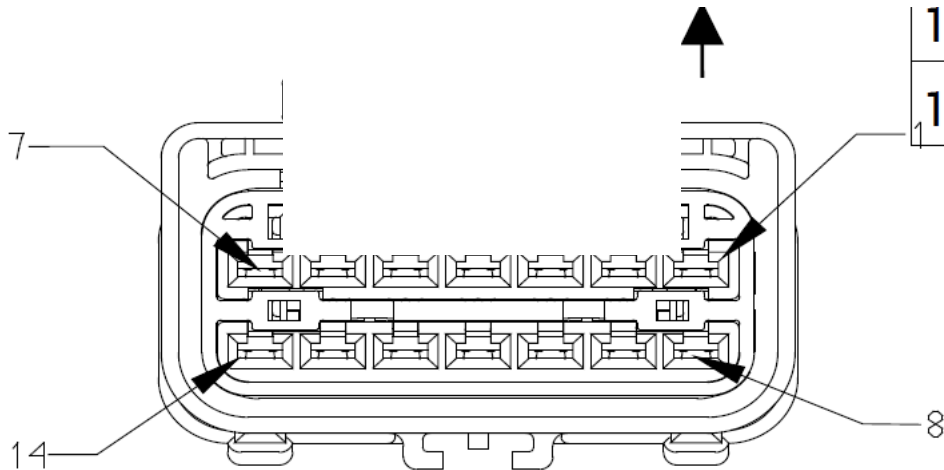
RP1226

Mating Connector Number	
P20-6280-22142120	
Terminal Number	
20-18 AWG	54001801
16-14 AWG:	54001401
Plug	54200005
Note: Cap Installed From Factory	

MATING CONNECTOR



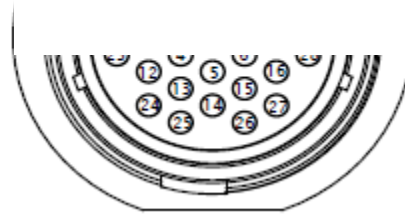
TRUCK HARNESS CONNECTOR



RP170 31-PIN

TRUCK HARNESS CONNECTOR

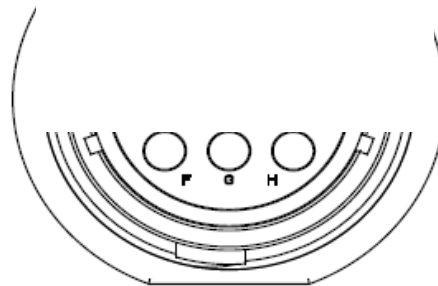
Mating Connector Number	
P20-6386-3130	
Terminal Number	
18-14 AWG	1060-16-0122
Plug	114017



RP170 8-PIN

TRUCK HARNESS CONNECTOR

Mating Connector Number	
P20-6386-0810	
Terminal Number	
12-14 AWG	1060-12-0122
Plug	114017

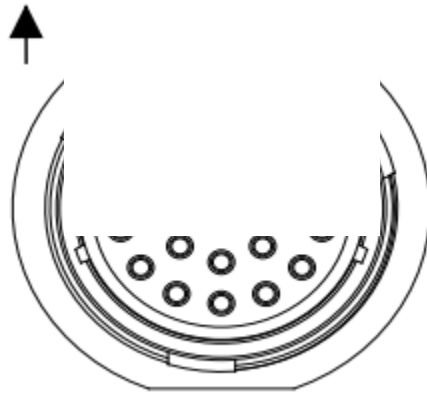


23-PIN

MATING CONNECTOR

TRUCK HARNESS CONNECTOR

Mating Connector Number	
P20-1134-23-1-0	
Terminal Number	
18-14 AWG	1060-16-0122
Plug	114017
Note: Cap Installed From Factory	

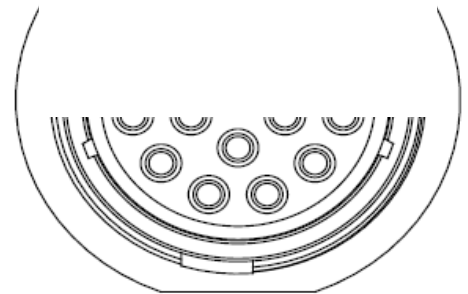


16-PIN

MATING CONNECTOR

TRUCK HARNESS CONNECTOR

Mating Connector Number	
P20-1133-16-3-0	
Terminal Number	
18-14 AWG	1062-16-0122
16-20	1062-16-0622
Plug	114017
Note: Cap Installed From Factory	



12-PIN

Mating Remote PTO/Throttle	
Paccar P/N	P20-1372-1112H
TE P/N	DT04-12PA-CE02
Terminals	
16-20 AWG	0460-202-16141
14 AWG	0460-215-16141
Plugs	0413-217-1605
Note: Cap Installed From Factory	



TRUCK CONNECTOR

P197C-Remote PTO Chassis

Equipped: Optional
 Available Locations: Firewall, BOC/BOS, EOF
 Supplier: Deutsch-DT Series



MATING CONNECTOR

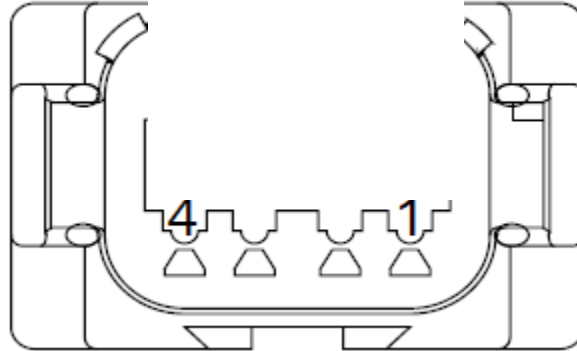
Mating Connector:
 PACCAR P/N: P20-1372-1112H
 TE P/N: DT04-12PA-CE02)
 Terminals:
 16-20 awg: 0460-202-16141
 14 awg : 0460-215-16141
 Plugs: 0413-217-1605

Note: Cap installed from Factory

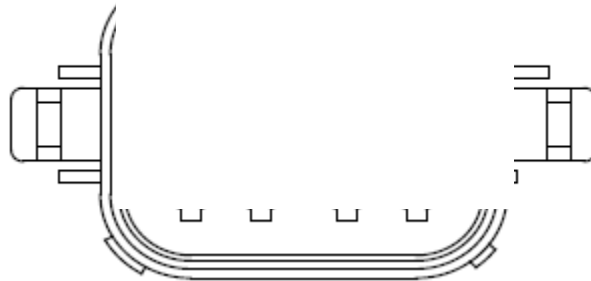
8-PIN

Mating Connector Number	
P20-1372-2108H	
DT06-08SA-CE06	
Terminal Number	
16-20 AWG	0460-202-16141
14 AWG	0460-215-16141
Plugs	0413-217-1605
Note: Cap Installed From Factory	

MATING CONNECTOR



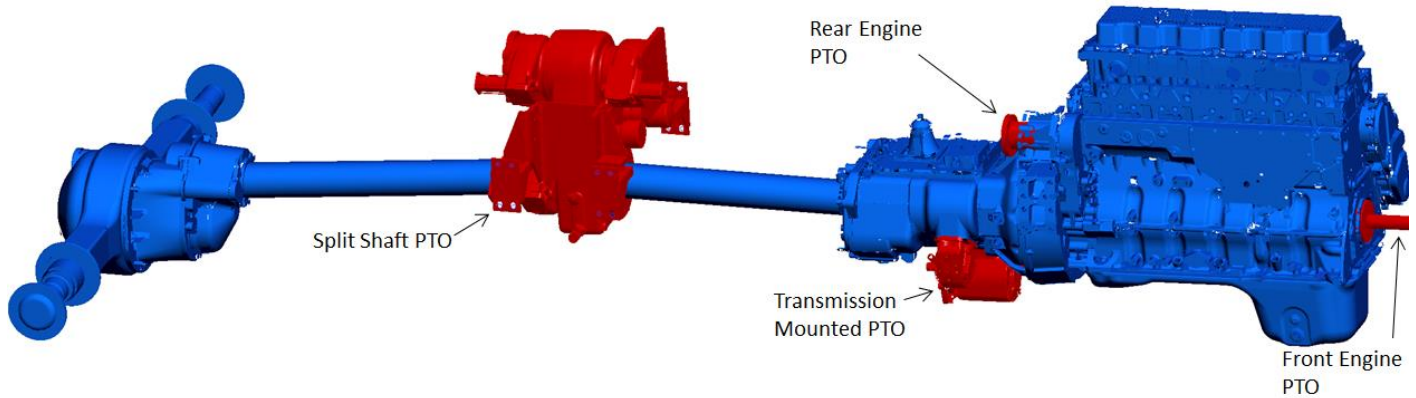
TRUCK HARNESS CONNECTOR



SECTION 8 POWER TAKE-OFF (PTO)

INTRODUCTION

A Power Take Off (PTO) provides a way to divert some or all of the trucks engine power to another component. There are a wide variety of PTO options available.



PTO Acronym Library

Acronym	Definition	Acronym	Definition
ABS	Anti-Lock Braking System	PMC	PTO Mode Control
CAN	Controller Area Network	PSC	PTO Speed Control
CC	Cruise Control	PTO	Power Take Off
DEF	Diesel Exhaust Fluid	PVP	PACCAR Vehicle Pro
DTC	Diagnostics Trouble Code	RP1226	TMS Messaging Standard
ECM	Engine Control Module	SCM	Standard Control Module
ECU	Electrical Control Unit	SCR	Selective Catalyst Reduction
EIST	Engine Idle Shutdown Timer	SPN	Suspect Parameter Number
EOA	Electric Over Air	TCM	Transmission Control Module
EOH	Electric Over Hydraulic	TSC1	Torque Speed Control (request)
FIC	Fast Idle Control	VECU	Vehicle Electronic Control Unit
J-1939	SAE CAN Communication Standard		
LIN	Local Interconnect Network		
MSB	Master Solenoid Bank		
MSM	Master Switch Module		
MUX	Multiplex		
OBD	On Board Diagnostics		
OCM	Optional Control Module		
OEM	Original Equipment Manufacture		
PCC	Predictive Cruise Control		
PDC	Power Distribution Center		
PGN	Parameter Group Number		

TRANSMISSION MOUNTED PTO

MANUAL TRANSMISSIONS

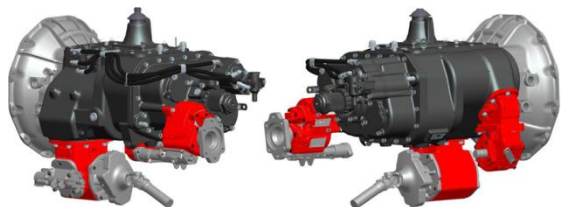
This is the most common type of PTO that is used. On a manual transmission there are two locations for PTO's. On medium duty transmissions there are 6 bolt PTO locations on the right and left. On heavy duty manual transmissions there is a 6 bolt PTO on the right and an 8 bolt PTO on the bottom left. There are also some options for a thru shaft or extended countershaft PTO. On a thru shaft PTO, the counter shaft extends out through the back of the transmission which can be used to power a PTO. When using a thru shaft PTO the vehicle must be spec'd with the correct option as not all transmissions will be set up for use with thru shaft PTO's. For more information go to www.roadranger.com and enter "PTO Installation Guide" in the search bar in the upper right corner.



MD Manual Transmission



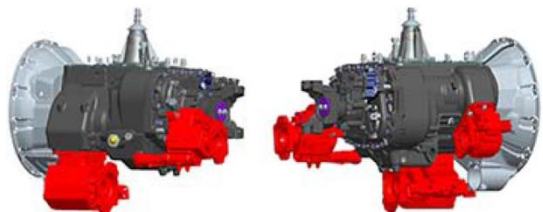
HD Manual Transmission - RT



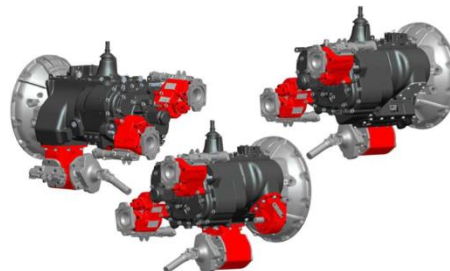
HD Manual Transmission – RT Vocational



HD Manual Transmission – RT Performance



HD Manual Transmission – Fuller Advantage



HD Manual Transmission – FR Series



MD Automated

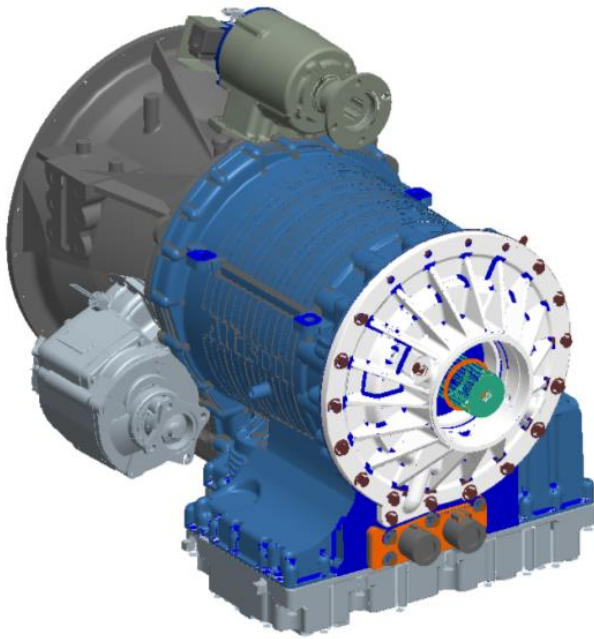


HD Automated – Ultrashift Plus – VCS and VMS

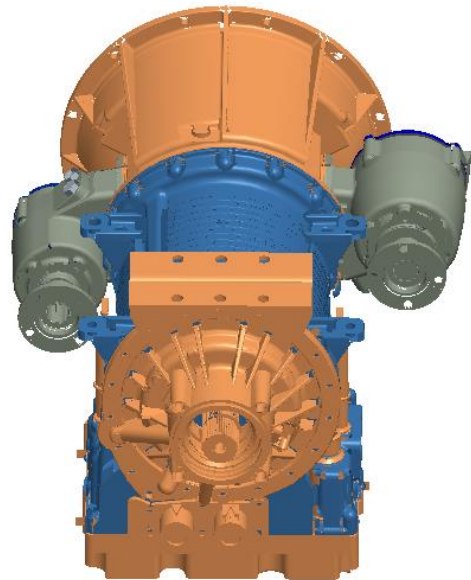
AUTOMATIC TRANSMISSIONS

On Allison transmissions there are two locations for PTO's. The Allison 4000 series has PTO locations at 1 and 8 o'clock viewed from the back of the transmission. The 4000HS transmissions do not have any PTO locations. The 3000 series Allison transmissions have PTO locations at 4 and 8 o'clock. For more information on using PTO's with an Allison transmission go to www.allisontransmission.com and refer to the "Rugged Duty Series Brochure" and "PTO Request Flyer" which is available in a 1000/2000 version and a 3000/4000 version.

Some PTO configurations will have clearance issues with other components on the truck. With manual transmissions, a 6-bolt PTO on the right will typically clear most components when the DPF/SCR are under the cab. This is also true when 30 and 45 degree adapters are used. On Allison 4000 series transmissions, most PTO's will fit in the 1 o'clock position without interfering with the cab. If a wet kit is used here, the dipstick housing will most likely need to be modified as it runs over the top of the transmission to the driver side of the vehicle. The PTO in the 8 o'clock position is typically ok. There are some scenarios where the PTO will be very close to or could interfere with the rear spring shackle on the front suspension. This problem can occur on vehicles with a set-back front axle and the problem is amplified on the short hood models.



Allison 4000 Series



Allison 3000 Series

AUTOMATED TRANSMISSIONS**PACCAR 12 Speed and Endurant Transmission**

The automated transmission is ideal for highway fleets interested in a light-weight fuel efficient transmission. The transmission also offers broad torque coverage of 1450 to 1850 lb-ft without the use of an oil cooler. The Transmission requires a different type of PTO, previous PTO models are not compatible. Contact PTO manufacturer to verify the correct PTO for the automated transmission. Failure to use the correct PTO results in transmission damage. PTO Capabilities are 8-bolt, bottom-mount, 95 HP available while stationary and at low speeds in gears 2, 4, and R2.



Endurant Transmission



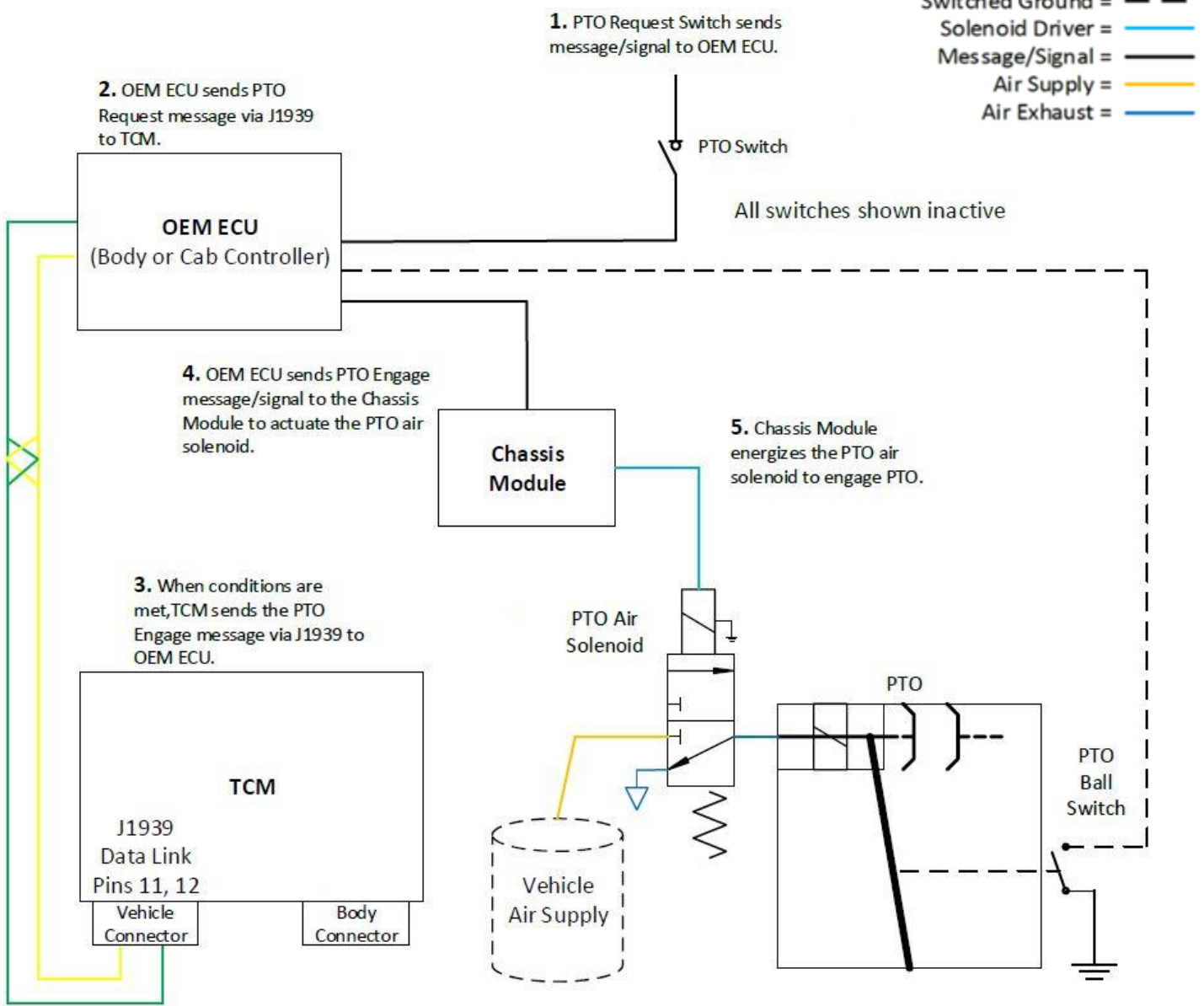
PACCAR 12 Speed

PTO INTERFACE

The following information shows the different types of PTO wiring setup diagrams for the automated transmission.

J1939 PTO Control

- Vehicle J1939 Data Link =
- Battery Voltage =
- Switched Ground =
- Solenoid Driver =
- Message/Signal =
- Air Supply =
- Air Exhaust =



7. OEM ECU sends Confirmation message via J1939 to TCM. PTO ready for operation.

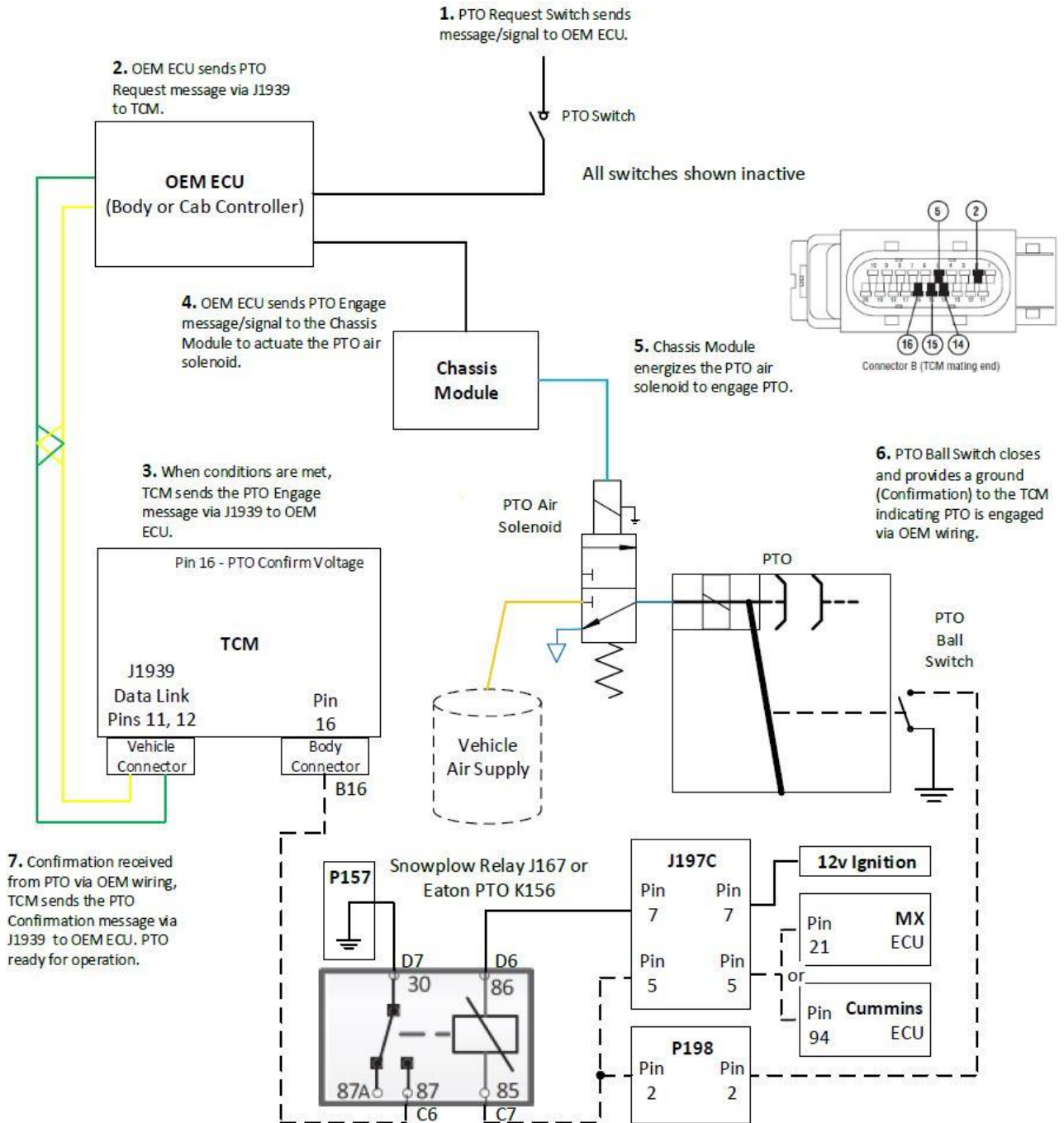
J1939 PTO Control		
From	To	Description
PTO Request Switch	OEM ECU	Request
OEM ECU J1939	TCM J1939	Request
TCM J1939	OEM ECU J1939	Engage
OEM ECU J1939	Chassis Module	Engage
Chassis Module	PTO Air Solenoid	Engage
PTO Ball Switch (Ground)	OEM ECU	Confirm
OEM ECU J1939	TCM J1939	Confirm

6. PTO Ball Switch closes and provides a ground (Confirmation) to the OEM ECU indicating PTO is engaged.

J1939 Request and Engage with Hardwire Confirmation PTO Control

J1939 Request and Engage with Hardwire Confirmation PTO Control		
From	To	Description
PTO Request Switch	OEM ECU	Request
OEM ECU J1939	TCM J1939	Request
TCM J1939	OEM ECU J1939	Engage
OEM ECU J1939	Chassis Module	Engage
Chassis Module	PTO Air Solenoid	Engage
PTO Ball Switch (Ground)	Pin 16 - TCM Body Conn. (Voltage)	Confirm
TCM J1939	OEM ECU J1939	Confirm

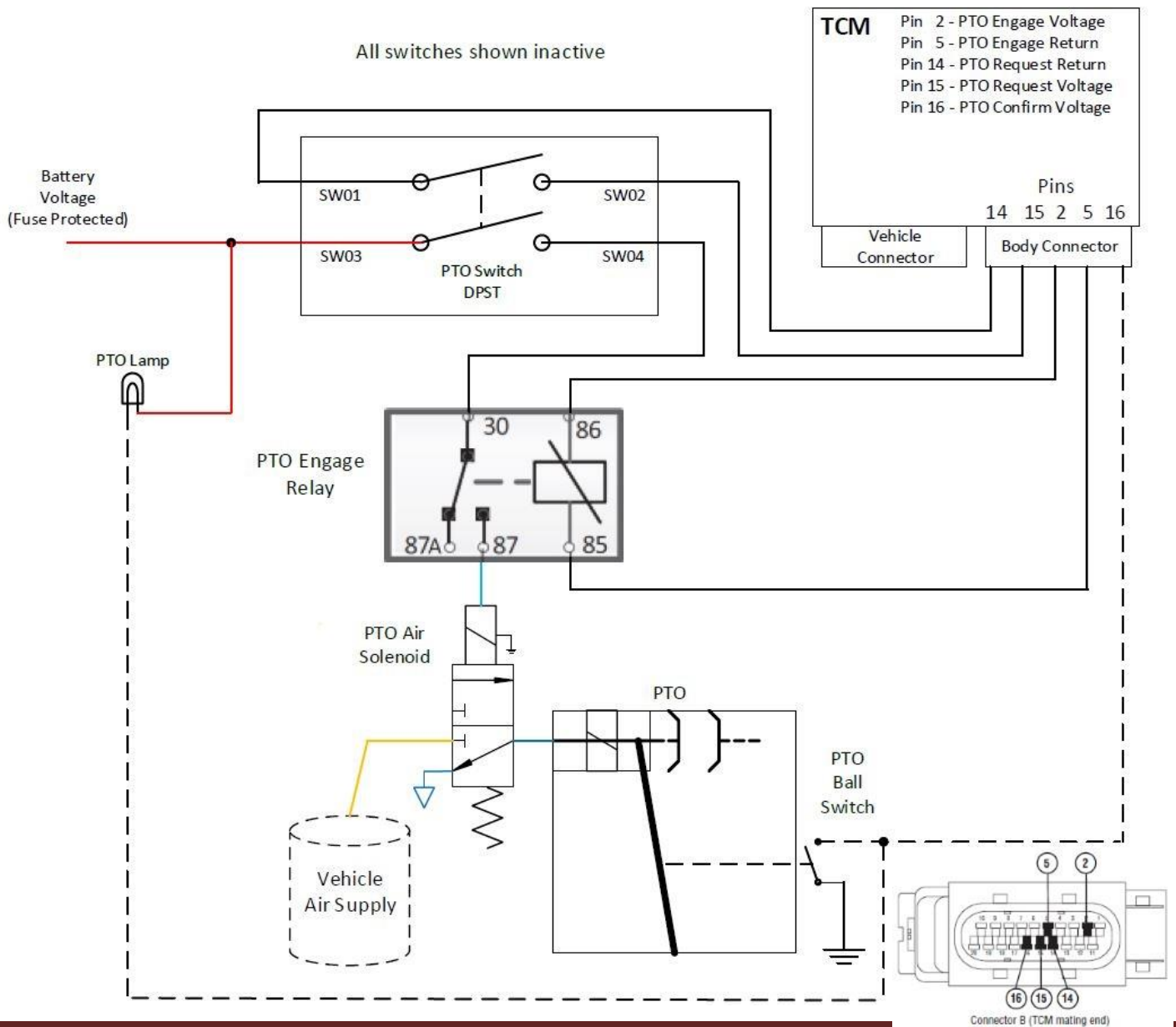
- Vehicle J1939 Data Link =
- Battery Voltage =
- Switched Ground =
- Solenoid Driver =
- Message/Signal =
- Air Supply =
- Air Exhaust =



Hardwire PTO Control with Ground Switched Confirmation

Hardwire PTO Control with Confirm Switched to Ground		
From	To	Description
SW01 - PTO Switch	Pin 14 - TCM Body Conn. (Return)	Request
Pin 15 - TCM Body Conn. (Voltage)	SW02 - PTO Switch	Request
Batt Voltage (Fuse Protected)	SW03 - PTO Switch	Request
SW04 - PTO Switch	Pin 30 - PTO Engage Relay	Request
Pin 2 - TCM Body Conn. (Voltage)	Pin 86 - PTO Engage Relay	Engage
Pin 85 - PTO Engage Relay	Pin 5 - TCM Body Conn. (Return)	Engage
Pin 87 - PTO Engage Relay	PTO Air Solenoid	Engage
PTO Ball Switch (Ground)	Pin 16 - TCM Body Conn. (Voltage)	Confirm
	PTO Lamp (-)	Confirm
Batt Voltage (Fuse Protected)	PTO Lamp (+)	Confirm

- Vehicle J1939 Data Link =
- Battery Voltage =
- Switched Ground =
- Solenoid Driver =
- Message/Signal =
- Air Supply =
- Air Exhaust =

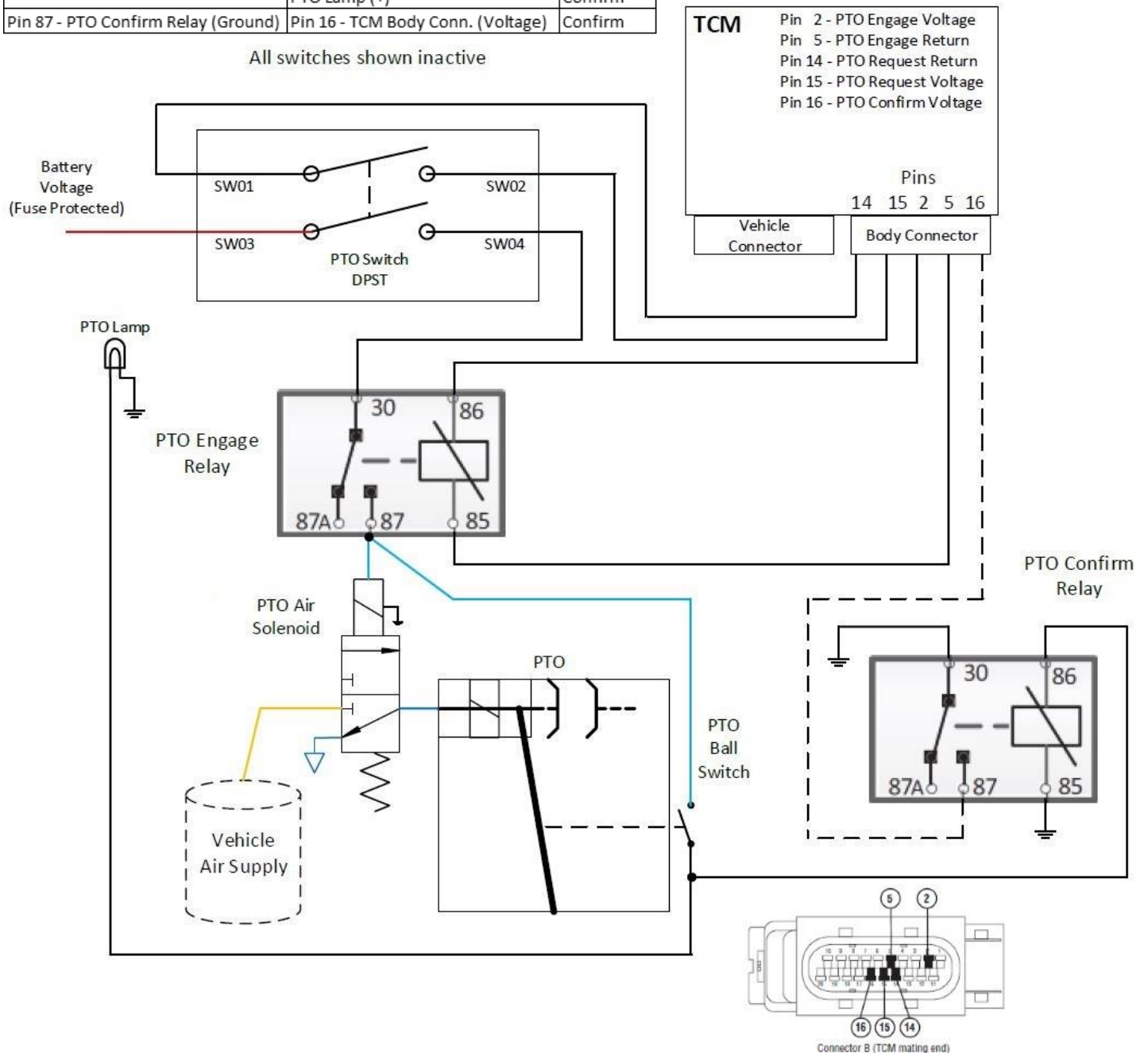


Hardwire PTO Control with Power Switched Confirmation

Hardwire PTO Control with Confirm Switched to Power		
From	To	Description
SW01 - PTO Switch	Pin 14 - TCM Body Conn. (Return)	Request
Pin 15 - TCM Body Conn. (Voltage)	SW02 - PTO Switch	Request
Batt Voltage (Fuse Protected)	SW03 - PTO Switch	Request
SW04 - PTO Switch	Pin 30 - PTO Engage Relay	Request
Pin 2 - TCM Body Conn. (Voltage)	Pin 86 - PTO Engage Relay	Engage
Pin 85 - PTO Engage Relay	Pin 5 - TCM Body Conn. (Return)	Engage
Pin 87 - PTO Engage Relay (Voltage)	PTO Air Solenoid	Engage
	PTO Ball Switch	Confirm
PTO Ball Switch (Voltage)	Pin 86 - PTO Confirm Relay	Confirm
	PTO Lamp (+)	Confirm
Pin 87 - PTO Confirm Relay (Ground)	Pin 16 - TCM Body Conn. (Voltage)	Confirm

- Vehicle J1939 Data Link =
- Battery Voltage =
- Switched Ground =
- Solenoid Driver =
- Message/Signal =
- Air Supply =
- Air Exhaust =

All switches shown inactive



FRONT ENGINE PTO

Front engine PTO (FEPTO) is commonly used in mixer, snow plow, and crane applications. When a FEPTO is spec'd on a truck, the cooling module moves up to allow for a shaft to be bolted to the front of the crankshaft and extend out to the front of the truck. The vehicle can be spec'd with a 1350 flange adapter to simplify installing the FEPTO shaft. The frame rails will be extended out to mount a hydraulic pump, snow plow or outriggers. There are options for either a 27.8" or a 22.4" frame extension. See Figures 8-12 to 8-14 for frame extension dimensions.

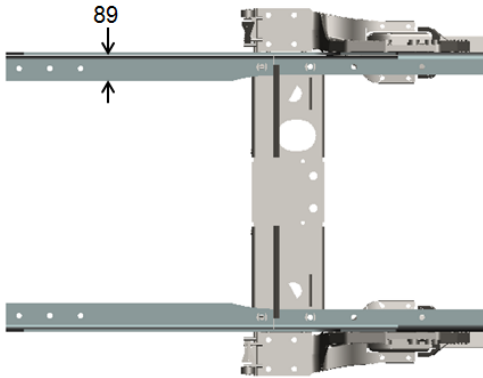


FIGURE 8-12. Frame Extension Top View

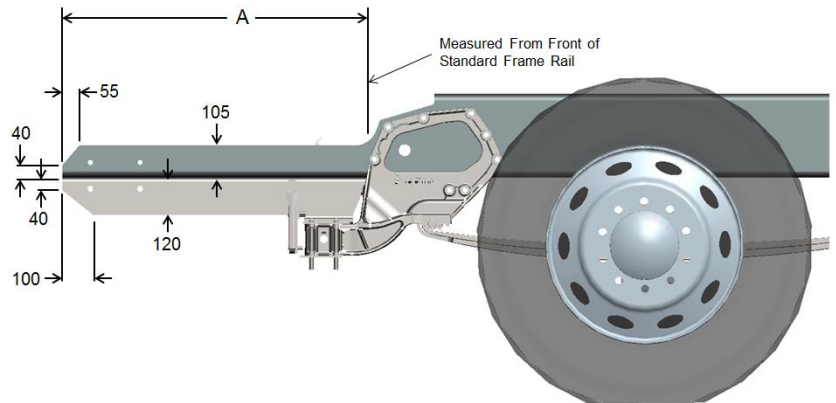


FIGURE 8-13. Frame Extension Left Hand View

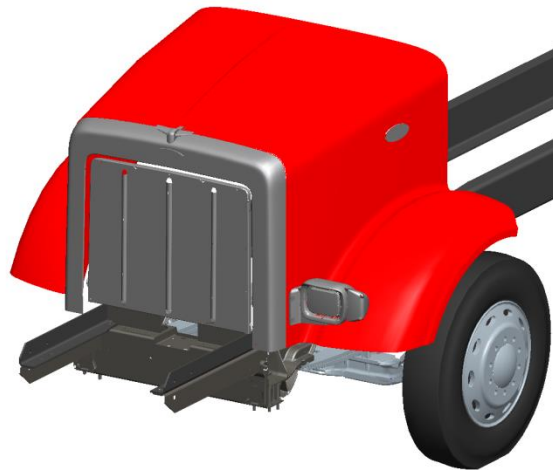


FIGURE 8-14. Frame Extension

REAR ENGINE PTO

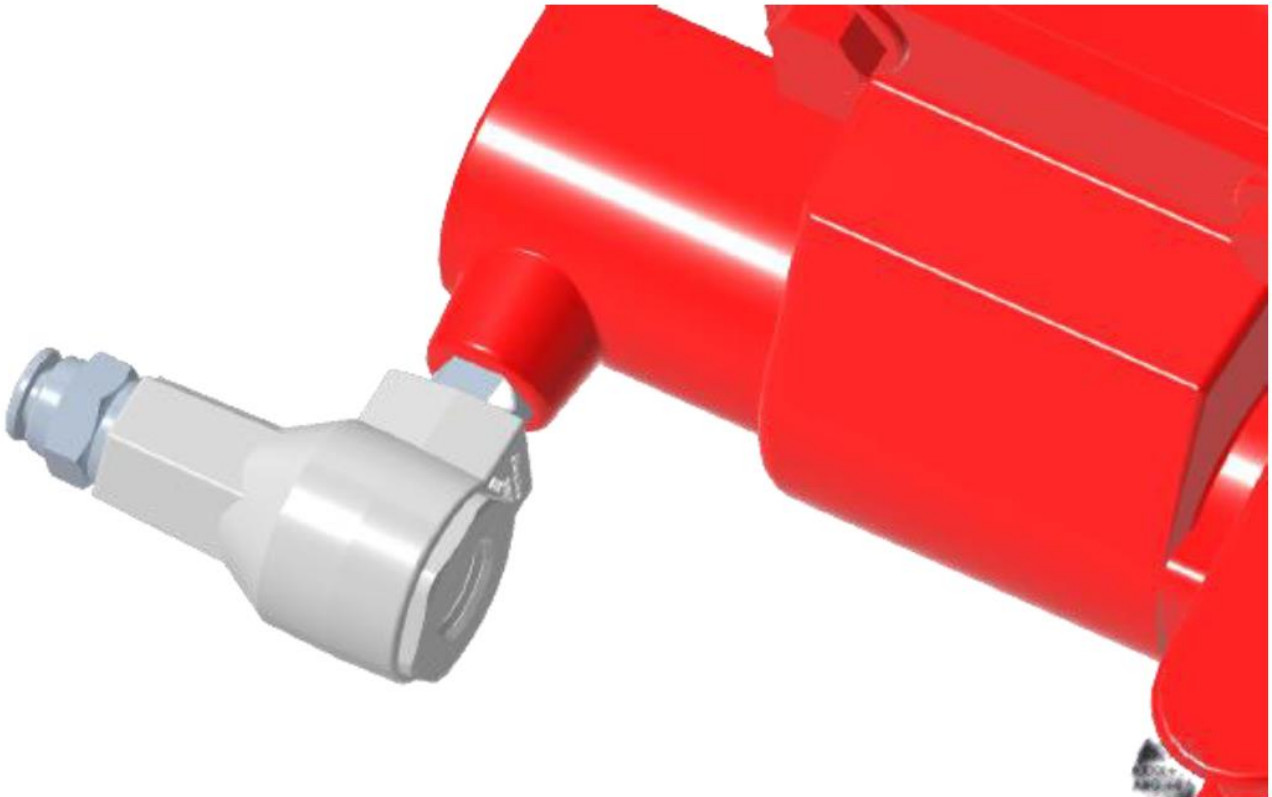
Rear Engine PTO (REPTO) is commonly used in cement mixer and feed lot applications. The REPTO is driven off the rear gear train on the engine. There is a 1350/1410 flange on the bell housing in the 1 o'clock position that can be used to attach a hydraulic pump or driveshaft. The REPTO flange will always be turning when the engine is running and the output rotation is the same as the engine. The Cummins ISL9 and PX-9 REPTO turns at a rate of 1.15:1. The Cummins ISX-12N REPTO turns at a rate of 1.32:1. The Paccar MX-13 REPTO turns at a rate of 1.2:1. The Paccar MX-11 REPTO turns at a rate of 1.3:1.

PTO QUICK EXHAUST VALVE

Depending on the PTO being used, it may be beneficial to include a quick exhaust valve onto the air fitting of the air-shift cover. The quick exhaust valve will prevent any backflow of air experienced by the PTO, preventing any oil contamination that may enter the EOA solenoid air line. It is recommended to install a quick exhaust valve if there is any notice of oil present in the solenoid or if there is evidence of oil making its way in the air line. Oil intrusion into the solenoid may cause improper actuation of the internal armature, preventing the PTO from turning on.

Usage Notes:

1. This application guide is only applicable to PTOs with an air shift option.
2. Inspection of the EOA solenoid and corresponding air line should be made before installation of the quick exhaust valve. If there is evidence of oil contamination, the air line should be flushed and the solenoid should be replaced before installation of the valve.
3. Orientation of the valve does not have a defined angle.
4. The suggested quick exhaust valve for this application is Humphrey SQE2VAI. Other valves might not have the same properties and may not operate as intended.
5. Depending on location of the PTO, a breather vent may need to be added onto the exhaust port of the quick exhaust valve. This will prevent any road contaminants from entering the exhaust side.
6. It is suggested to only use a quick exhaust valve within its normal operating temperature range of -25°F to 180°F.



PTO MOUNTING CLEARANCE

This application guide indicates if a PTO has sufficient clearance to truck components in various mounting configurations. A green "ok" indicates that there is sufficient clearance to other truck components. A red "x" indicates that there minimal or no clearance and the application is not recommended. The truck components investigated in this guide include frame rails, Set Back Front Axle (SBFA) rear shackle, SBFA Front Air Suspension (FAS) rear shackle, over-bell frame brace, coolant return manifold, transmission clutch actuator, and exhaust system components.

Usage Notes:

1. This application guide is only applicable to 2.1M trucks.
2. Only the specified PTO configurations have been analyzed.
3. Horizontal crossover exhaust limits access behind PTO's for shaft drives and other PTO attachments.
4. Eaton FR transmissions require the use of a 30° adapter when installing Chelsea or Muncie transmission PTO's in the right hand position.
5. Eaton RT & Ultrashift Plus transmissions require the use of a 49° adapter when installing Chelsea transmission PTO's in the right hand position.
6. Eaton RT & Ultrashift Plus transmissions require the use of a 55° adapter when installing Muncie transmission PTO's in the right hand position.
7. Eaton transmissions require the use of a 6 to 8 Bolt adapter when installing a 6 bolt PTO in the bottom position.

2.1M PTO MOUNTING CLEARANCE CHARTS

10-Bolt PTO's for Allison Transmissions			4000 series		3000 Series - 1 & 8 Housing		3000 Series - 4 & 8 Housing	
Brand	PTO	Truck Model	1 o'clock	8 o'clock	1 o'clock	8 o'clock	4 o'clock	8 o'clock
Chelsea	267-M3XK	All	x	x	ok	x	x	x
	267-M5XK	All	ok	ok	ok	x	ok	ok
	280-B5RK	579-123/567-121	ok	ok	ok	x	ok	ok
		579-117/567-115	ok	x	ok	x	ok	ok
	870X-B3RS	All	ok	x	ok	x	x	x
	870X-B5RS	All	ok	x	ok	x	x	x
	890-B5XS	All	ok	x	ok	x	x	ok
Muncie	CD05-M3CX	All	ok	ok	ok	ok	ok	ok
	CD10-M1CX	579-123/567-121	ok	x	ok	x	ok	ok
		579-117/567-115	ok	x	ok	x	x	ok
	CD10-M3CX	579-123/567-121	ok	x	ok	x	ok	ok
		579-117/567-115	ok	x	ok	x	x	ok
	CS10-H1CX	All	x	x	x	x	x	x
	CS10-H3CX	All	x	x	x	x	x	x
	MC1-HX3	579-123/567-121	ok	ok	ok	x	ok	ok
		579-117/567-115	ok	ok	ok	x	x	ok
	MC1-HX1	All	ok	ok	ok	x	x	x
	CS41-H1EX	All	ok	x	x	x	x	x
CS41-H3CX	All	ok	x	x	x	x	x	

10-Bolt PTO's for Allison Transmissions

6 & 8 Bolt PTO's for Eaton Transmissions

Brand	Style	PTO	FR		RT		Ultrashift Plus	
			Bottom	Right	Bottom	Right	Bottom	Right
Chelsea	6-Bolt	230-V3XD/XK	ok	ok ^{1,2,3}	ok	ok ^{1,2,3}	ok	ok ^{1,2,3}
		236-V3XD/XK	Recomend 238	ok ^{1,2,3}	Recomend 238	ok ^{1,2,3}	Recomend 238	ok ^{1,2,3}
		270-B3XD/XK	ok	ok ^{1,2,3}	ok	ok ^{1,2,3}	ok	ok ^{1,2,3}
		340-V5XD	ok	ok ^{1,2,3}	ok	ok ^{1,2,3}	ok	ok ^{1,2,3}
		442-V3XK	Recomend 489	ok ^{1,2,3}	Recomend 489	ok ^{1,2,3}	Recomend 489	ok ^{1,2,3}
		660-V3XK	Recomend 680	ok ^{1,2,3}	Recomend 680	ok ^{1,2,3}	Recomend 680	ok ^{1,2,3}
	8-Bolt	238-V3XD/XK	ok	n/a	ok	n/a	ok	n/a
		489-V3XK	ok	n/a	ok	n/a	ok	n/a
		680-V3XK	ok	n/a	ok	n/a	ok	n/a
		823-V3XS	ok	n/a	ok	n/a	ok	n/a
		880-V3XS/XV ⁴	ok	n/a	ok	n/a	ok	n/a
		885-V3XS ⁴	ok	n/a	ok	n/a	ok	n/a
Muncie	6-Bolt	CS6-P1BX/KX	Recomend CS8	ok ^{1,2,3}	Recomend CS8	ok ^{1,2,3}	x	ok ^{1,2,3}
		SH6-P1BX/KX	Recomend SH8	ok ^{1,2,3}	Recomend SH8	ok ^{1,2,3}	x	ok ^{1,2,3}
		TG6-P1BX/KX	Recomend TG8	ok ^{1,2,3}	Recomend TG8	ok ^{1,2,3}	Recomend TG8	ok ^{1,2,3}
	8-Bolt	828-U1CX/EG	ok	n/a	ok	n/a	x	n/a
		CS8-P1BX/KX	ok	n/a	ok	n/a	ok	n/a
		SH8-P1BX/KX	ok	n/a	ok	n/a	ok	n/a
		TG8S-P1BX/KX	ok	n/a	ok	n/a	ok	n/a

6 and 8-Bolt PTO's for Eaton Transmissions

Notes:

- 1) Not available with Front Air Leaf Suspension.
- 2) Not available with Right Hand behind Fairing Exhaust Systems.
- 3) Restricted PTO access with RH Cab Step Assembly DPF-SCR exhaust systems with Vertical BOS tailpipes or RH Horizontal Tailpipe below rail.
- 4) The Optional Hydraulic Clutch Orientation must be used with this PTO.

Dual PTO Compatibility for Eaton Transmissions

		Chelsea							Muncie							
		RH (6-Bolt) PTO's														
Model	RT			FR			Ultrashift+		Model	RT		FR		Ultrashift+		
	230/236-V3	340X-A5	442/660-V3	230/236-V3	340X-A5	442/660-V3	340X-A5	442/660-V3		CS/SH6-A1	TG6-A1	CS/SH6-A1	TG6-A1	CS/SH6-A1	TG6-A1	
LH (6 & 8-Bolt) PTO's	230/236-V3	S	S	S	S	S	S	ok	ok	8285-Q1	S	S	S	S	ok	ok
	238-V3	S	S	S	S	S	S	ok	ok	CS/SH8-A1	S	S	S	S	ok	ok
	340X-A5	S	S	S	S	S	S	ok	ok	TG85-A1	S	S	S	S	ok	ok
	442/660-V3	S	S	S	S	S	S	ok	ok							
	489/680-V3	S	S	S	S	S	S	ok	ok							
	823-V3	S	S	S	S	S	S	ok	ok							
	880-V3	x	x	O	x	O	x	ok	ok							
	885-V3	x	x	O	x	O	x	ok	ok							

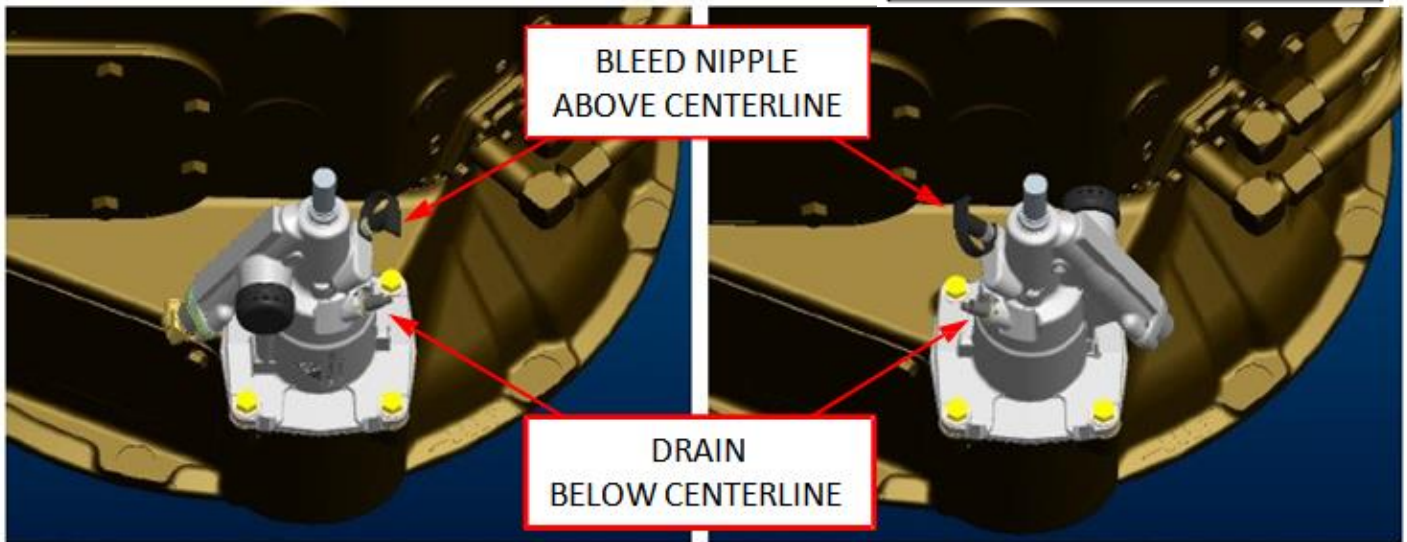
S = Standard Hydraulic Clutch Actuator Configuration
 O = Optional Hydraulic Clutch Actuator Configuration

Dual PTO Compatibility for Eaton Transmissions

Note:
 The actuator should not be flipped upside down to achieve PTO clearance.

1. Bleed nipple should always be above centerline.
2. Drain should always be below centerline.

HYDRAULIC CLUTCH ACTUATOR CONFIGURATIONS
 (Only used with 2.1M models with Eaton FR or RT transmissions)



Standard Configuration
 Air assist connection faces driver's side
 Used with all but Chelsea 880 and 885 PTOs

Bottom Mount PTO Provisions
 Air assist connection faces passenger's side
 Used with Chelsea 880 and 885 PTOs

MX PTO MODE CONTROL (PMC)

MX PTO Mode Control (PMC) includes features, limits, and protections that are active in PTO Mode. It also includes PTO Speed Control (PSC) functionality that includes a variety of useful ways to control engine speed during PTO operation.

Reference the VECU Programming Guide for detailed information on PTO Mode Control configuration, functionality and usage.

MX PTO MODE ACTIVATION

There are three ways to activate PTO Mode. PMC parameter(s) must be enabled on the vehicle in order for PTO Mode to activate.

- Active feedback of physical PTO engagement
 - Trucks with factory installed PTOs or that are coded for Customer Installed PTOs will come prewired to receive the PTO engaged signal.
- Active PTO Mode Switch
 - The PTO Mode Switch can be configured at the time of order or in the aftermarket. The PTO Mode switch can be used to activate PTO Mode independent of PTO engagement and may be useful for trucks with FEPTOs or REPTOs that need the ability to use PMC features.
- PTO Mode Request over the CAN bus



PTO Mode Switch

MX PTO MODE CONTROL LOCATION

Vehicles can be configured to control PTO functionality from a cab location and/or a remote location (outside the cab). Most PTO Mode Features and Interlocks have a cab station option and a remote station option. This allows a vehicle to be configured for two unique jobs. For example a vehicle could be configured for mobile cab station operation with one set of limits and stationary remote station operation with a different set of limits.

If a vehicle is configured for both cab and remote PTO control, a PMC Location Switch must be installed on the dash. This switch will determine which set of PTO Mode Features to apply and which control location to use.



PMC Location Switch

MX PTO MODE FEATURES

The following features and configurations are available when PTO Mode is active.

- Cab Accelerator Configurations
 - Disable in PTO Mode
 - Torque Control (Automotive Style)
 - Speed Control
 - Enable in Remote PTO Mode
- Log Time and Fuel in PTO Mode
- Disable Engine Idle Shutdown Timer (EIST) in PTO Mode
- PTO Mode Specific Engine Idle Shutdown Timer (EIST)
- Fan On in PTO Mode
- Adjustable PTO Engine Speed Governor Responsiveness (for light or heavy varying loads)

MX PTO MODE PROTECTIONS AND LIMITS

The following protections and limits are available when PTO Mode is active. Protections and limits are active when PTO Mode is active and will continue to be active until PTO Mode is no longer active.

- Max Vehicle Speed
- Max Engine Torque
- Max Engine Speed – Accelerator Controlled
- Max Engine Speed – Switch Controlled
- Min Engine Speed
- Max Rate of Engine Speed Change

MX PTO SPEED CONTROL (PSC) FEATURES

PTO Mode must be active prior to using PTO Speed Control (PSC) to control engine speed. PSC is available from both the cab station and remote station (see PTO Mode Control Location Section above). In the cab location, cruise control switches and PSC specific switches are used to control engine speed. Equivalent remote station inputs are available (Reference Remote PMC Connections section below).

- + / -
 - Configurable to either command one unique preset when “+” is pressed and a second unique preset when “-” is pressed OR toggle through up to 6 presets.

- Preset 1, 2 & 3
 - 3 Dedicated Presets with the following configuration options.
 - Latch: Hold Preset Speed When Switch is Released
 - Cancel: Cancel PSC When Switch is Released
 - The Remote PTO Inputs for Presets 1, 2 & 3 can be configured to function when Cab PTO Mode is active
 - In some applications, it may be useful to connect the Remote PTO Inputs for Presets 1, 2 & 3 to something other than a hand-operated switch. For example, the inputs can be configured to activate based off PTO engagement, hydraulic pressure or equipment movement.



Dash Switches



Dedicated Preset Switches

MX PTO SPEED CONTROL INTERLOCKS

PTO Speed Control Interlocks cancel PSC when active. There is an option to disable the accelerator when a PSC interlock is active. When a PSC interlock is active the engine speed will return to the Minimum Engine Speed in PTO Mode or the engine speed commanded by the accelerator if applicable. An active PSC interlock does not disable PMC protections and limits.

The configurable PSC interlocks are listed below.

- Clutch Pressed
- Park Brake NOT Set
- Transmission NOT in Neutral
- Service Brake (Configurable for Pressed or NOT Pressed)
- Custom Hardwired Interlock (Configurable Polarity)

A custom hardwired interlock input is available that will allow a body builder to create a customized interlock for their specific application. This interlock functions for both Cab and Remote Station PSC. Many types of switches such as hand-operated switches, hydraulic pressure switches, equipment position switches, or pressure plate switches can activate the interlock. The switch polarity is configurable which allows the body builder to choose the interlock state if the circuit fails.

PTO SPEED CONTROL ICONS

During PSC operation there will be icons on the digital display that indicate:

- PSC Enabled (white icon) or Active (green icon)
- PSC Control Location (designed by “Cab” or “Remote”)
- PSC target engine speed when active



Cab PTO Active



Remote PTO Active



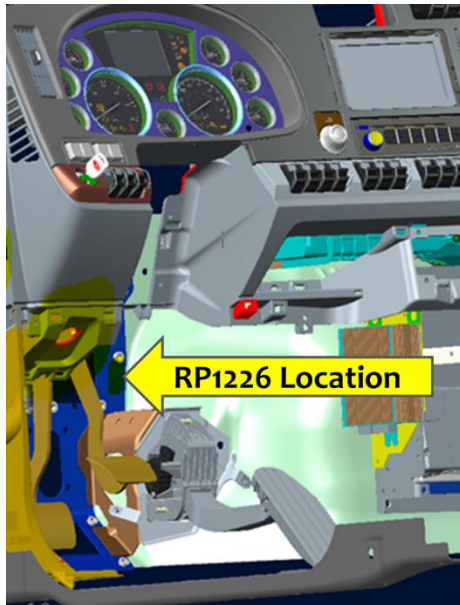
Cab PTO Enabled

REMOTE PMC CONNECTIONS

There are options to control PTO functionality from the following locations.

- Engine Bay – Hardwired option only
- RP1226 Connection in the Cab – CAN bus connection only
- BOC/BOS – Hardwired and CAN bus connections
- EOF – Hardwired and CAN bus connections

There are options available for the body builder to specify controller speeds of 250 kbps or 500 kbps.



MX PTO CAN functionality may be accessed in the cab through the RP1226 connector and remotely through the body connectors K-CAN (E-3375-021) and B-CAN (DTM06-2S-EP10) Connectors.

MX PTO hardwired functionality may be accessed in the engine bay or on the frame through optional 12-Way and 8-Way connectors



12-Way Deutsch Connector



8-Way Deutsch Connector

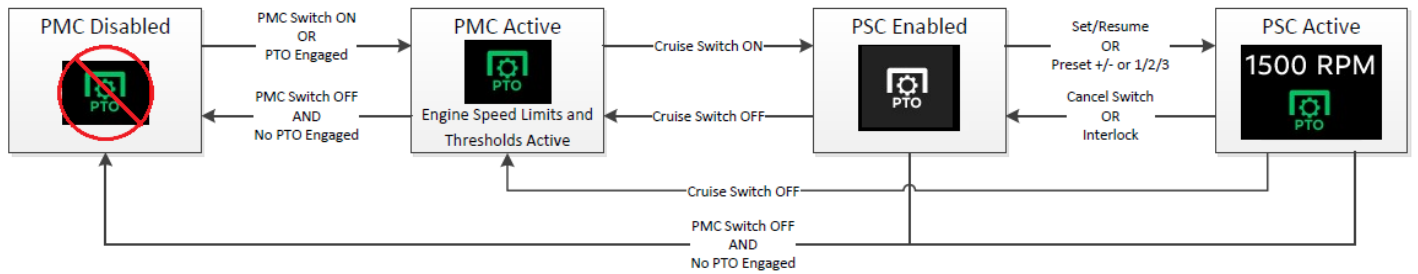


RP1226 Delphi Connector

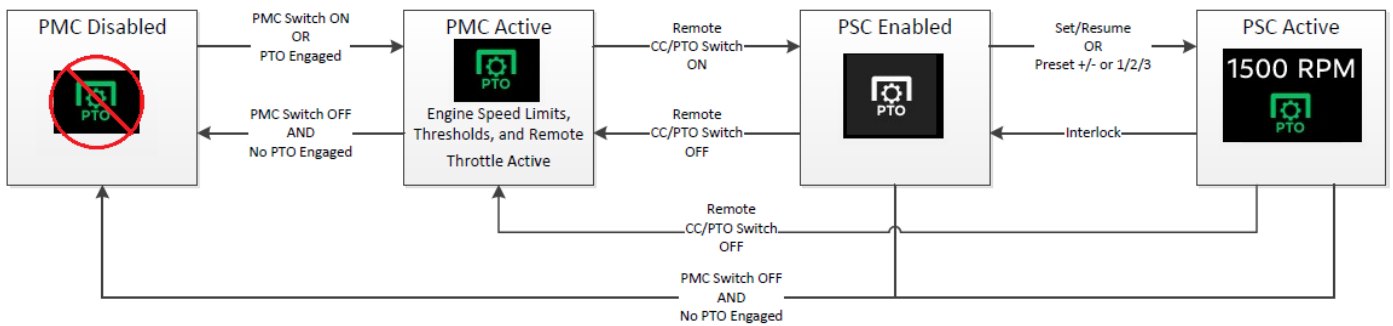
Pin-out information for the PTO connectors can be found in the Electrical Section

PTO MODE CONTROL FLOW CHARTS

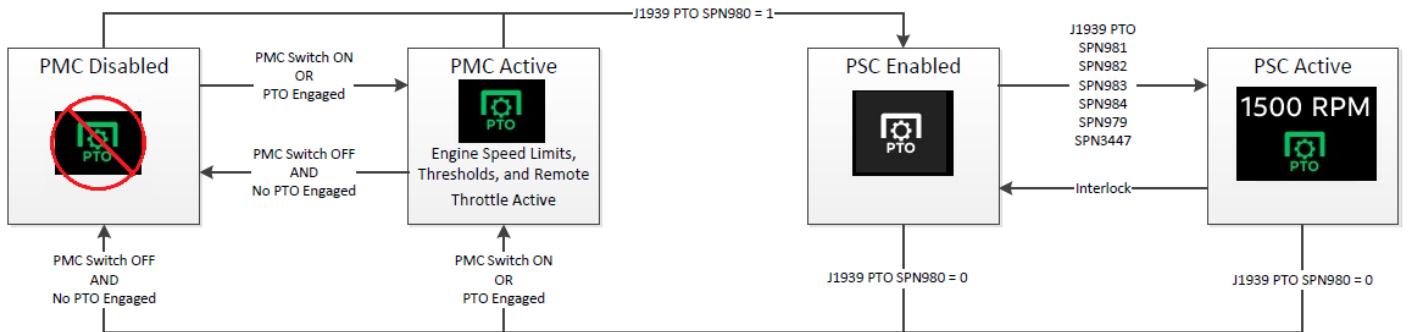
Cab Controls



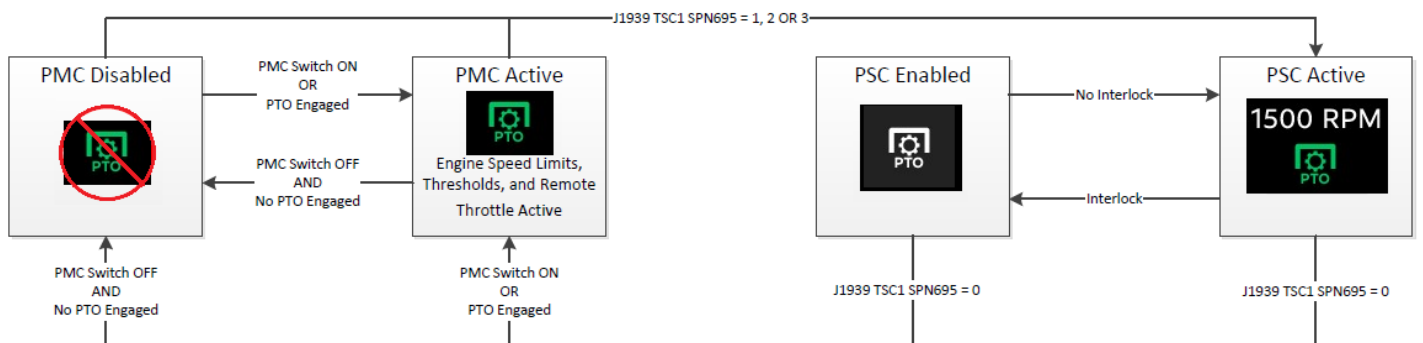
Remote Hardwire Controls



Remote CAN Controls










Remote TSC1 CAN Controls



MX PTO TROUBLESHOOTING GUIDE

The following table is a trouble shooting guide for MX PTO functionality.

SYMPTOM	POSSIBLE CAUSE	SOLUTION
<p>No green PTO cluster telltale (PMC is not active)</p> 	<p>PTO Mode Switch is not installed</p>	<p>Install and apply PTO Mode Switch</p>
	<p>PTO engagement feedback is not provided to standard/optional chassis module</p>	<p>Provide PTO engagement feedback to SCM (PTO#1) and/or OCM (PTO#2)</p>
	<p>PTO ball switch is faulty</p>	<p>Check that PTO ball switch is providing power or ground</p>
	<p>PTO device is not engaging due to air supply solenoid or electric signal not active</p>	<p>*Check EOA parameter settings in PVP *EOH PTOs are configured with parameter P816 *Check popups on driver display for interlock conditions (PTO engagements may be configured with park brake or PTO interlocks dependent on EOA parameter settings, these will result in popups on driver display)</p>
<p>PTO cluster telltale blinks intermittently</p> 	<p>PTO engagement feedback connection is faulty</p>	<p>Check PTO engagement feedback to SCM/OCM</p>
	<p>PMC switch connection is intermittent</p>	<p>Verify PMC switch connection (LIN jumper)</p>
<p>FIC or Cruise Control appears instead of PTO Speed Control on driver display</p>   <p>(when green PTO cluster telltale is present)</p> 	<p>Both Cab and Remote control locations are configured in PVP, but PMC location switch is not installed</p>	<p>Install PMC location switch, or select Cab <u>or</u> Remote control location in PVP</p>
	<p>PTO/CC On/Off switch is not applied</p>	<p>Press/apply the PTO/CC On/Off switch on steering wheel or dashboard (cab controls) or remote station (pin 6 on P197) or via J1939 PTO SPN980 (remote controls)</p>
	<p>CAB and/or Remote PMC is not configured</p>	<p>Enable CAB and/or Remote PMC in PVP and re-flash the VECU (PMC location switch is required if both control locations are configured)</p>

<p>White PTO icon appears, but no green PTO Speed Control icon on driver display</p> 	<p>PTO Speed Control is not active</p>	<p>Activate PTO Speed Control using cab or remote Set/Resume, +/-, Dedicated Preset, or J1939 PTO inputs. See PTO Mode Control Flowcharts in this section.</p>
	<p>PTO Speed Control switches are not enabled</p>	<p>Enabled PTO Speed Control switches P543 (Cab +/-), P610 (Cab Set/Resume), PXXX (Cab Dedicated Preset), P576 (Remote +/-), P611 (Remote Set/Resume, or P568/P569 (Remote Dedicated Preset)</p>
	<p>PTO Speed Control interlock is violated</p>	<p>Check that enabled PTO Speed Control interlocks are satisfied for cab and/or remote controls:</p> <ul style="list-style-type: none"> *Park brake *Service brake active or inactive *Neutral position *Custom interlock *SCR/DEF Level Inducement *Adaptive Cruise Control fault *ABS Braking Event *Stop Engine Lamp
	<p>Current PTO Speed Control location is not selected (when configured for Cab AND Remote control)</p>	<p>Select CAB or REMOTE control location using PMC location switch</p>
<p>Green PTO Speed Control icon on driver display appears, but engine speed will not change</p> 	<p>PMC engine speed slew rates are zero</p> <p>PMC engine torque limit is too low</p> <p>PSC Increment and/or decrement intervals are zero</p> <p>PSC Presets are not enabled or are programmed to the Min Engine Speed in PTO Mode</p>	<p>Change engine speed slew rates to non-zero values</p> <p>Increase engine torque limit</p> <p>Configure increment and/or decrement to non-zero values</p> <p>Enable PSC Presets and program preset values greater than the Min Engine Speed in PTO Mode</p>
<p>Cab accelerator pedal does not control engine speed</p>	<p>Cab accelerator control is not enabled</p>	<p>Enable the accelerator in Cab Control (P545), and/or Remote Control (P577) in PVP and re-flash the VECU</p>

Remote accelerator pedal does not control engine speed	PTO Mode Control is not active	Activate PTO Mode Control using PMC switch, provide PTO engagement feedback, or over the CAN bus
	Remote accelerator control is not enabled	Enable the remote accelerator control (P578) in PVP and re-flash the VECU
	PTO Speed Control interlock is violated	Check that enabled PTO Speed Control interlocks are satisfied: *Park brake *Service brake *Neutral position *Clutch position *Custom interlock *SCR/DEF Level Inducement *Adaptive Cruise Control *ABS Braking Event *Stop Engine Lamp
	Remote accelerator pedal has not returned to the fully released/zero position after entering PTO Mode Control	Calibrate/release remote accelerator to zero position
J1939 PTO CAN message does not affect PTO Speed Control	Remote controls are not configured and/or selected	Configure Remote PTO Mode Control and ensure it is selected using PMC Location switch (if Cab and Remote are both enabled)
	Body controller source address is not equal to 7d or 33d (0x21)	Configure body controller source address equal to 7d or 33d (0x21)
	J1939 PTO SPN980 (PTO Governor Enable Switch) is not equal to 1 (enabled)	Send J1939 PTO SPN 980 equal to 1
J1939 TSC1 CAN message does not affect PTO Speed Control	Remote controls are not configured and/or selected	Configure Remote PTO Mode Control and ensure it is selected using PMC Location switch (if Cab and Remote are both enabled)
	Body controller source address is not equal to 7d or 33d (0x21)	Configure body controller source address equal to 7d or 33d (0x21)
	J1939 TSC1 SPN695 (Override Control Mode) is equal to zero	Send J1939 TSC1 SPN695 equal to 1, 2 or 3
	J1939 TSC1 SPN3350 (TSC1 Control Purpose) is not 2 (PTO Governor)	Send J1939 TSC1 SPN3350 equal to 2

This page is intentionally left blank.

SECTION 9 AFTERTREATMENT

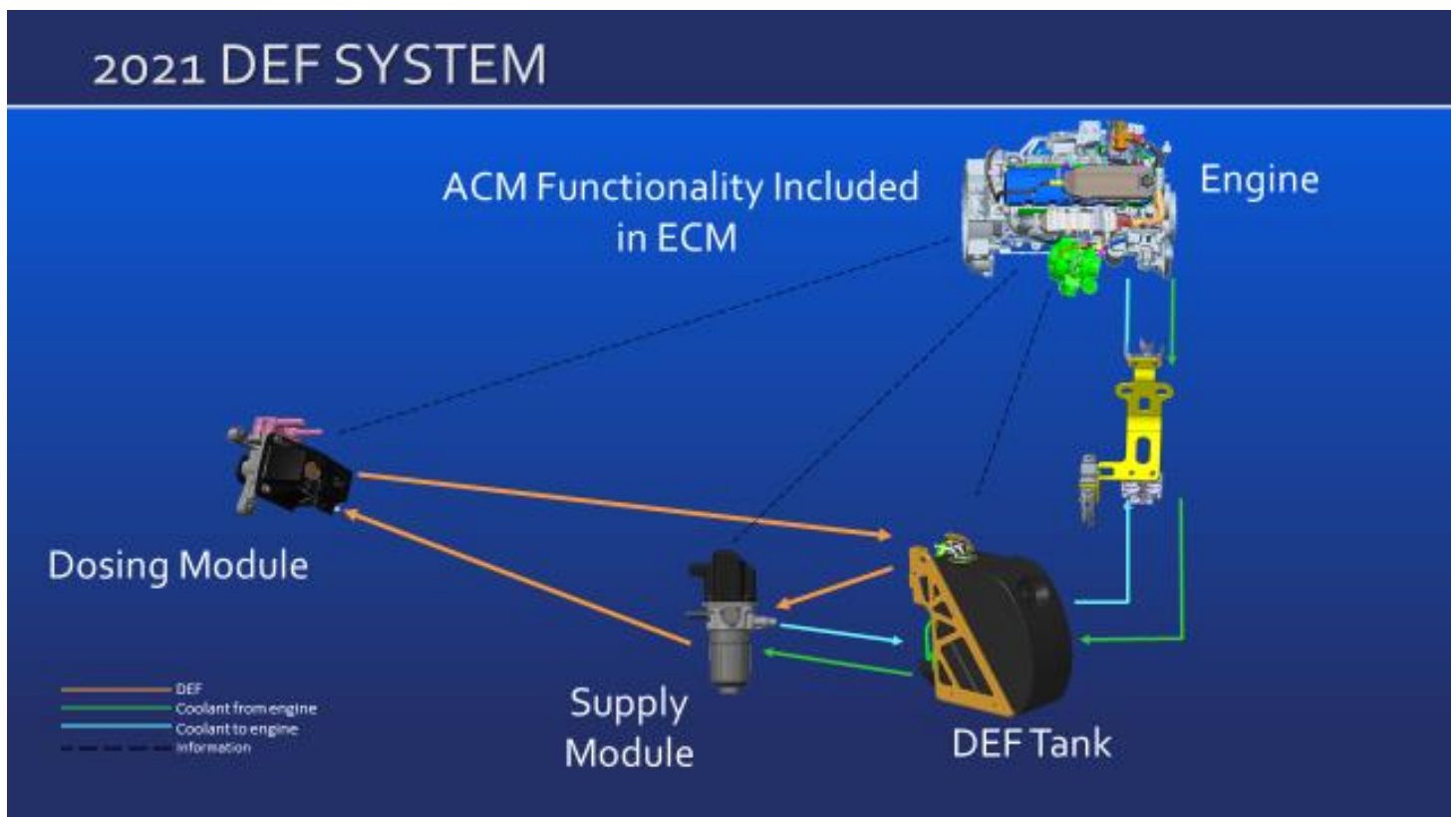
INTRODUCTION

The following section is designed to give you information regarding the after-treatment systems on Peterbilt chassis.

All Peterbilts equipped with 2021 emission level engines will utilize Selective Catalyst Reduction (SCR). SCR is a process in which Diesel Exhaust Fluid (DEF) is injected into the exhaust downstream of the engine. DEF is converted to ammonia by the heat of the exhaust system. Inside of the SCR canister a catalyst causes a chemical reaction to occur between the ammonia and NOx, turning it into water and nitrogen. For more information on the specific details of how SCR works, please contact your local Peterbilt dealer.

DEF SYSTEM SCHEMATIC

On most Peterbilt chassis the DEF Supply Module (or pump) is integrated into the DEF tank. Peterbilt does not allow relocation of this pump. The following schematic details how the DEF lines route to the after-treatment system.



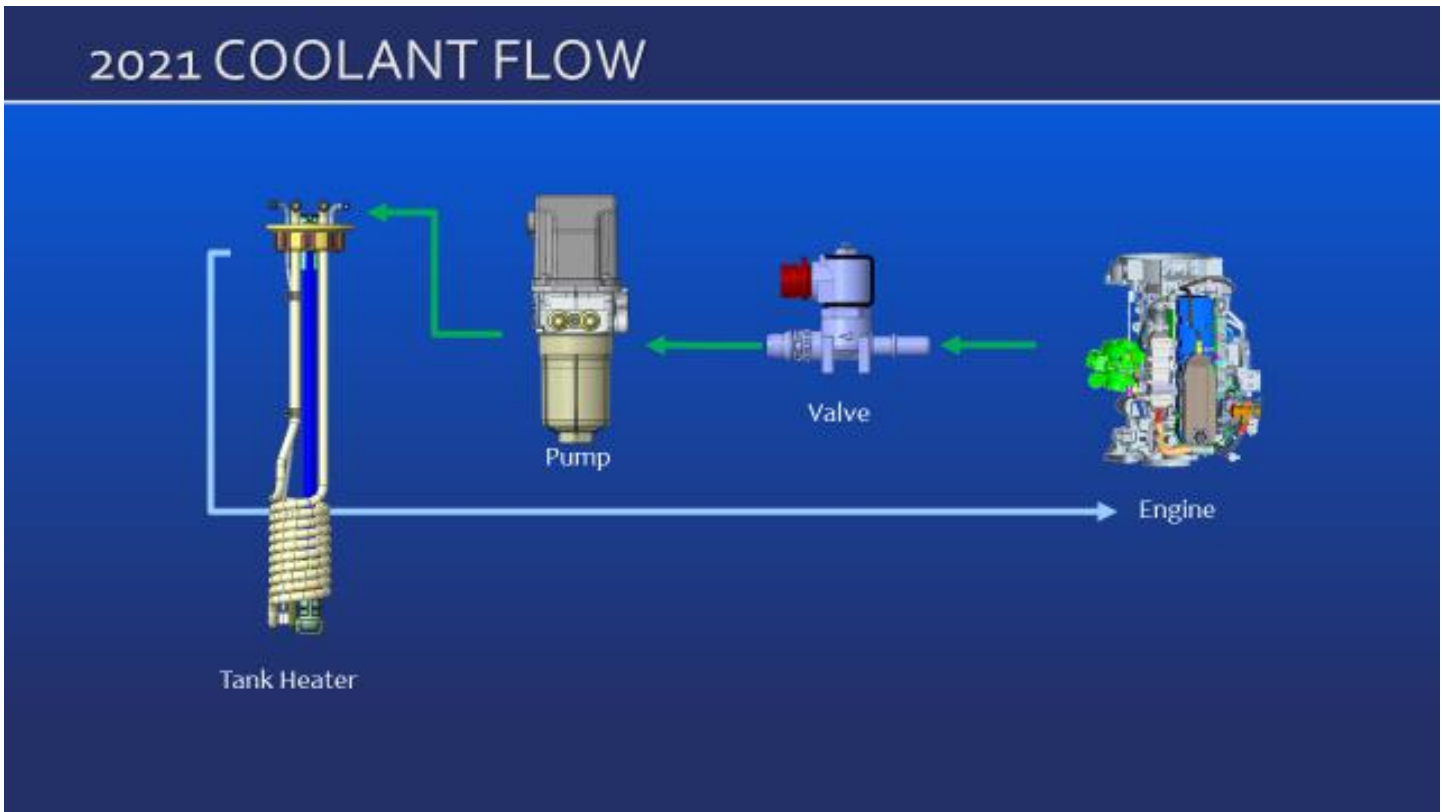


FIGURE 9-1. DEF System Schematic

DEF will freeze at approximately 11° F. In order to keep DEF from freezing all tanks will be heated with engine coolant. The following schematic shows the routing of these lines. It is critical that the system is not compromised in any manner.

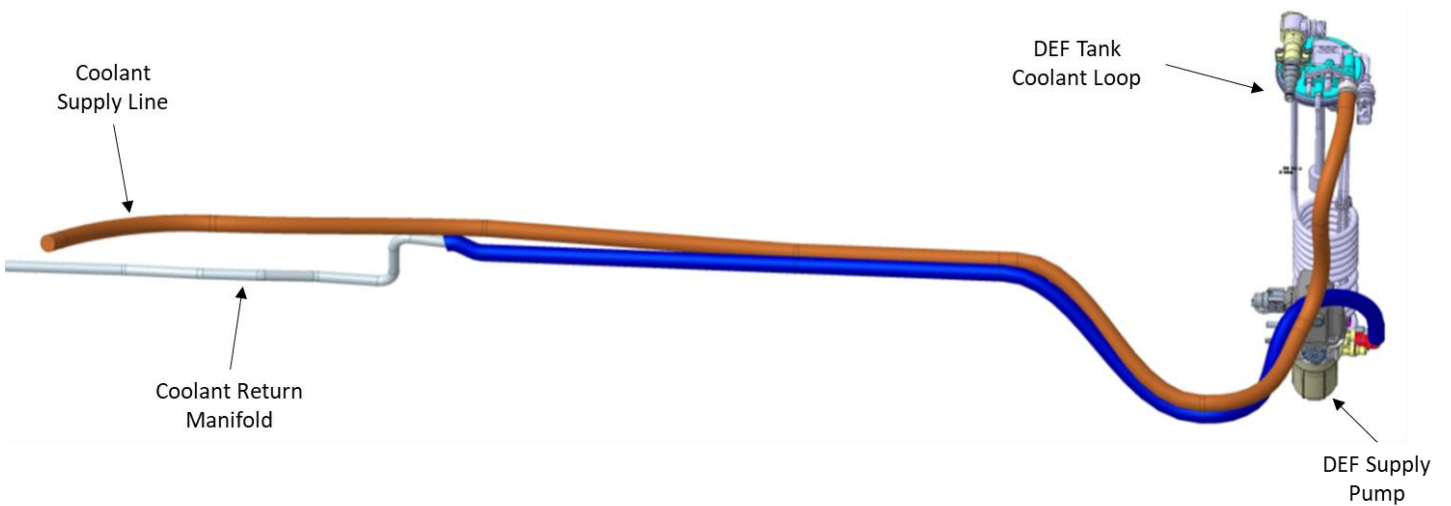


FIGURE 9-2. DEF Coolant Routing Schematic

GENERAL GUIDELINES FOR DEF SYSTEM

The installation of the DEF tank is a critical component of the after-treatment system. While Peterbilt does not recommend relocating the DEF tank, there are applications and body installations that will require it. The guidelines below must be strictly followed by any entity relocating the tank. Failure to follow the guidelines completely and accurately may result in engine shut-down situations.

PACCAR-approved DEF hoses are required when retrofitting for system to function properly. The use of unapproved hoses for DEF lines will void warranty and may cause engine shut-down situations. The DEF pump (or Supply Module) cannot be relocated from the DEF tank.

Peterbilt offers a variety of DEF tank sizes to meet every application. The DEF tank volume is regulated by the E.P.A. Peterbilt advises against modifying the tank volume after the truck has been delivered from the factory. These are estimated nominal (published) maximum fuel capacities for various DEF tanks, engines, and fill ratios. Dosing rates for these calculations are also shown.

TABLE 9-1. DEF Fuel Ratios

DEF Tank	FUEL VOLUME ALLOWED (USABLE GALLONS)			
	Standard DEF-Fuel Ratio (2:1)		Minimum Recommended DEF-Fuel Ratio (1.25:1), No Derates	
	X15	MX-11/ MX-13/ PX-9	X15	MX-11/MX-13/ PX-9
SMALL	121	145	150	180
MEDIUM	203	244	250	300
LARGE	257	308	317	380
MLU MEDIUM AERO	172	207	213	256
MLU LARGE AERO	230	276	285	340
Rectangular	68	82	85	102

INSTALLATION REQUIREMENTS AND DIMENSIONS FOR DEF SYSTEM

When relocating any DEF system components, the locations must meet the guidelines below. Failure to comply may result in non-conformance to EPA standards and engine shutdown.

With all relocating procedures, general clearances and routing guidelines must be followed. See section 10 of this manual for general routing guidelines.

When relocating the components the maximum pressure DEF hose length, from Supply module to Dosing Module, is 5.5 meters (216.5").

Maintain a minimum of 3" clearance to shielded exhaust components when routing DEF lines to prevent possible melting.

If the DEF tank is relocated the coolant lines will need to be modified. During this process if the tank is moved forward on the chassis (closer to the engine) it is necessary to remove excess coolant lines and maintain the original routing path. If the tank is moved rearward on the chassis the additional length of cooling line required to complete the installation must be installed in a straight section of the existing coolant routing lines. This process minimizes the change in coolant flow by mitigating changes in restrictions. Changes in restriction are added with excessive line length and bends. Work with your local Peterbilt dealer if you are unsure about the coolant line modifications.

ROUTING TO THE DOSING MODULE (INJECTOR)

A DEF pressure line “trap” is no longer required after EPA 2013 emissions level engine. The dosing module (injector) no longer needs to be purged and relative heights of components are no longer critical. See Figure 9.3 below for typical routing with RHUC exhaust and LH DEF tank shown.

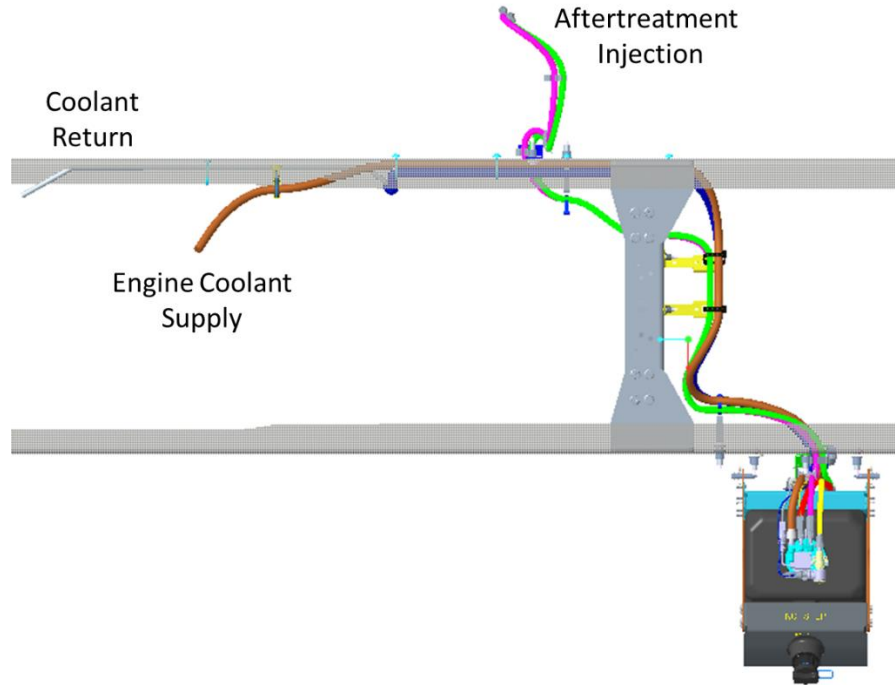


FIGURE 9-3. Routing for DEF and Coolant Lines

DEF SUPPLY MODULE MOUNTING REQUIREMENTS

The Supply Module (or Pump) standard mounting location is on the DEF tank assembly. Body builders may need to relocate this component, and should follow the location and length restrictions above. Additionally the mounting and the orientation of the Supply Module must not exceed 45° from vertical in any direction. The supply module should be located in a space that will minimize its vulnerability to road debris. Serviceability of the supply module filter should be considered, and adequate space for filter access and removal should be given (at least 5”).

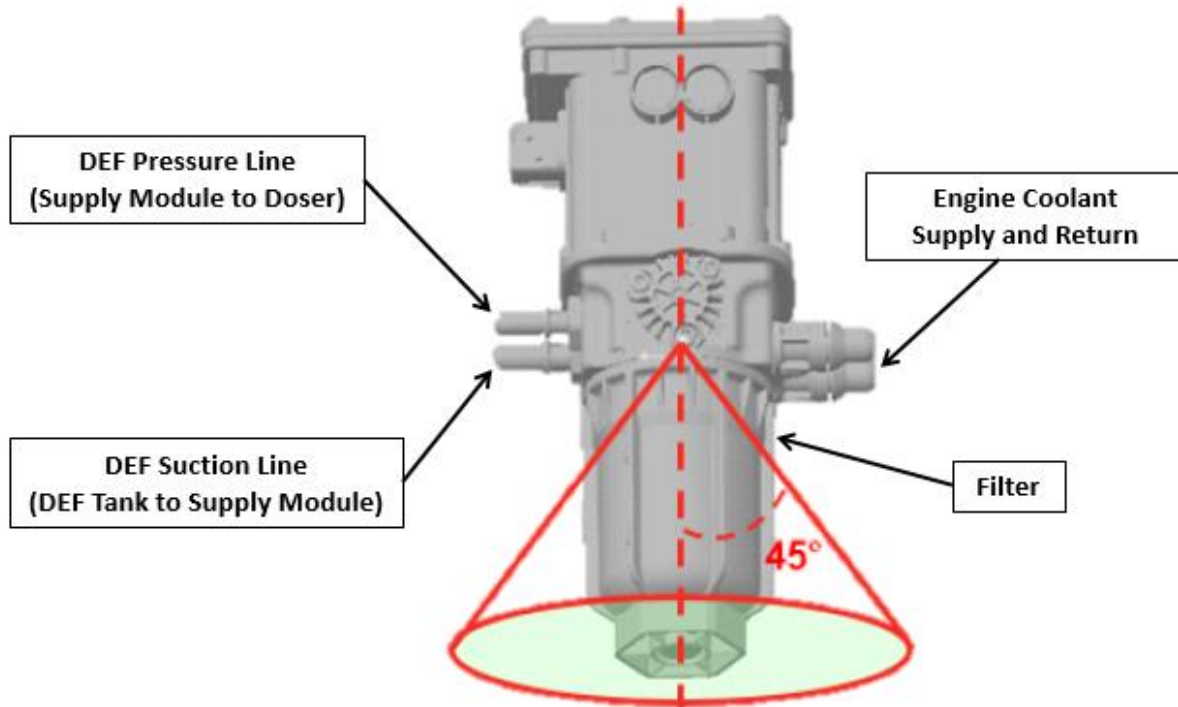


FIGURE 9-4. Supply Module Mounting Angle Limits

This page is intentionally left blank.

SECTION 10 ROUTING

INTRODUCTION

This section specifies the general requirements for securing hoses and electrical wires to present an orderly appearance, facilitate inspection and maintenance, and prevent potential damage to these lines.

DEFINITIONS

Bundle: Two or more air, electrical, fuel, or other lines tied together to form a unitized assembly.

Clamp: A cushioned rigid or semi-rigid, anti-chafing device for containing the bundle and securing it to the frame or other structural support. Standard clamps have a black elastomer lining. High temperature clamps (e.g., those used with compressor discharge hose) have a white or red elastomer lining (most applications for these are called out in the bills of material). An assembly of two clamps fastened together to separate components is referred to as a “butterfly” clamp. Note: the metal portion of clamps shall be stainless steel or otherwise made capable, through plating or other means, of passing a 200 hour salt spray test per ASTM B117 without rusting.

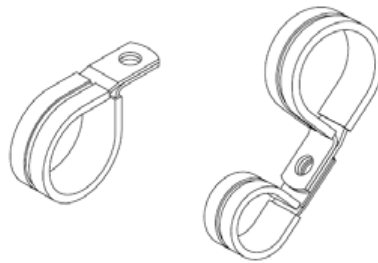


FIGURE 10-1. Clamp and Butterfly Clamp

Butterfly Tie: A tough plastic (nylon or equivalent) locking dual clamp tie strap used to separate bundles or single lines, hoses, etc. These straps must be UV stable. (Tyton DCT11)

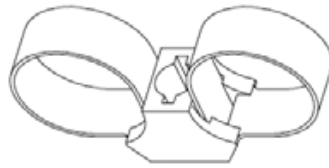


FIGURE 10-2. Butterfly Tie

Tie Strap: A tough plastic (nylon, or equivalent) locking strap used to tie the lines in a bundle together between clamps or to otherwise secure hoses and wires as noted below. These straps must be UV stable.

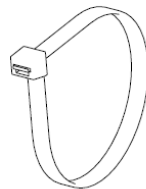


FIGURE 10-3. Tie Strap

Heavy Duty (HD) Mount: A black rigid device used for securing a tie strap to the frame or other structural support. Mounts are made of impact modified, heat stabilized UV resistant nylon capable of continuous operation between temperatures 220°F (150°) and -40°F (-40°).

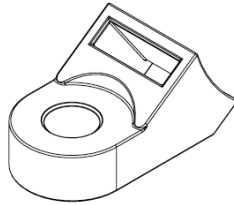


FIGURE 10-4. Heavy Duty (HD) Mount.



NOTE: Heavy duty tie straps 0.50in (12.7mm) wide (Tyton T255ROHIR or similar) shall be used whenever HD mounts are specified, although 0.25in (6.4mm) tie straps may be used in some specified applications.

Excess of material: More than 3 inches of slack for every 14 inch section of hose routing, except for air conditioner hoses.

Shortness of material: Less than 1 inch of slack on a 14 inch section of hose routing.

ROUTING REQUIREMENTS

Electrical Wiring

- Electrical ground wire terminals must be securely attached and the complete terminal surface must contact a clean bare metal surface. See R414-558 for grounding wire connection practice. Apply electrical contact corrosion inhibitor Nyogel 759G grease (made by William F. Nye, Inc., New Bedford, MA) per R414-558.
- Don't bend wires or use tie straps within 3 inches (75 mm) of (connected) wire connectors or plugs.
- Electrical wiring must be routed so that other components do not interfere with it
- Electrical wiring must be routed away from moving components so that at least 13.0 mm (0.5 in.) of clearance exists when the component is in operation and at maximum limits of the component's travel
- Electrical wiring must be protected in the locations they are routed
- Electrical wiring must be routed to avoid heat sources
- Electrical wiring must be secured to a crossmember when going from one frame rail to the other
- When crossing other components, electrical wiring must have a covering of convoluted tubing, PSA tape, or must be separated from the component with a standoff or butterfly clamp
- Electrical wiring must not be routed directly over a sharp edge unless separated from the edge by a clip, standoff bracket, or similar spacing feature that prevents any risk of chafing or cutting
 - Alternatively, the installation of windlace applied to the edge along with PSA tape or convoluted tubing on the harness is acceptable
- Electrical wiring must be routed in a way that will not place strain on connectors.

Wires in Bundles

Electrical wires (other than the exceptions covered below) running parallel with air or coolant hose bundles, may be included in the bundle if they are isolated from the hoses with a covering of convoluted plastic tubing.

Exceptions:

Battery cables (including jump start cables) may be bundled with or tied to the charging wire harness. They shall not be bundled with or tied directly to any other components, including hoses, wires, or bundles. They shall be separated from other routed components using butterfly ties at intervals not exceeding 14 inches (356 mm). Battery strap (W84-1000) tie down shall be used without exception to secure battery cables to frame mounted or other major component (e.g. engine, transmission, etc.) mounted standoffs at intervals not exceeding 14 inches (356 mm). The (positive) battery cable shall be covered with convoluted plastic tubing from terminal to terminal.

110/220 volt wires for engine heaters, oil pan heaters, transmission oil heaters and battery pad warmers, shall not be included in any hose/wire bundle with a fuel hose. Individual heater wires not in a bundle shall be separated from other components by using butterfly clamps or butterfly ties at intervals not exceeding 14 inches (356 mm). Heater wires with a secondary covering shall be covered with convoluted tubing whether they are in bundles or not.

Wires Crossing Other Components

Electrical wires crossing over other components, such as lines, bolt heads, fittings, engine components lifting eyes, engine block, cylinder head, etc., close enough to rub shall be isolated with a covering of convoluted tubing and separated from the component by using butterfly clamps, butterfly ties, or plastic sheathing. 110/220 volt engine heater wiring shall be installed with butterfly ties or butterfly clamps

Piping

Use no street elbows in air brake, water, fuel, or hydraulic systems unless specified on the piping diagram and the build instructions.

Use no elbows in the air brake system unless specified on the air piping diagram and the build instructions.

Hoses Crossing Components

Hoses crossing over other components close enough to rub shall be protected with a secured covering of convoluted plastic tubing (part number K344-813), another section of hose, or plastic sheathing (part number K213-1312). The usage of butterfly ties, or butterfly clamps are also recommended.

Air Compressor Discharge Hoses

Wires or hoses shall not be tied to the high temperature air compressor discharge hose. Hoses and wires may be routed across the air compressor discharge hose at a distance of 18 inches (457 mm) or greater from the compressor discharge port. In this case the crossing hoses and wires shall be "butterfly" clamped to the air compressor discharge hose and covered with convoluted tubing at the clamp point (use high temperature clamps on the compressor hose).

Bundles

HD mount and tie strap, or clamp shall be located at intervals not to exceed 14 inches (356 mm) along the bundle.

Regular tie straps shall be located at intervals not to exceed 7 inches (178 mm) between HD mount or clamps. Extra tie straps may be used as needed to contain the hoses and wires in the bundle.

Routing of Wires and Hoses near Moving Components

Wires and Hoses shall be routed away from moving components, such as fans, shackle links, drivelines, steering linkages, etc. so that there is at least 0.5 inches (12.7 mm) clearance when the component is operating at its maximum travel limits.

A minimum clearance of 1.0 inches (25.4 mm) shall be maintained between steering axle tires (and associated rotating parts) in all positions and routed components, such as hoses, oil lines, wires, pipes, etc.

ROUTING OF WIRES AND HOSES NEAR EXHAUST SYSTEM

TABLE 10-1. Exhaust – System Clearance

Description	Shielded	Unshielded
Coolant hoses (Silicone, colored)	1" minimum	2" minimum
DEF hose (EPDM)	6" minimum	7" minimum
HVAC hoses, tubing, and hard lines	5" minimum	7" minimum
Electrical wires	6" minimum	8" minimum
Fuel hoses within 15" of the turbo over 15" from the turbo	n/a 2" minimum	4" minimum 3" minimum
Fuel tanks and hydraulic tanks crossing tank parallel to tank end of tank aluminum/ceramic-coated exhaust pipe crossing tank	n/a n/a n/a n/a	2" minimum 2" minimum 1" minimum 1.5" minimum
Air hose nylon wire braid	6" minimum 6" minimum	8" minimum 7" minimum

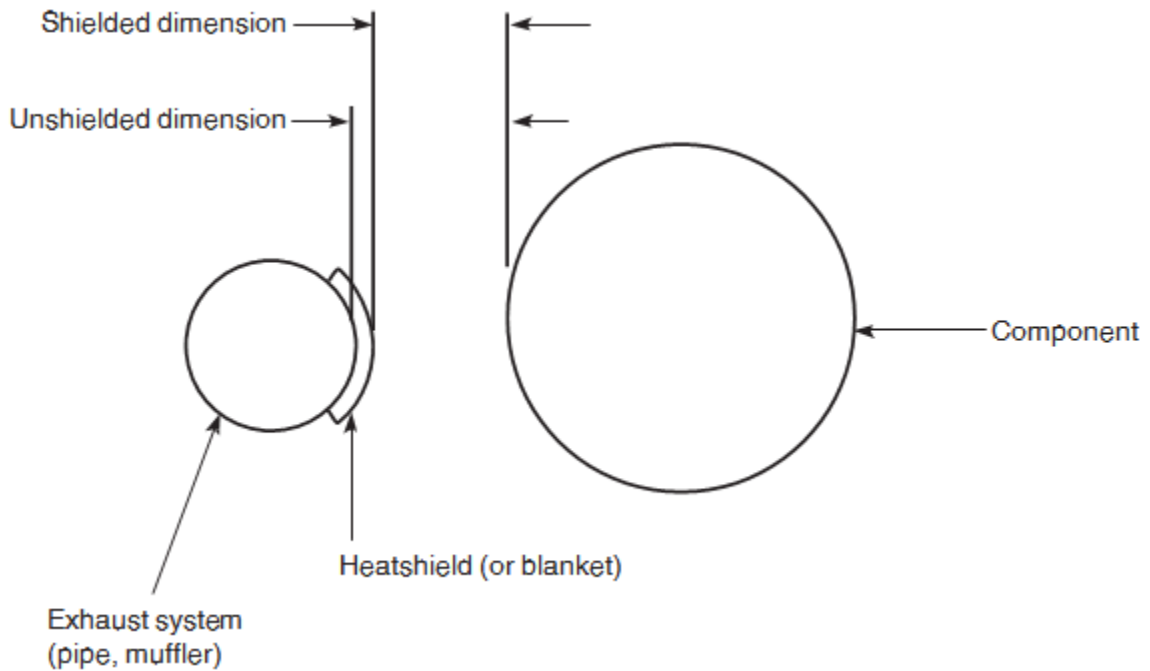


FIGURE 10-5. Definition of measurements.

APPENDICES

Revision Log

Revision Log – 2021 HD Body Builder Manual				
Revision	Author	Date of Publication	Pages #	Description of Changes
000	M. Evans	3/15/2021	n/a	Initial Release
001	M. Evans	7/15/2021	7-6 7-41 7-77 9-3	Added image for RP1226 connectors Added image for 2.1m telltale connector locations Added image for 1.9m telltale connector locations Updates to Table 9-1. DEF to Fuel Ratios
002	M. Evans	12/30/2021	7-80 thru 7-86	Added Terminals and Pins for Body Builder Connections
003	M. Evans	9/15/2022	2-10 2-11	Added Bendix Fusion 2.9 Radar Clearance Added Safety Related Components and Systems
004	M. Evans P. Edgette C. Herrmann B. Bostetter	9/8/23	3-13 8-11 3-109 3-115 7-10 7-3	Corrected cab roof height (was 81.5") Added new page PTO Quick Exhaust valve. Ch. 8 pages were renumbered accordingly. Corrected HD HHP "Y" dimension (was 19.5") Corrected HD HHP "Y" dimension (was 19.5") Corrected pin #5 label on drawing for 8 Pin PTO Input Connector (was labeled pin #2) Removed "CAN BUS SYSTEM OVERVIEW"